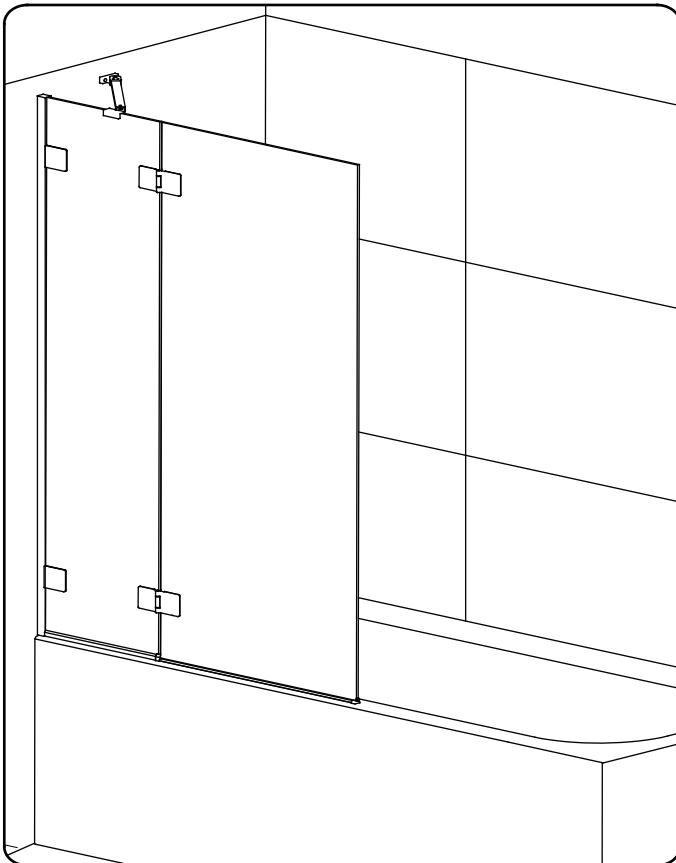


Hinged Bath Screen

INSTALLATION INSTRUCTIONS

www.aquadart.co.uk

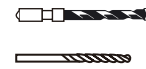
Item Number: AQ6002



Tools Required



Drill



8mm Masonry Drill
2.75mm HSS Drill



Tape Measure



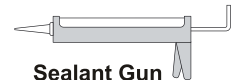
Spirit level



PH2 TYPE
Screwdriver



Pencil



Sealant Gun

Please note hand tools **NOT** supplied.

IMPORTANT

The screen can be constructed either way up, for left or right hand opening.

These instructions assume that installation is done against solid/tiled wall.

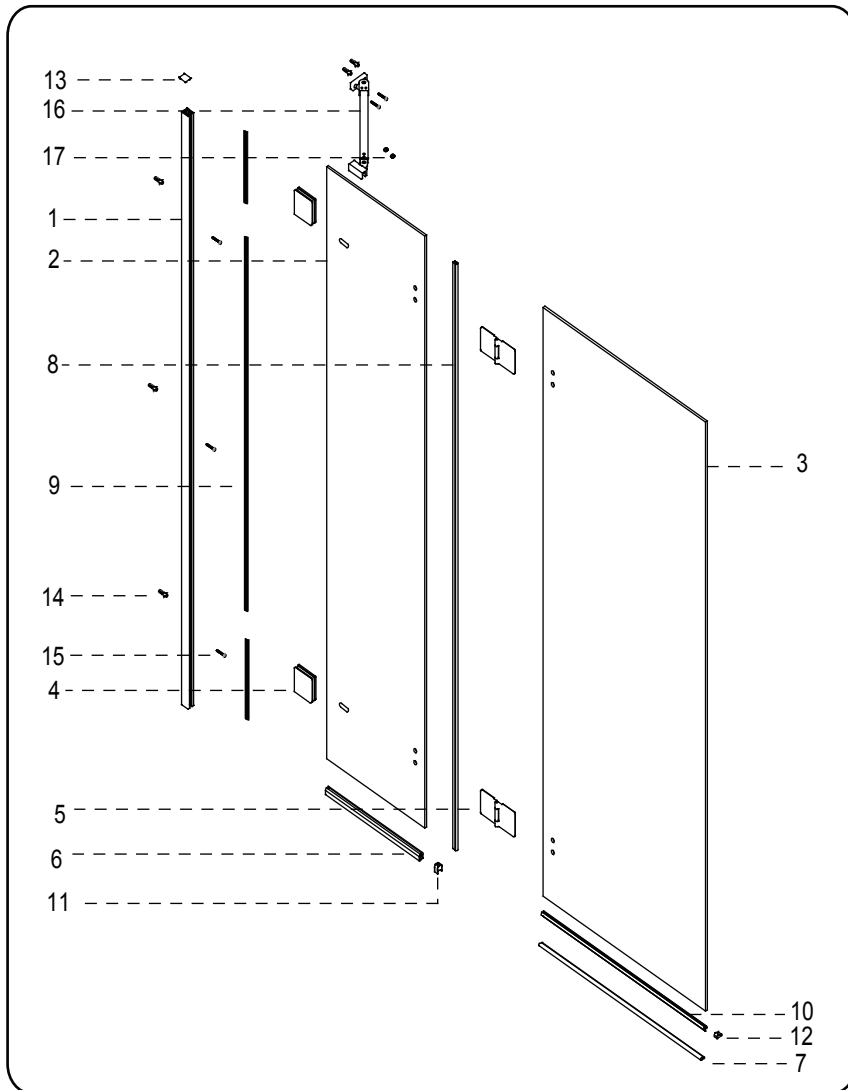
The wall plugs supplied with the installation kit are for use on solid walls. Hollow or stud-partition walls will require alternative fixings. Please consult with a reputable trades person or hardware supplier for the correct type of fixing.

It may also be necessary to consult your tiling supplier about the correct method for drilling your tiles.

Please check this product for damage prior to starting the installation. No claims can be made after the product has been fitted. This is a 2 person installation. Please note the minimum and maximum adjustment for this product are based on perfectly plum walls.

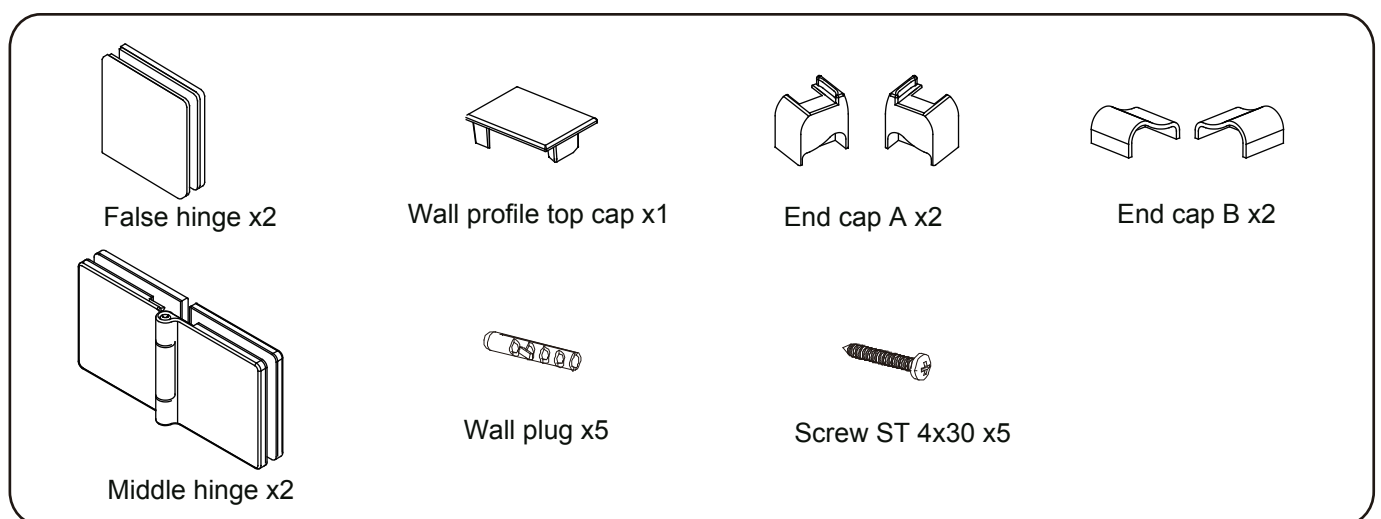
USE SAFETY EYE-WEAR WHEN DRILLING

COMPONENTS AND BOX CONTENTS



SN	Description	Qty
1	Wall profile	1
2	Fixed Panel	1
3	Moving Panel	1
4	False Hinge	2
5	Middle Hinge	1
6	Bottom Strip A	3
7	Bottom Strip B	3
8	Vertical Seal A	1
9	Vertical Seal B(3 strips)	1(set)
10	Bottom Seal	1
11	End Cap A (L&R)	2
12	End Cap B (L&R)	2
13	Top Cap	1
14	Wall Plug	5
15	Screw ST4 x 30	5
16	Support Arm	1
17	Grub Screw M8 x6	2

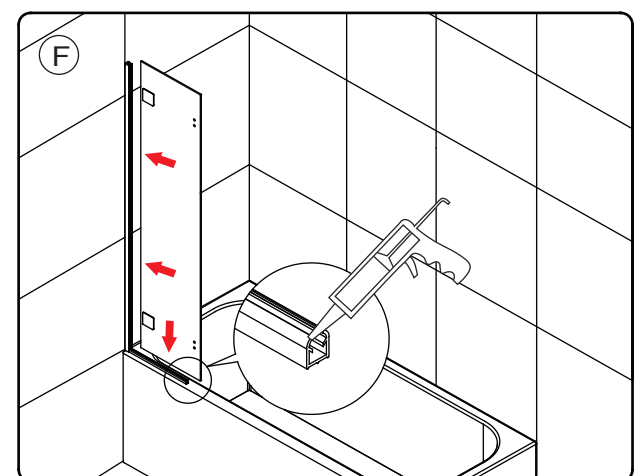
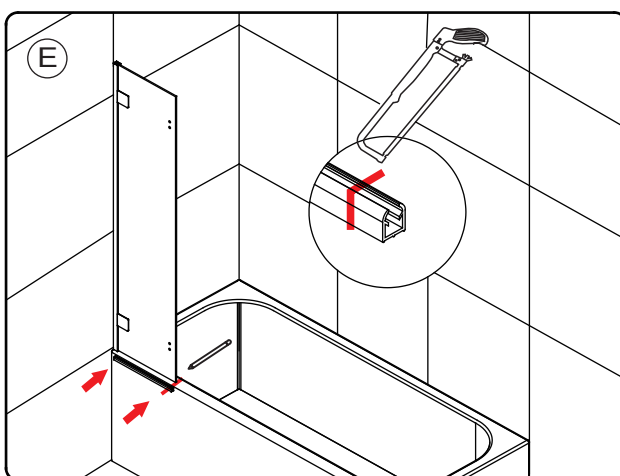
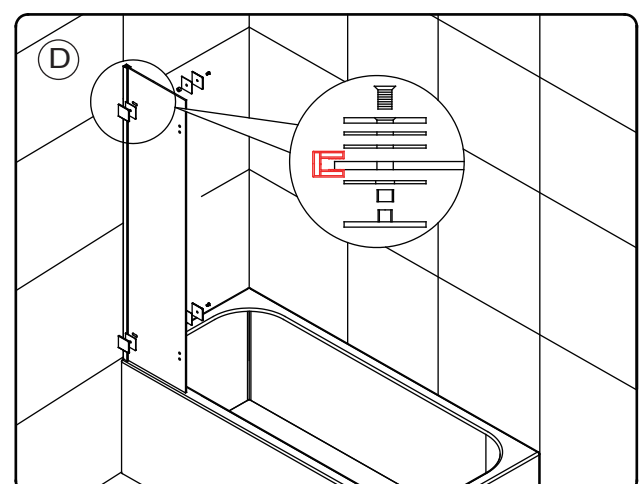
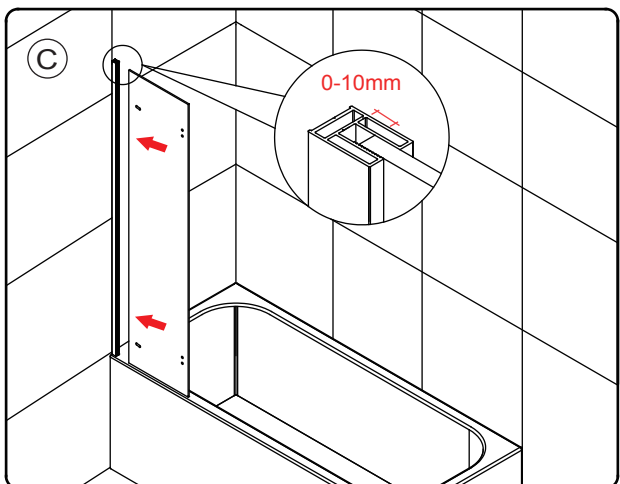
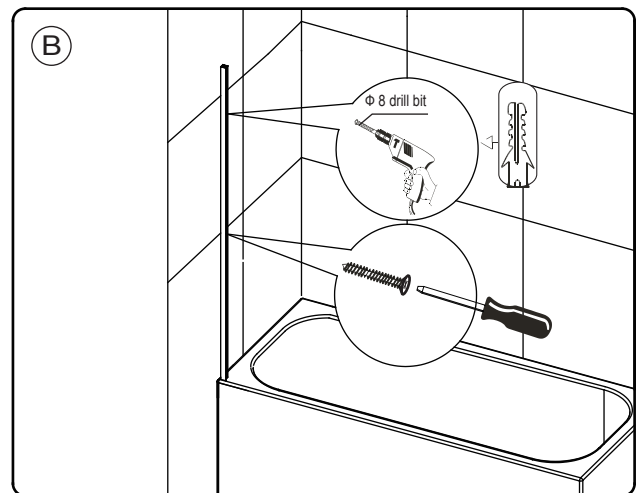
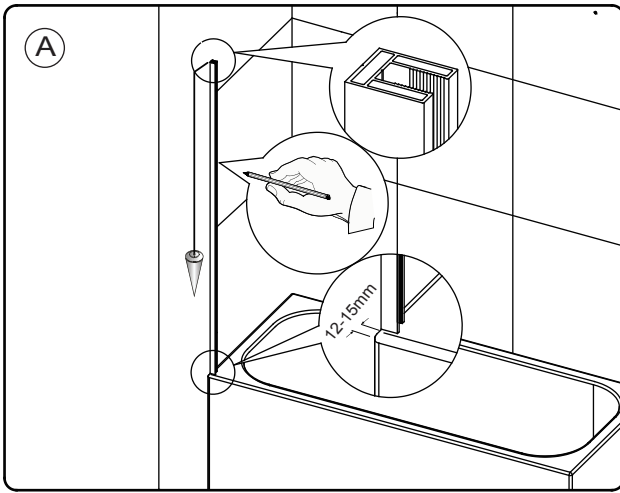
FIXING KIT



IMPORTANT - Missing Components

Please check this product for missing components prior to installation.

For spare parts visit www.aquadart.co.uk



Step 1: Position the wall profile (1) onto the bath, approximately 12-15mm from the outside bath edge. Level the profile with a spirit level, then mark the position through the 3 pre-drilled screw holes in the wall profile using a pencil.(A)

Step 2: Drill the marked points using a 8mm masonry drill bit ,once this is done insert 3 wall plugs (14) into the wall holes then secure the wall profile using 3 x ST4X30 screws (15)(B).

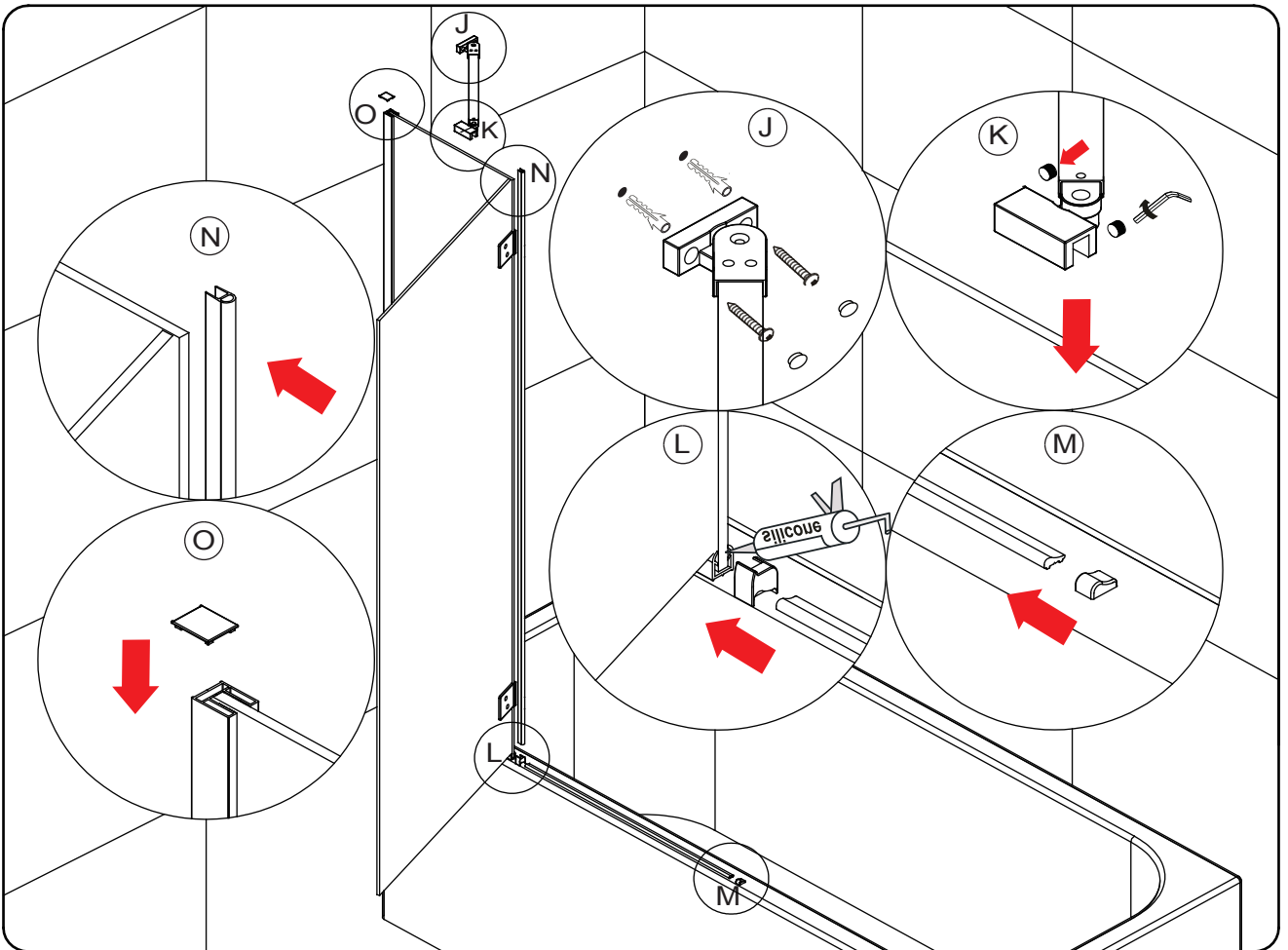
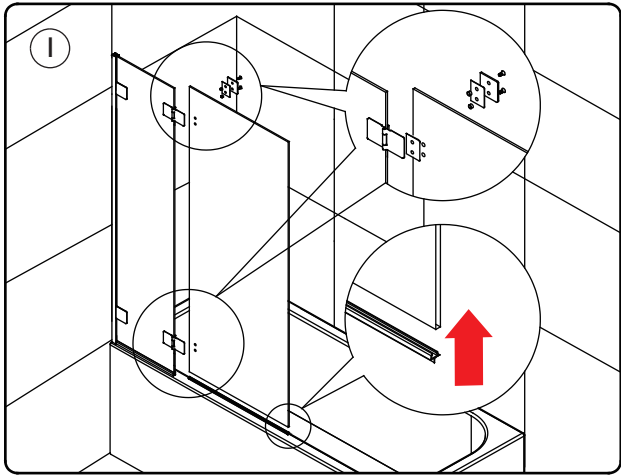
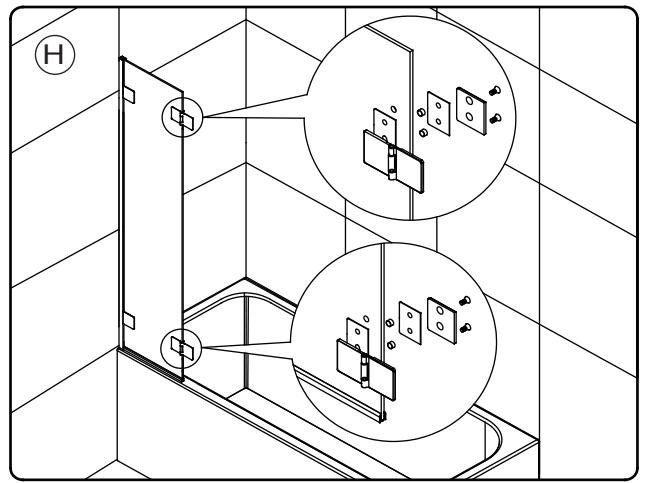
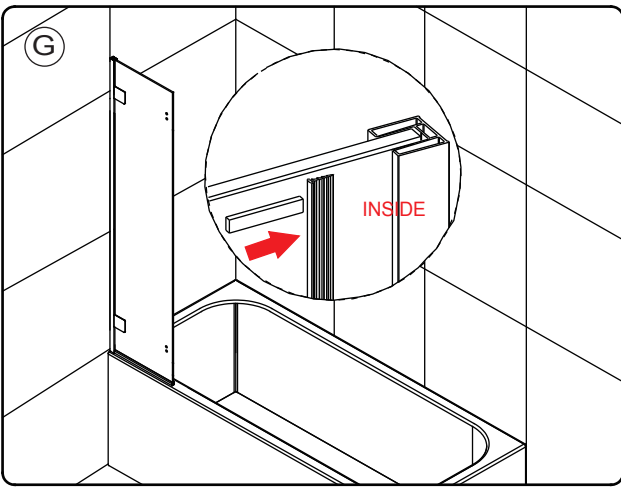
NOTE : You may find it easier to mark and drill the wall if you apply masking tape to it first.

Step 3: Carefully insert the fixed panel(2) into the wall profile(1),it allows 0-10mm for the adjustment in case the wall is not fully level(C)

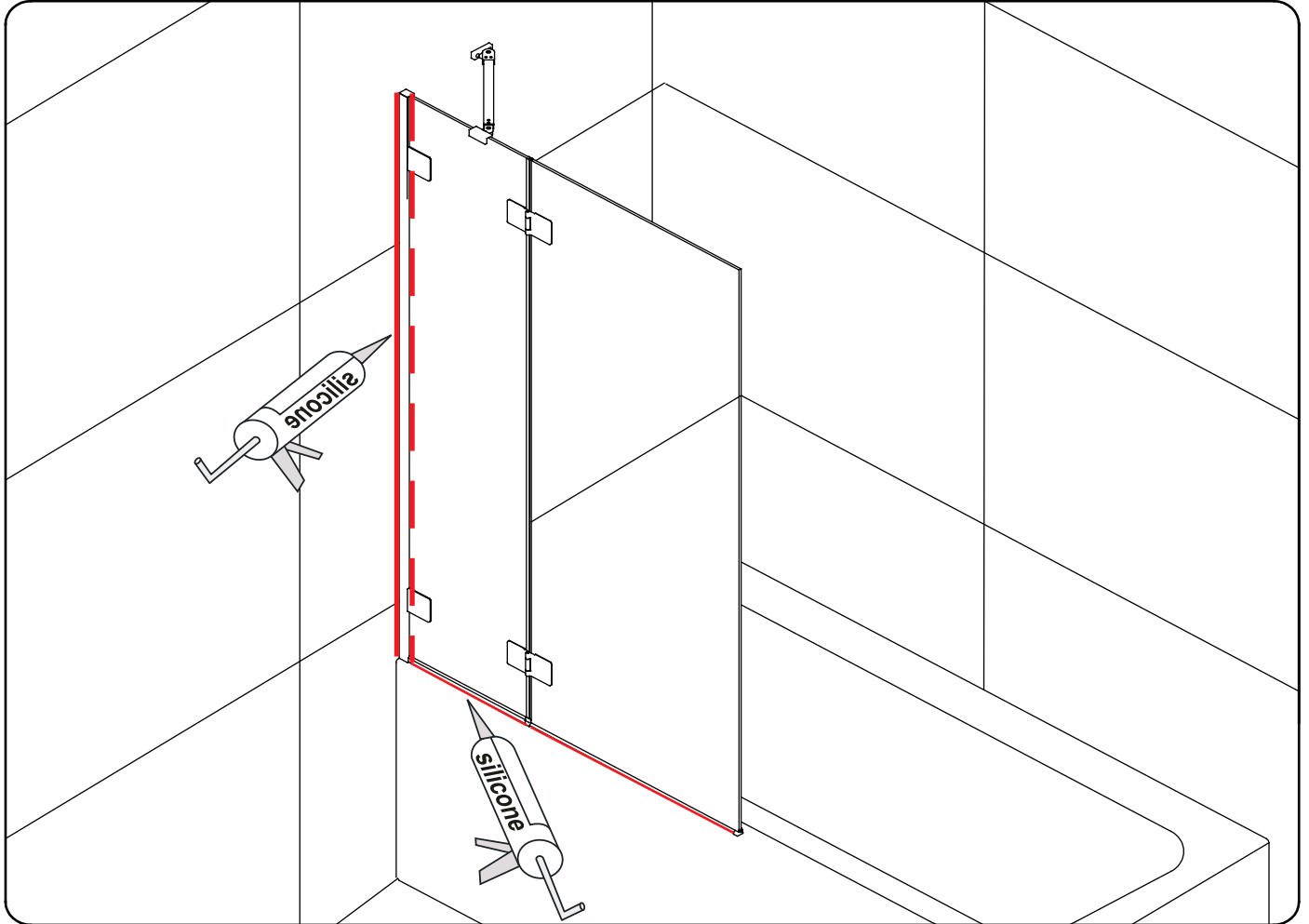
Step 4 :Secure the false hinge(4) onto the fixed panel,use two gaskets inside and one gasket outside to ensure the hinges are flush with the wall profile(D)


Step 5 :Position the bottom strip A(6) onto the bath then mark a line onto the profile, cut the profile through marked line to get required length(E).

Step 6 :Drop the silicone sealant into the groove of the bottom strip A then reposition it onto the bath,carefully insert the fixed panel into bottom strip A and push it into the the wall profile.(F)



- Step 7:** press the vertical seal B(9)(3 strips) into the wall profile to secure the fixed panel(2)(G).
- Step 8:** Fit the middle hinge(5) onto the fixed panel(2)(H)
- Step 9:** Push the bottom seal (10) onto the bottom of the door panel(3) then carefully lift it onto the bath to secure it onto the fixed panel(2)(I)
- Step 10:** Fix the support arm onto the fixed panel(J,K)
- Step 11:** Drop the silicone sealant onto the bottom corner of the bottom strip A(6), then push the correct hand of the end cap A(11) onto the bottom strip A(6), drop the silicone sealant onto the bottom groove of the bottom strip B(7) then insert it into the end cap A(11)(L).
- Step 12:** Push the correct hand end cap B(12) onto the bottom strip B(7)(M).
- Step 13:** Press the vertical seal A (8) onto the fixed panel(2)(N).
- Step 14:** Push the wall profile top cap(3) onto the wall profile(1)(O)



24 HRS	DO NOT USE THE ENCLOSURE FOR 24 HOURS AFTER SEALING
	

Applying Silicone Sealant

Sealing Inside

Seal from the top of the wall profile to the bottom on the **INSIDE** between the wall profile and the wall.

IMPORTANT: Do not apply sealant on inside of the tray.

Sealing Outside

Seal from the top of the wall profile to the bottom between the wall profile and tiles on both sides. Also seal along the bottom where the frame meets the tray. Seal the joints between the bottom profile and any upright profiles.

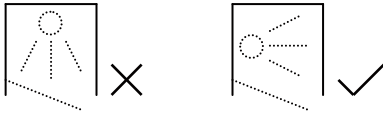
AFTERCARE

Cleaning Instructions

It is important to clean your Aquadart shower enclosure after every use. Please wipe down all glass and metal parts with a clean soft cloth. Ensure that all residual water on the glass is removed after every use.

Usage

For reliable, watertight performance from your Aquadart enclosure your shower head should not be positioned so that the shower sprays directly onto the enclosure door. Failure to comply with this may cause the shower to leak. Outward opening doors may cause water to drip onto the floor, please ensure that the floor covering immediately outside the enclosure will not be affected by water.



This product has been treated with Clean & Clear™ easy clean glass treatment, a protective barrier which creates a 'non-stick' surface on your glass, helping to resist lime scale build up and water spots. For further information on Clean & Clear™ please visit www.aquadart.co.uk

Aftercare

Clean & Clear™ glass can be cleaned with any suitable nonabrasive glass cleaner - with PH value of between 3-11; the coating will not be damaged. Avoid surfactants and heavily perfumed products. Vinegar and water based products are very effective. Do not use abrasive scrubbing cleaners or equipment for cleaning.

Warranty

Limited 5 year Warranty for Clean & Clear™ treatment: To guarantee treated surfaces will remain more repellent than untreated glass for 5 years from start of use, as long as basic manufacturer maintenance recommendations are followed and no harsh or abrasive cleaners are used.