

KEA Basin Mixer Installation Instructions



Your product should be fitted in compliance with the Water Authority Regulations. If you are unsure as to what the regulations require, you can contact your Local Water Authority for further details.

Before commencing installation please ensure that you have :-

1. Checked the contents of the box to ensure all parts are present and correct.
2. Read these instructions carefully to understand the installation requirement.
3. Obtained the correct tools to perform a trouble free installation.
4. Considered the surrounding environment where the installation is to take place and any potential hidden dangers.

Taking the above into consideration should result in a smoother, trouble free installation

Product Care

To maintain a high quality finish of your product , you should avoid using any abrasive detergents. Some detergents will aggressively attack the surface over a period of time leading to irreversible damage. Instead, it is advisable to use a soft cloth with warm water . This will significantly prolong the life and looks of the product. If for some reason you need to use a detergent when cleaning , only use a low concentrated brand.

Warranty

Methven warrants this product against manufacturing defects and that it is suitable for use under the general operating conditions specified in this instruction sheet. However, regional regulations apply and may affect your warranty. Please refer to www.methven.com or call customer service for full details.

New Zealand
0800 804 222

Australia
1300 638 483

UK
0800 195 1602

Operating Conditions

Your basin mixer is designed to be used in conjunction with either High or Low water pressure systems. Wherever possible for the best performance of the product, it is always best practice to have equal pressures supplied to both hot and cold inlets. Your product should be fitted in compliance with the Water Authority Regulations. If you are unsure as to what the regulations require, You can contact your Local Water Authority for further details.

Minimum operating pressure = 0.2 bar

Maximum operating pressure = 5 bar

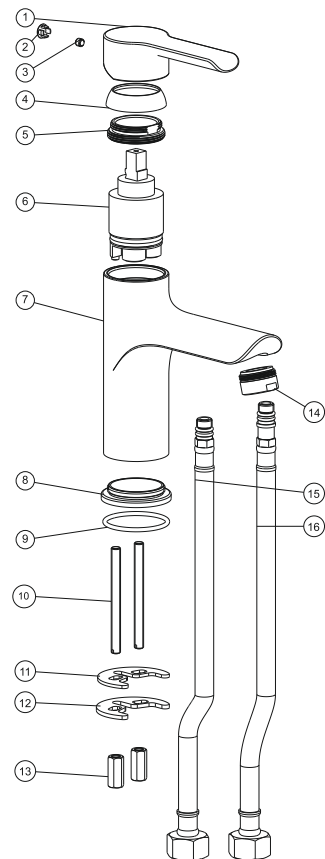
Maximum static pressure = 10 bar

*Note - For pressures over 3 bar , flow regulators or a pressure reducing valve is recommended to be used where the flow of water may be way in excess of what you require.

Important outlet aerator information - Part No.14a (fitted) , Part No.14b (optional)

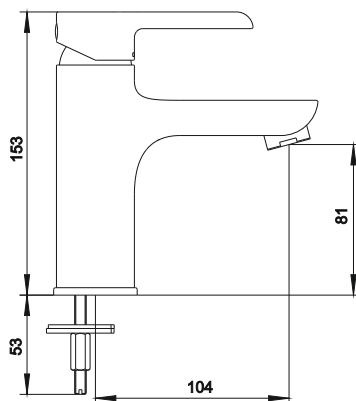
The Basin mixer is supplied fitted with a non restrictive directional aerator (light grey). However for occasions where you may need to restrict the flow of water to the basin the non restrictive directional aerator (light grey) can be replaced by the 7ltr/min aerator (light green) supplied.

Contents



| Part | Code | Description |
|------|---------------|---|
| 1 | A68050-002 | Handle |
| 2 | T10060 | Cap |
| 3 | 30100078 | Grubscrew |
| 4 | A11400-003 | Cartridge Cover |
| 5 | A10201-002 | Cartridge Nut |
| 6 | E00121 | Cartridge |
| 7 | A68050 | Mixer Body |
| 8 | A67980-002 | Plinth |
| 9 | 40000079 | Plinth Seal |
| 10 | A66800-009 | Basin Mixer Clamp Screw |
| 11 | A66800-008 | Seal |
| 12 | A66800-007 | Basin Mixer Clamp |
| 13 | A66800-010 | Nut |
| 14a | 40 6007 03301 | Directional aerator inc housing (Light grey) fitted |
| 14b | 40 6055 03301 | 7l/min aerator inc housing (Light green) optional |
| 15 | H16038 | Flexible Hose |
| 16 | H16039 | Flexible Hose |

Product Dimensions



Important points to note before commencing Installation of your Basin Tap. You should have :-

- Checked the contents of the box and all parts are present and correct.
- Checked to ensure the minimum site operating conditions can be met.
- The correct tools to perform a trouble free installation.
- Considered the surrounding environment where the installation is to take place and any potential hidden dangers.
- Isolated both the hot and cold water supplies.

Note : If not already present , you may wish to consider installing isolation valves for ease of future maintenance. Isolation valves can be fitted anywhere prior to connecting the Basin tap flexible hoses to the water supply pipes. However , they should always be installed in a safe and convenient place for ease of future access.

Installation

- Ensure that both the Hot and Cold water supplies are isolated.
- Ensure that the Basin mixer clamp screws (10) and Plinth (8) are firmly fitted to the basin mixer , taking care not to damage any of the parts.
Before proceeding any further, take note of the position of the 'Hot' inlet port on the base of the Basin mixer. This will be required to ensure that the flexible hoses are connected to the correct Hot and Cold inlet ports.
- Place the Plinth seal (9) under the Plinth (8), seat the basin mixer onto the basin whilst still ensuring that the Plinth seal (9) is correctly located under the Plinth (8). **Failure to do this may result in water leakage during use between the basin mixer and basin.**
- Placing the Seal (11) and Basin mixer clamp (12) onto the Basin mixer clamp screws (10) and screw Nut(s) (13) fully onto the Basin mixer clamp screws (10) but do not fully tighten. Correctly align the basin mixer to the desired position on the basin and whilst holding the basin tap, tighten Nut(s) (13) until the basin tap is firmly fixed in position.
- Screw both flexible hoses into the basin mixer tap and hand tighten until fully fixed. **Note that the 'Hot' Inlet flexible hose should be connected to the 'Hot' inlet of the basin mixer tap.**
- Check all connections have been made correctly.
- Turn on both 'Hot' and 'Cold' supplies.
- Turn on the mixer tap slowly , operate the lever in all directions and check all joints for any leaks.
Please note, it is advisable to check the joints for several minutes to ensure all joints are water tight.
- Turn off the basin mixer tap. Congratulations you have now successfully installed your new KEA basin mixer tap.

Maintenance

In the unusual event that your products performance may have deteriorated over a period of time . The basin tap cartridge may require cleaning. To do so :-

- Isolate both Hot and Cold water supplies to the basin tap.
- Remove Cap (2) and undo Grubscrew (3). This will allow Handle (1) to be removed.
- Unscrew Cartridge cover (4) and Cartridge nut (5). The Cartridge (6) is now exposed.
- Pull the Cartridge (6) free from the Basin mixer body (7). A little resistance may be felt due to the seal created between the Cartridge (6) and the Basin mixer body (7).
- Taking care with the cartridge (6), gently flush clean the inlet ports of the Cartridge, taking care not to damage the cartridge seals.
- Ensure there is no debris inside the basin mixer body ,taking care not to damage any sealing faces.
- Before refitting the Cartridge (6) to the Basin mixer body (7) . Run a smear of washing up liquid around the external seals of the Cartridge (6). This will aid re-assembly of the Cartridge (6). Refit the Cartridge (6) into the basin mixer body firmly pressing the cartridge into place.
- Refit the Cartridge nut (5) to the Basin Mixer Tap and tighten. **Please do not over tighten the Cartridge nut (5) as it may damage the cartridge (6).**
- Refit the Cartridge cover (4) , Tap handle (1) , tighten Grubscrew (3) and refit Cap (2).
- Turn on both Hot and Cold water supplies.