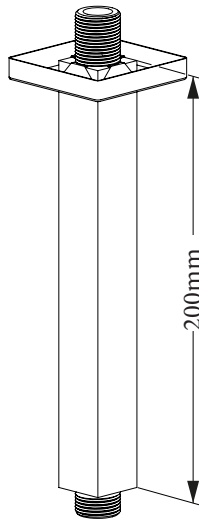
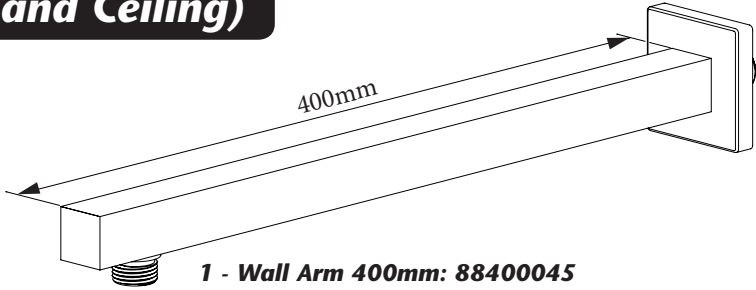


Square Shower Arm (Wall and Ceiling)



INSTALLERS PLEASE NOTE THESE INSTRUCTIONS ARE TO BE LEFT WITH THE USER

SHOWER ARM (Wall & Ceiling)

INSTALLATION OF WALL ARM - 1

- Install the adapter into a suitable fitting (*wall plate elbow, or similar with a minimum of 3 fixing screws) ensuring that the flush fitting pipework has suitable support.

NOTE: It is not advisable to fix the arm through the plasterboard alone, please consider a strong rear support. A maximum guide dimension of 10mm is given from the rear of the adapter to the face of the exterior wall (fig.1).

- When the pipe work fitting is secure and the wall is made good, carefully screw the shower arm onto the fitting. The shower arm may need adjustments to fit flush against the wall. The thread can be trimmed to suit.

! WARNING!

Check there are no hidden cables or pipes before drilling holes for wall plugs. Use great care when using power tools near water. The use of a residual current device (RCD) is recommended.

- Use of PTFE tape on the shower arm threads is advised to ensure a seal. Check the installation is leak tight.

INSTALLATION OF CEILING ARM - 2

- Install the adapter into a suitable fitting (*wall /ceiling plate elbow, or similar with a minimum of 3 fixing screws) ensuring that the flush fitting pipework has suitable support.

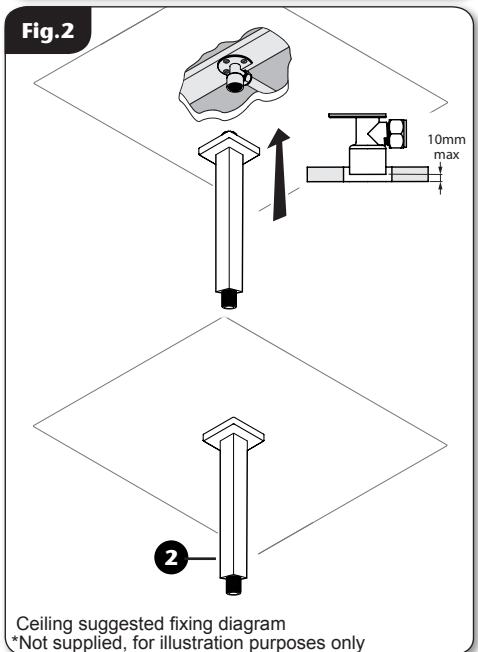
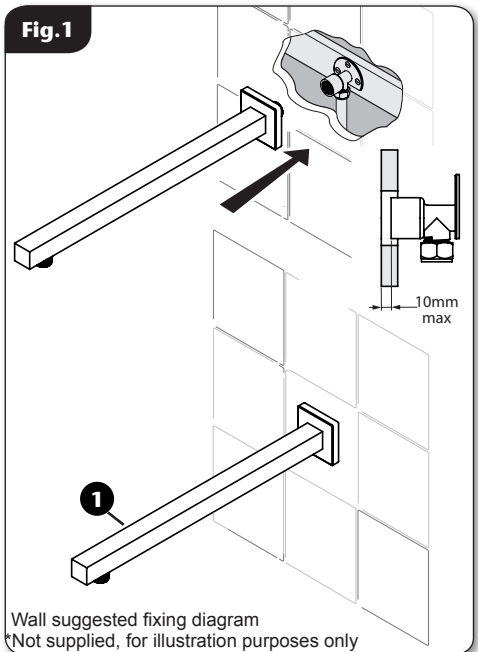
NOTE: It is not advisable to fix the arm through the plasterboard alone, please consider a strong rear support. A maximum guide dimension of 10mm is given from the rear of the adapter to the face of the exterior ceiling (fig.2).

- When the pipe work fitting is secure and the ceiling is made good, carefully screw the ceiling arm onto the fitting. The ceiling arm may need adjustments to fit flush against the wall. The thread can be trimmed to suit.
- Use of PTFE tape on the ceiling arm threads is advised to ensure a seal. Check the installation is leak tight.

SPARES LIST

1. Wall arm 400mm : 88400045

2. Ceiling Arm 200mm : 88400044



Please refer to shower installation and operating instructions for service details. E&OE.