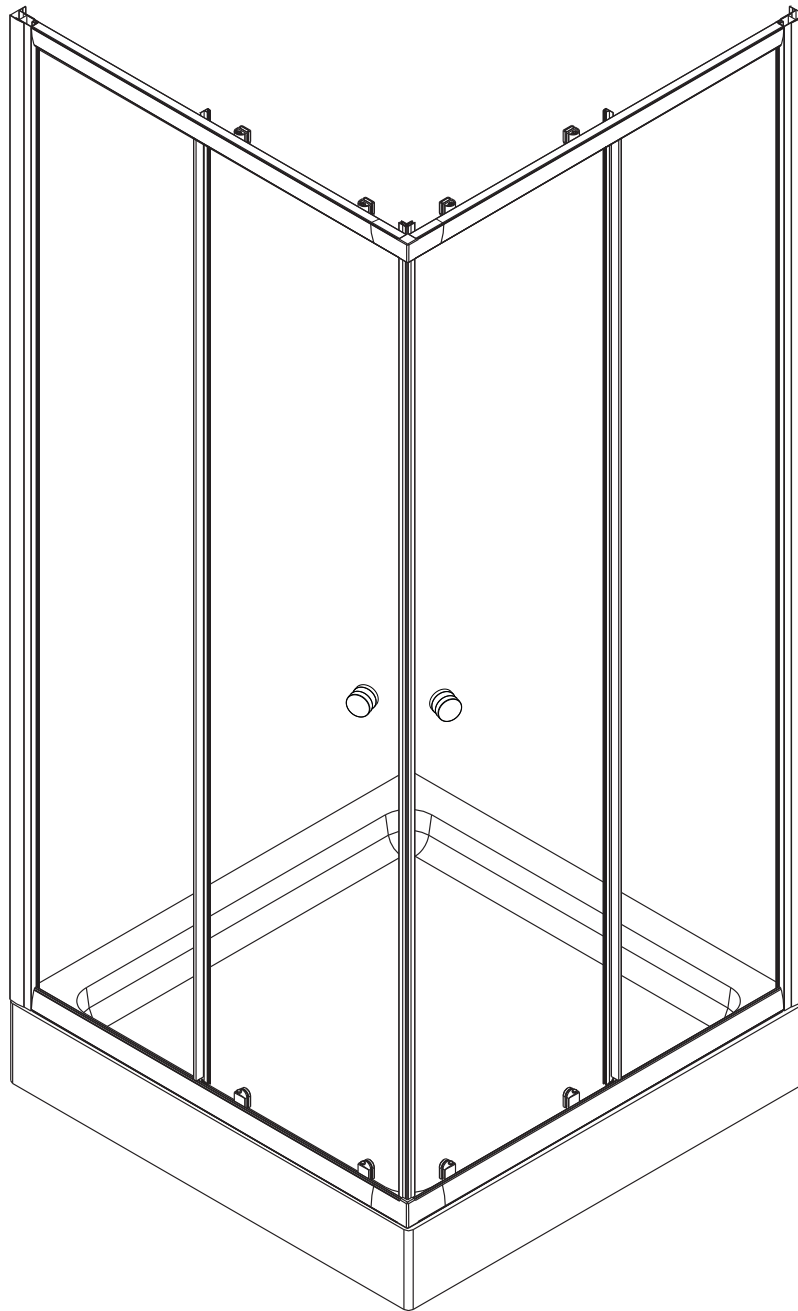


CORNER DOOR

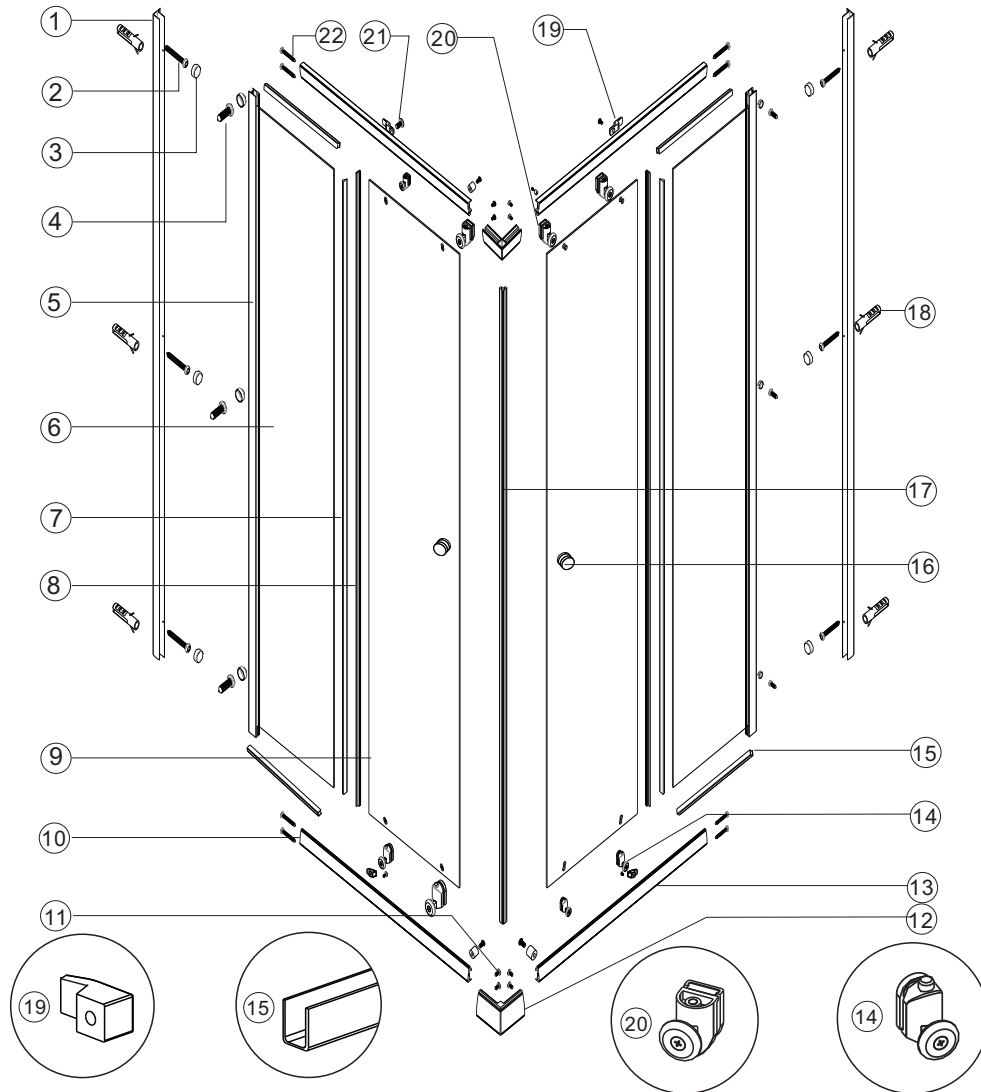


INSTALLATION GUIDE

Size	Product code	Adjustment	Opening space
900	A1212B0	870-890	460
760/800	A1212V0	740-790	350-390

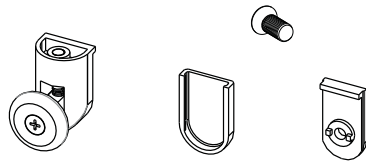
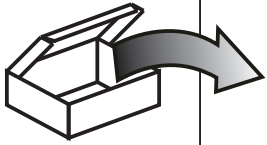
ATTENTION

If you install the product in a way that differs from this manual this will void all guarantees. Before installation check that the product meets all your requirements and is not damaged. By proceeding with installation, You accept the condition of the product. The wall plugs supplied with the installation kit are for use in solid walls. Hollow or 'stud partition' walls will require alternative fixings. Please consult your local hardware supplier for the correct type.

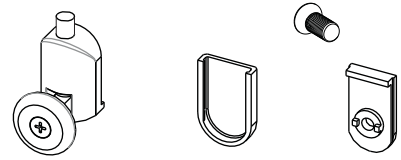


No.	Qty	Part No.
1	2	A02S0020
2	6	2SY51
3	12	C070
4	6	2SY50
5	2	A12S0004
6	2	A
7	2	A12S0013
8	2	A12S0014
9	2	B
10	2	C
11	8	C114

No.	Qty	Part No.
12	2	A12S0029
13	2	D
14	4	A12S0022
15	4	A12S0055
16	2	A12S0023
17	1	A12S0006
18	6	2SP12
19	4	A12S0020
20	4	A12S0021
21	4	N124
22	8	N081

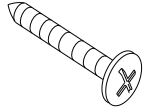


A12S0021
x4



A12S0022
x4

4x30mm



2SY51
x6

4x16mm



2SY50
x6

4x6mm



C114
x8

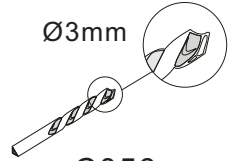


2SP12
x6

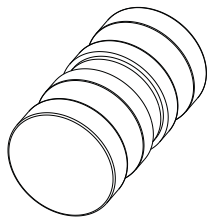


C070
x12

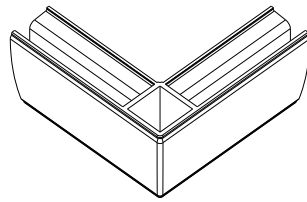
Ø3mm



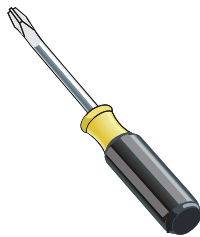
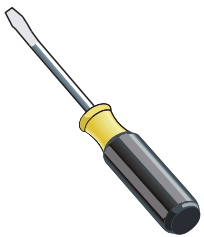
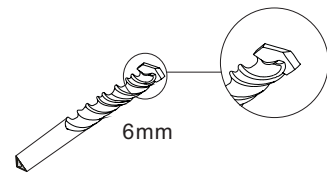
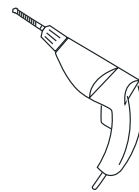
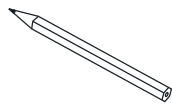
C056
x1



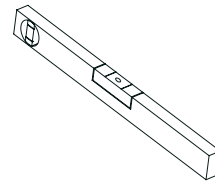
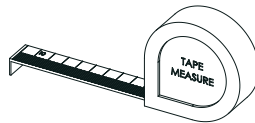
A12S0023
x2



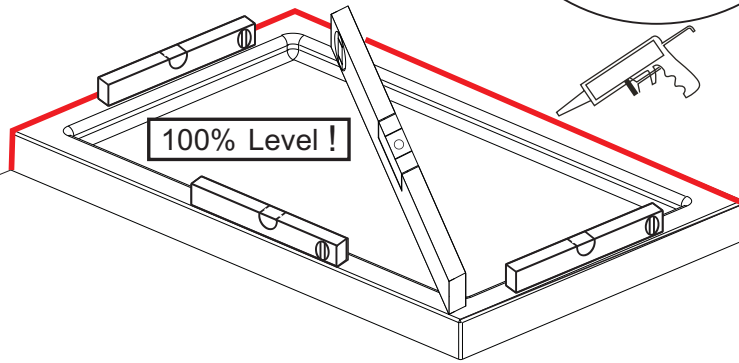
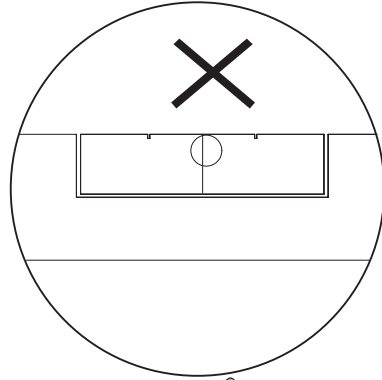
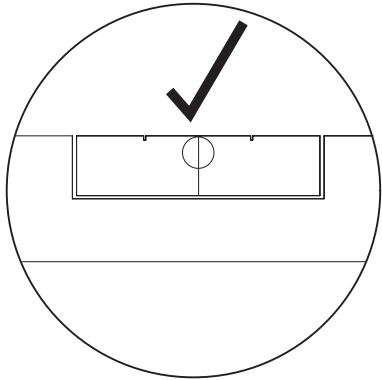
A12S0029
x2



PH2



Please ensure your tray is 100% level in all directions before fitting your enclosure.

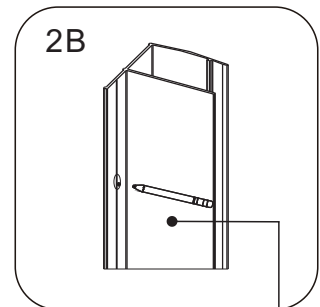
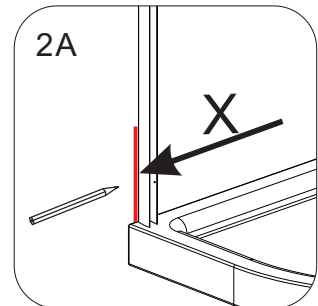
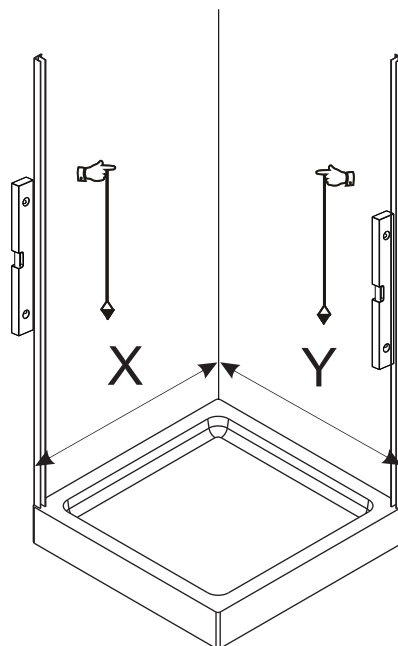


1

Determine your step in from the edge of the tray. Measure your x and y dimension. Your measurements must fall within the below table of adjustments.

Level your wall profiles and mark the points for fixing.

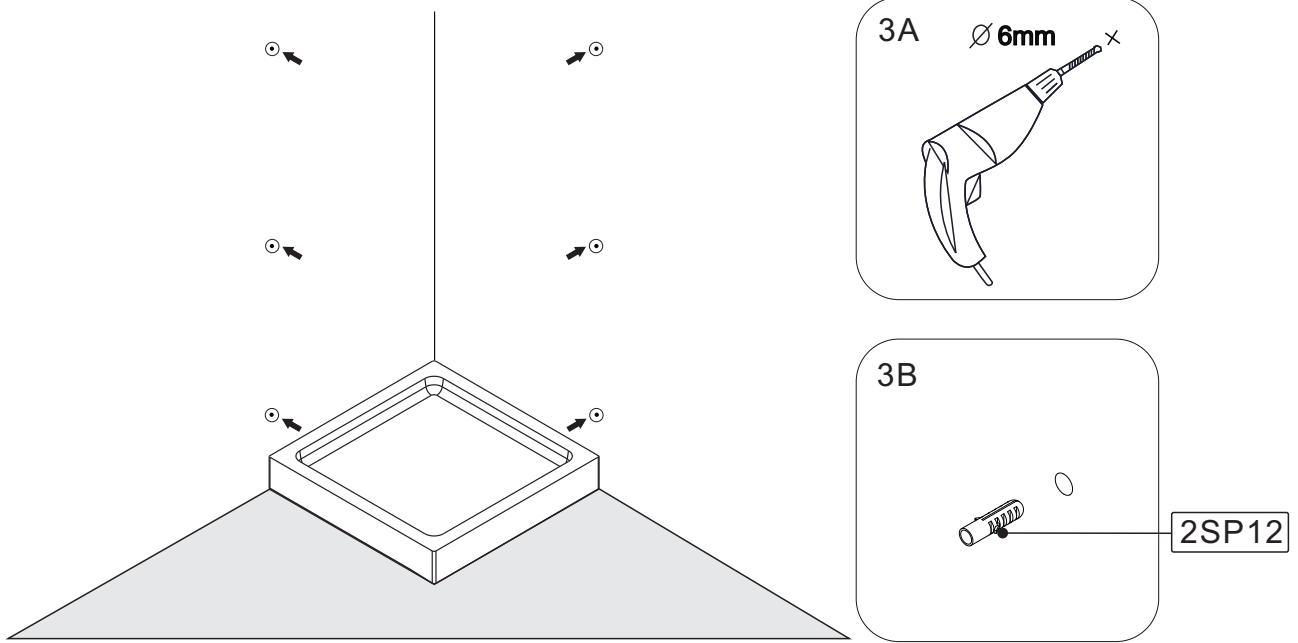
CODE	X	Y
A1212B0	870-890	870-890
A1212V0	740-790	740-790



A02S0020

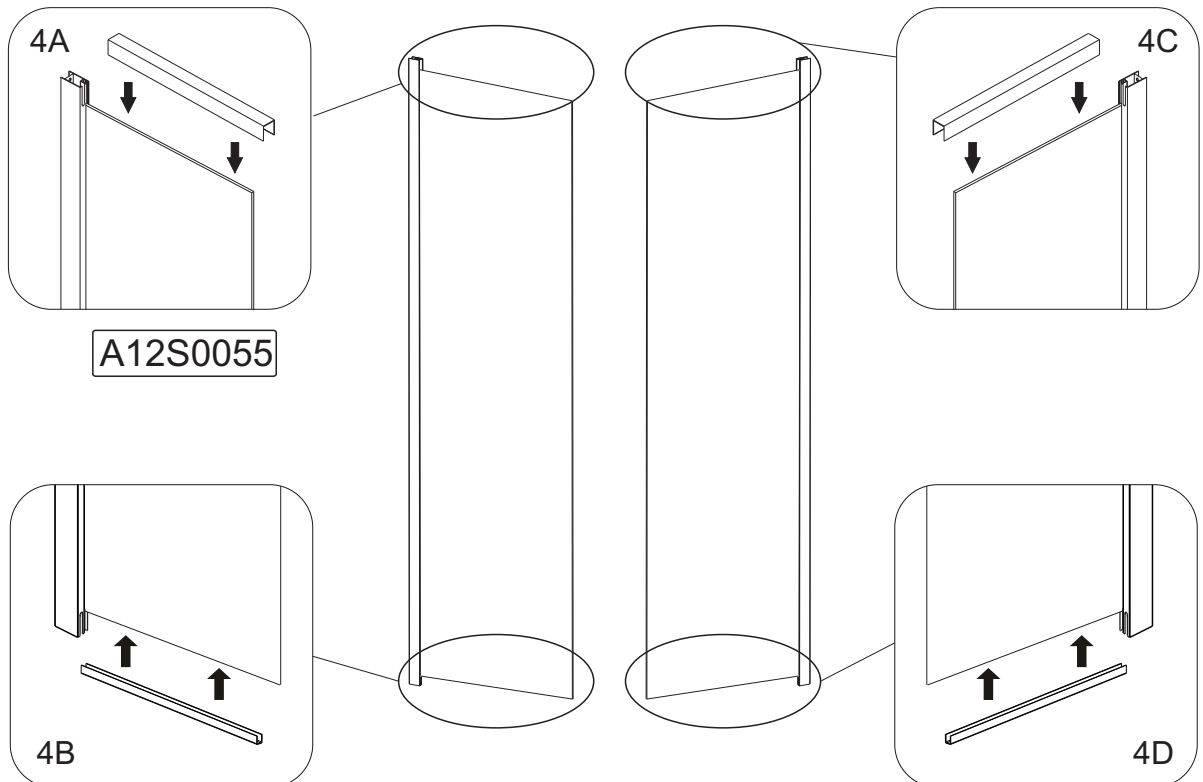
2

Remove the wall profiles and use a 6mm masonry drill bit to drill the holes for your wall plugs.



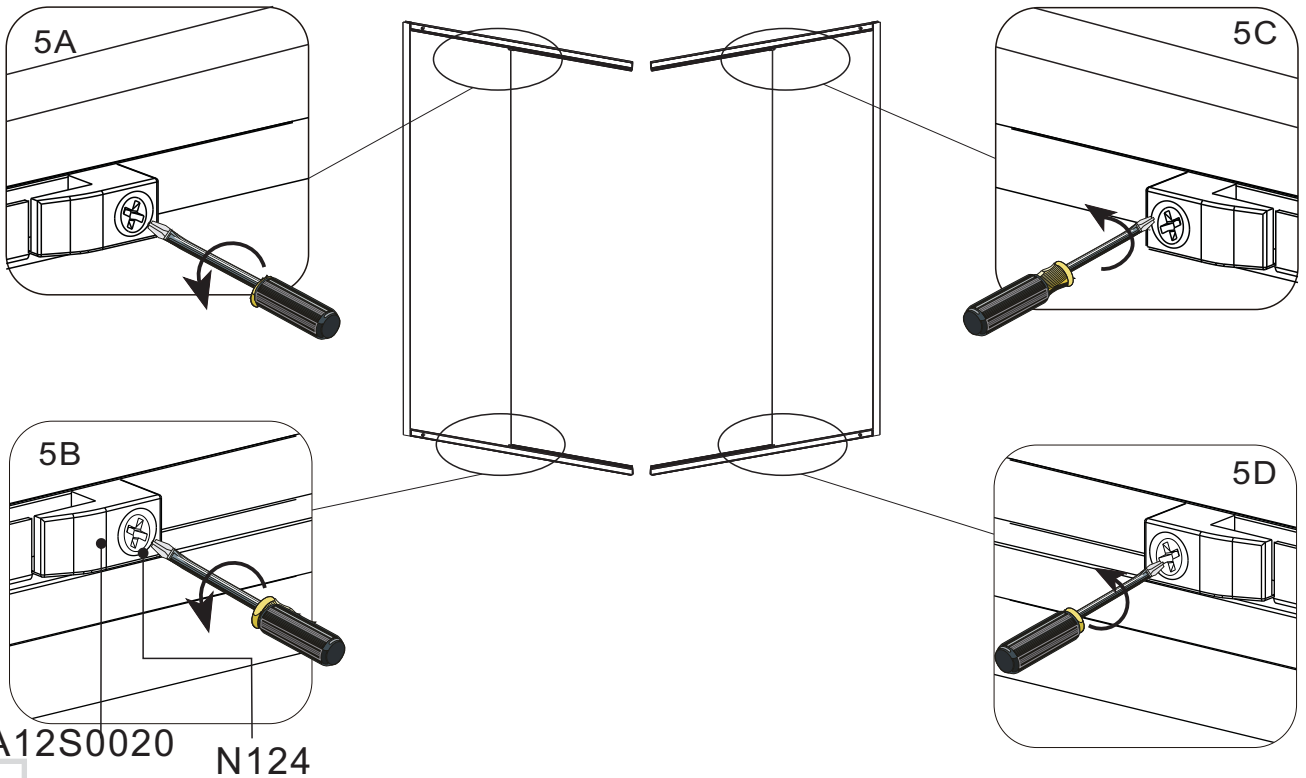
3

Fit your fixed panels seals to the top and bottom of each fixed panel



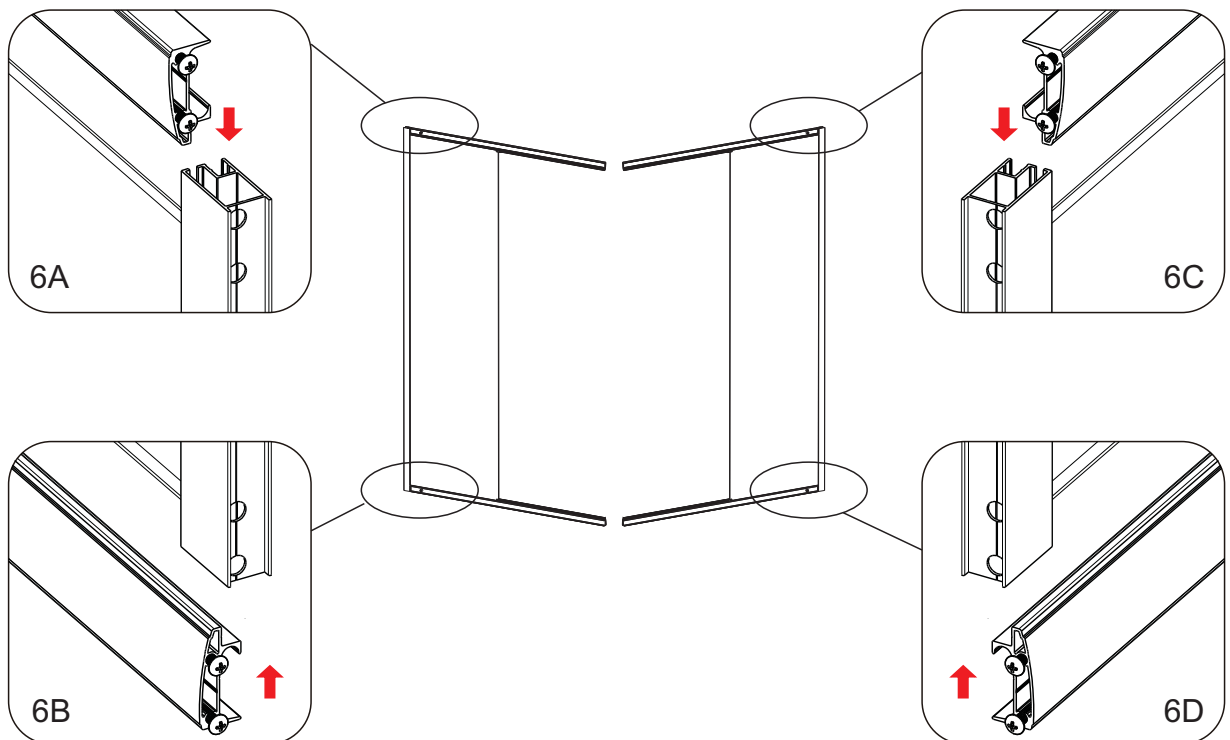
4

Loosen A12S0020 before you fit your top and bottom profile to the upright profile



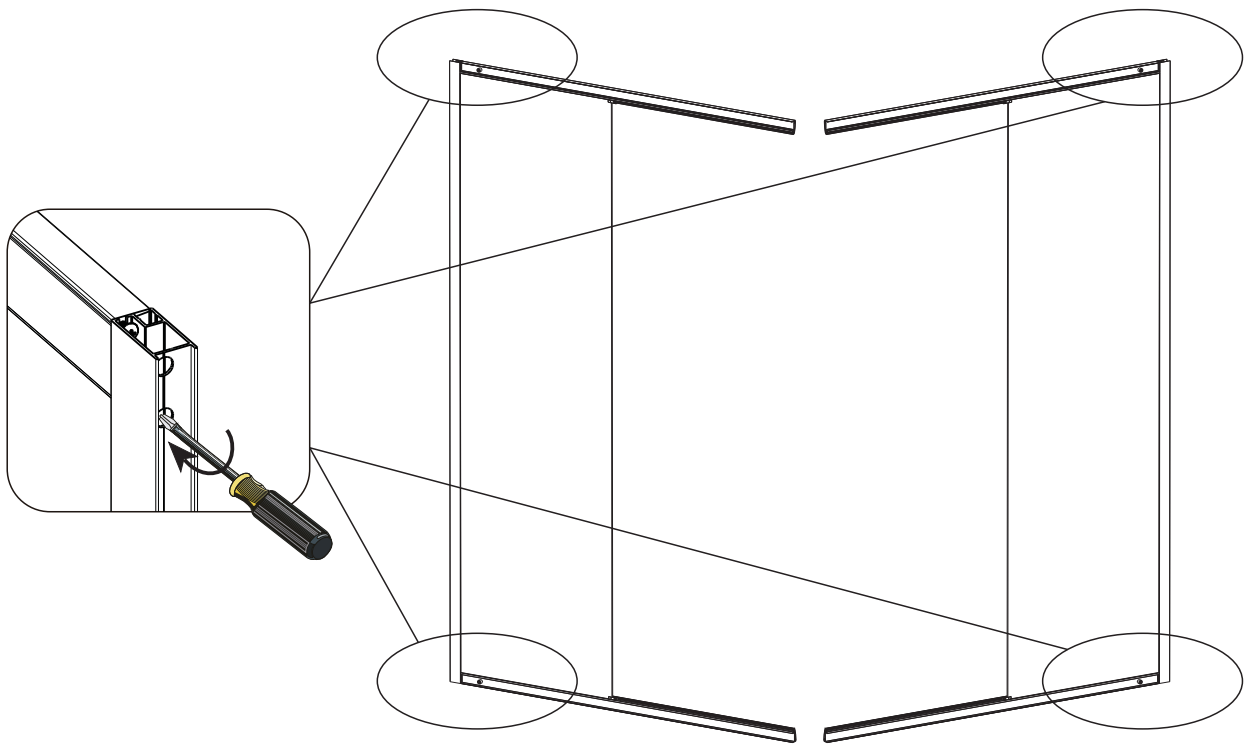
5

Slot the top and bottom profile fixing screws into the slots provided in the upright profile



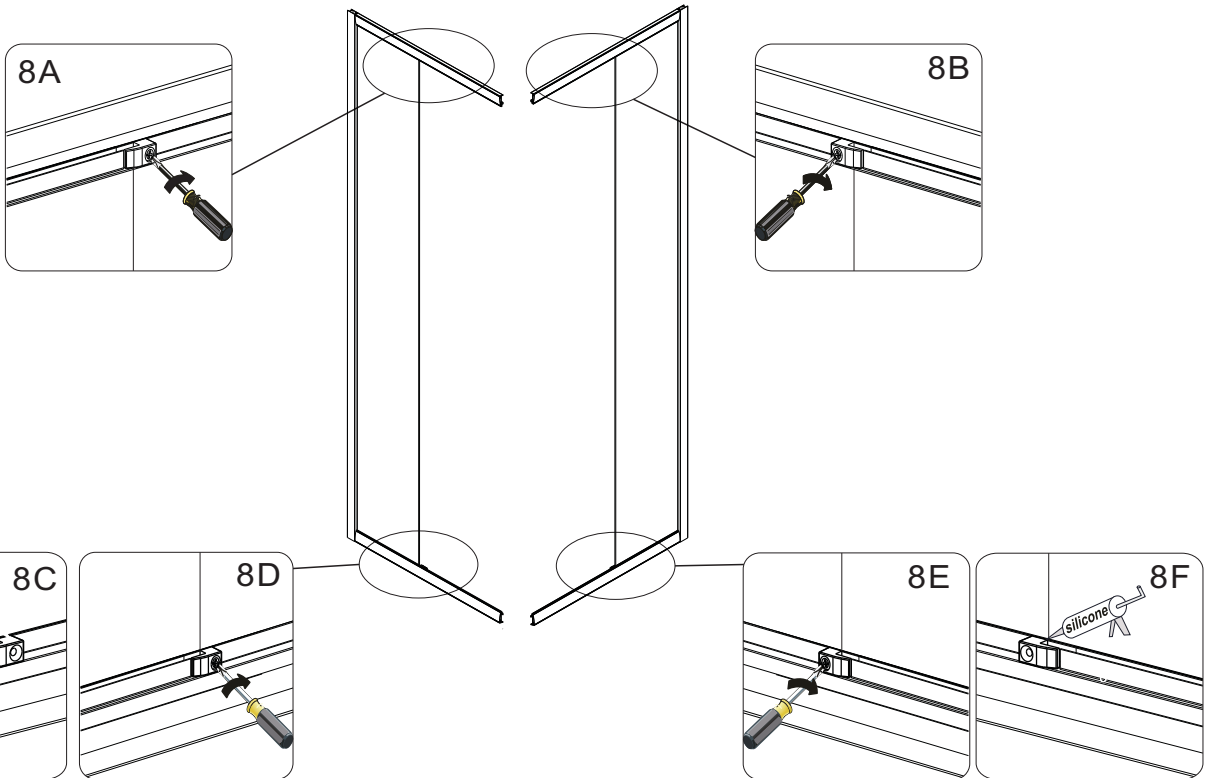
6

5



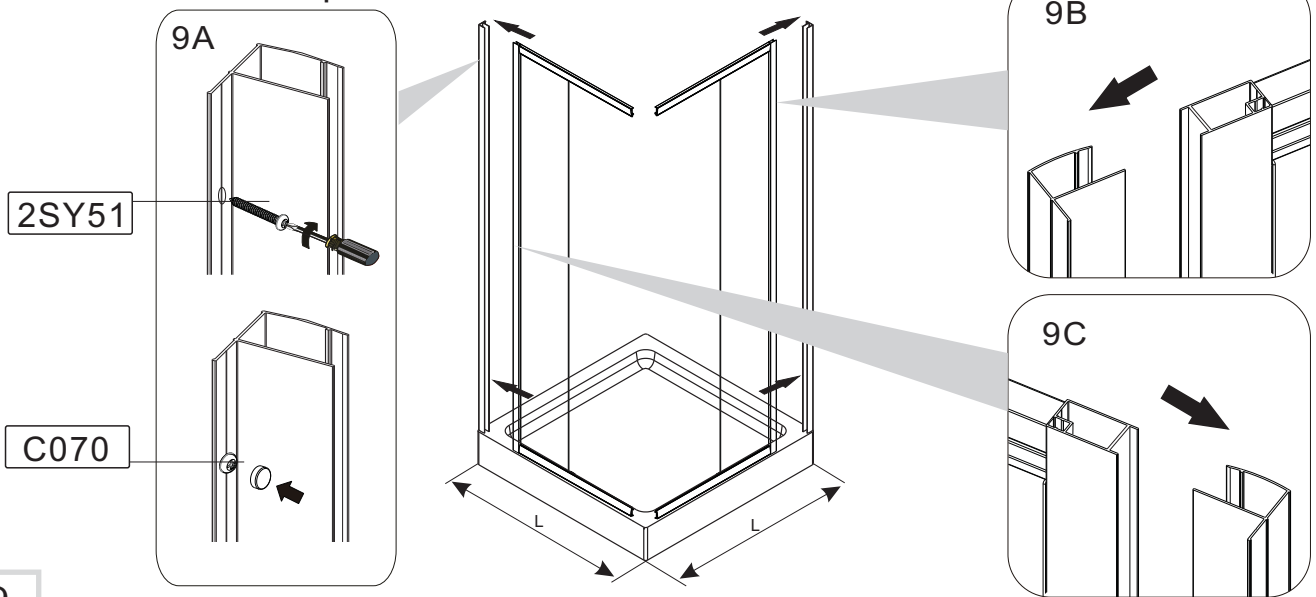
7

Tighten A12S0020 onto the fixed panel to secure the glass



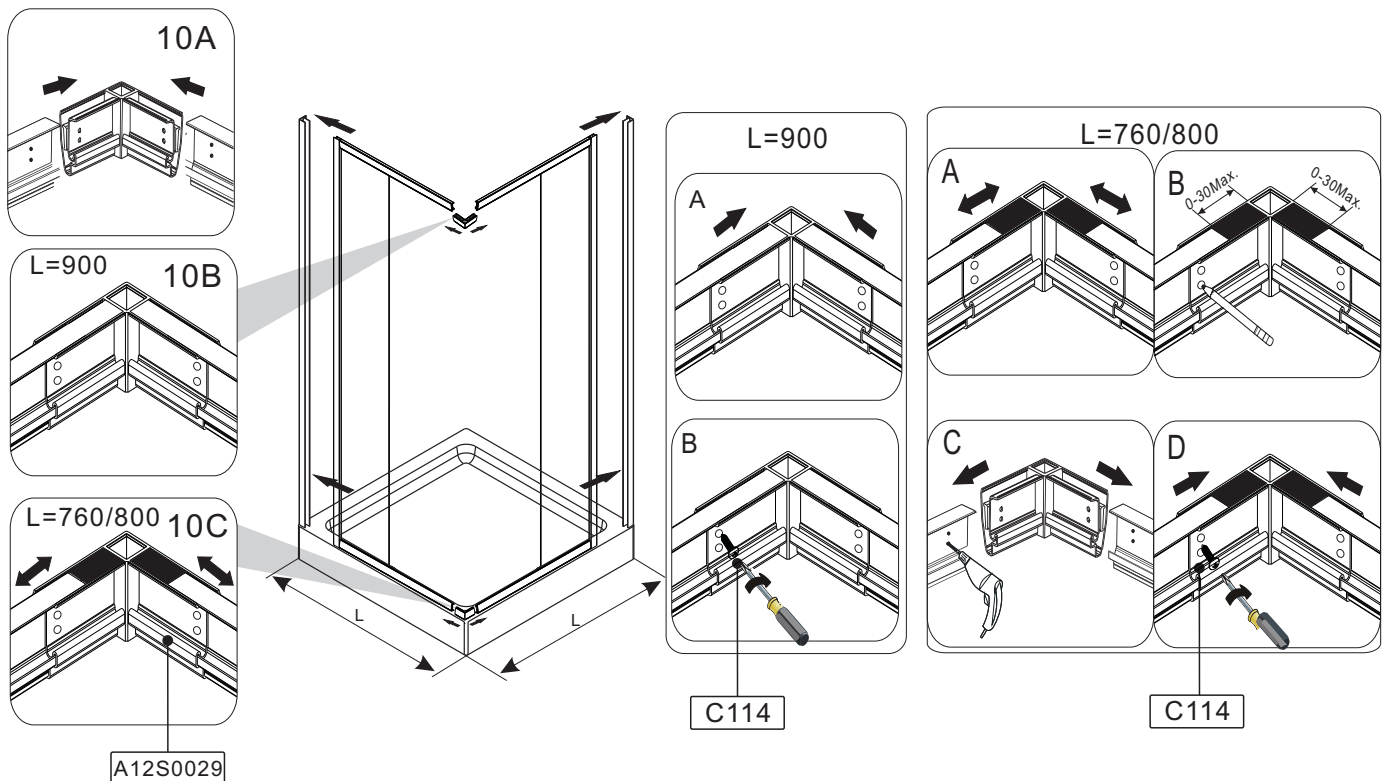
8

Fix the wall profile to the wall. Push your fixed panel assembly including your top and bottom profile into your wall profile. Do not yet fix your upright profiles to the wall profiles.



9

There is up to 30mm adjustment in the corner bracket as shown below depending on the size of your enclosure.

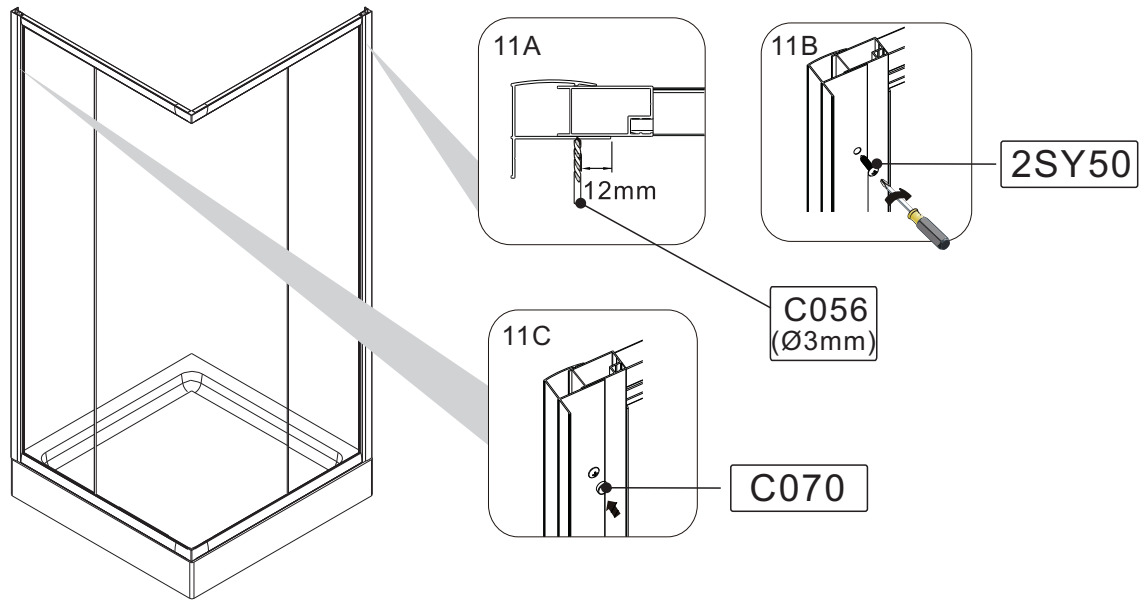


IMPORTANT

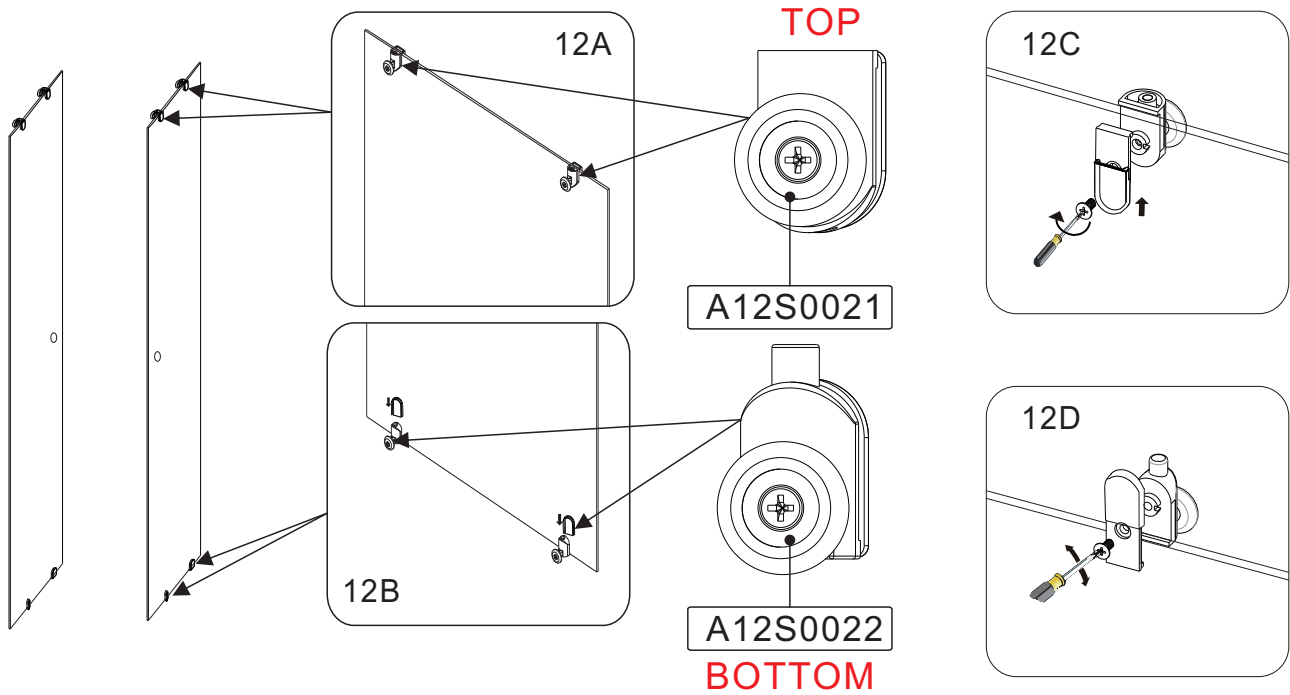
EN Do not drill bracket and profile together, mark hole, remove bracket then drill.

10

After your corner bracket has been fixed you can square your enclosure on the tray and fix the wall profiles to the upright profiles as shown below.

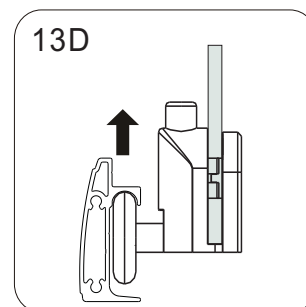
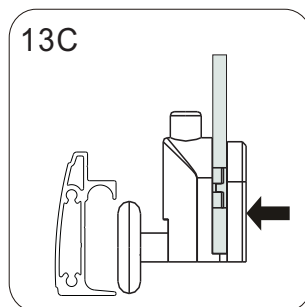
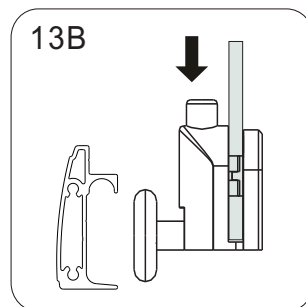
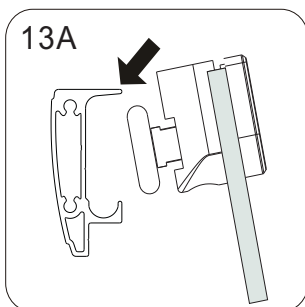
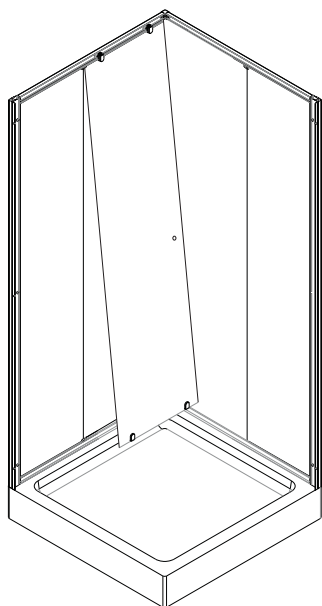


11

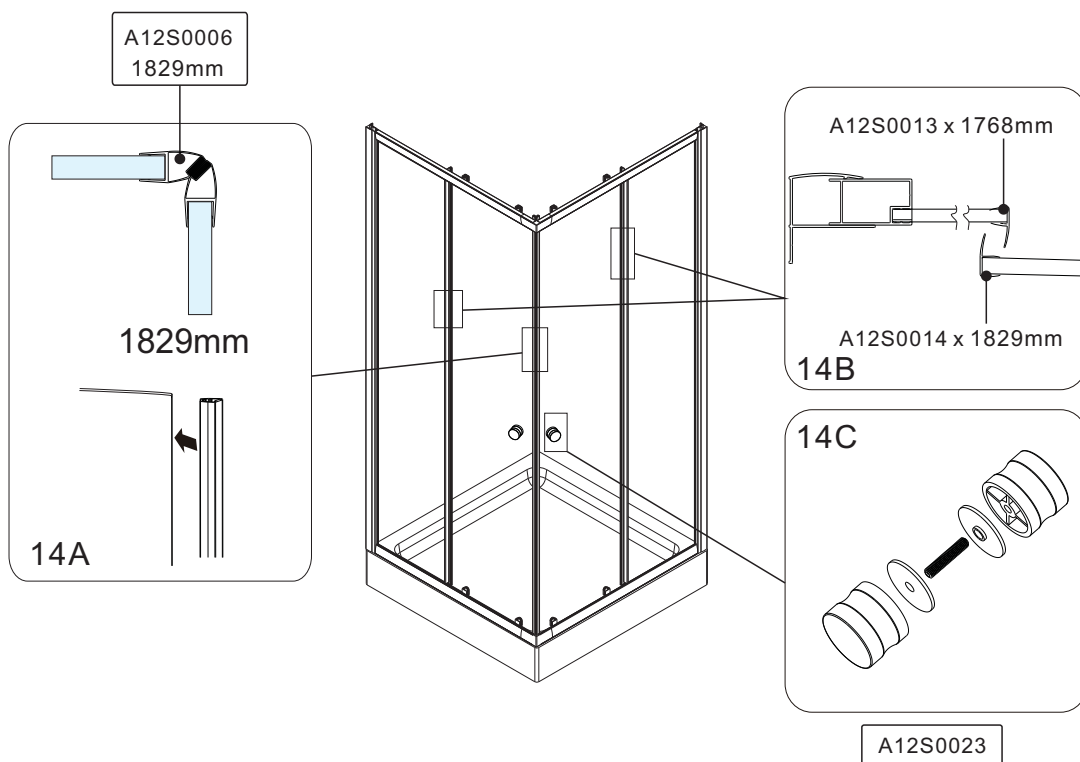


12

To fit your door panel firstly hange the top roller to support the weight of the glass panel. You can then leave your door panel hang making it easier to release your easy clean roller into the bottom track

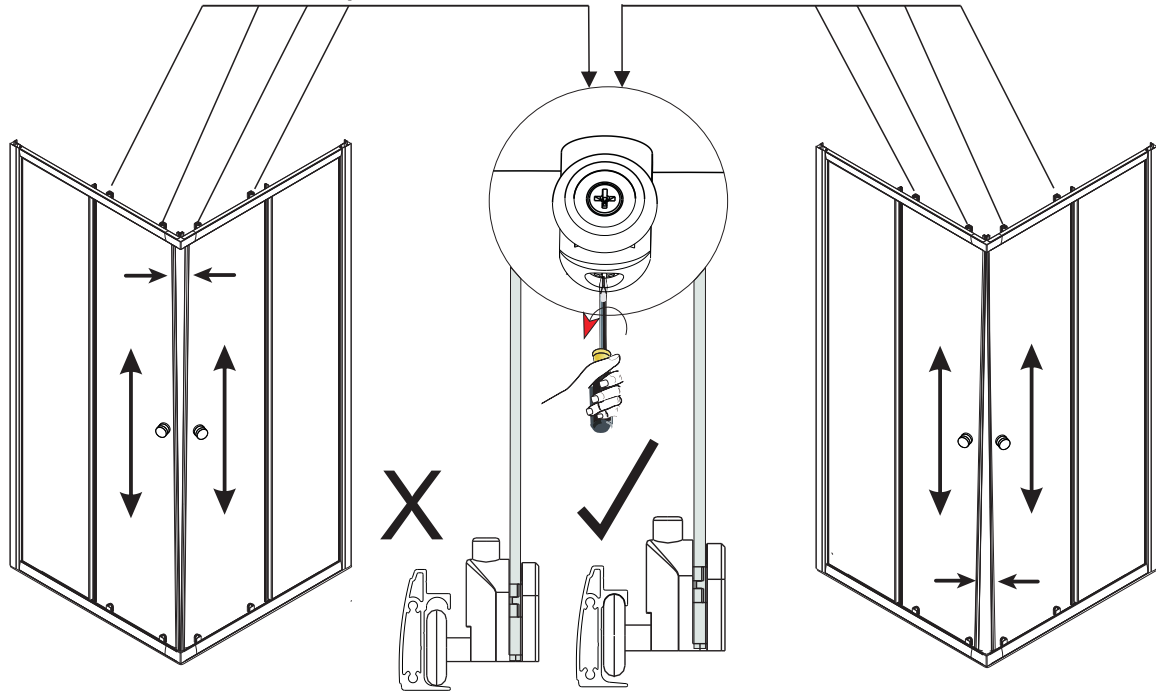


13

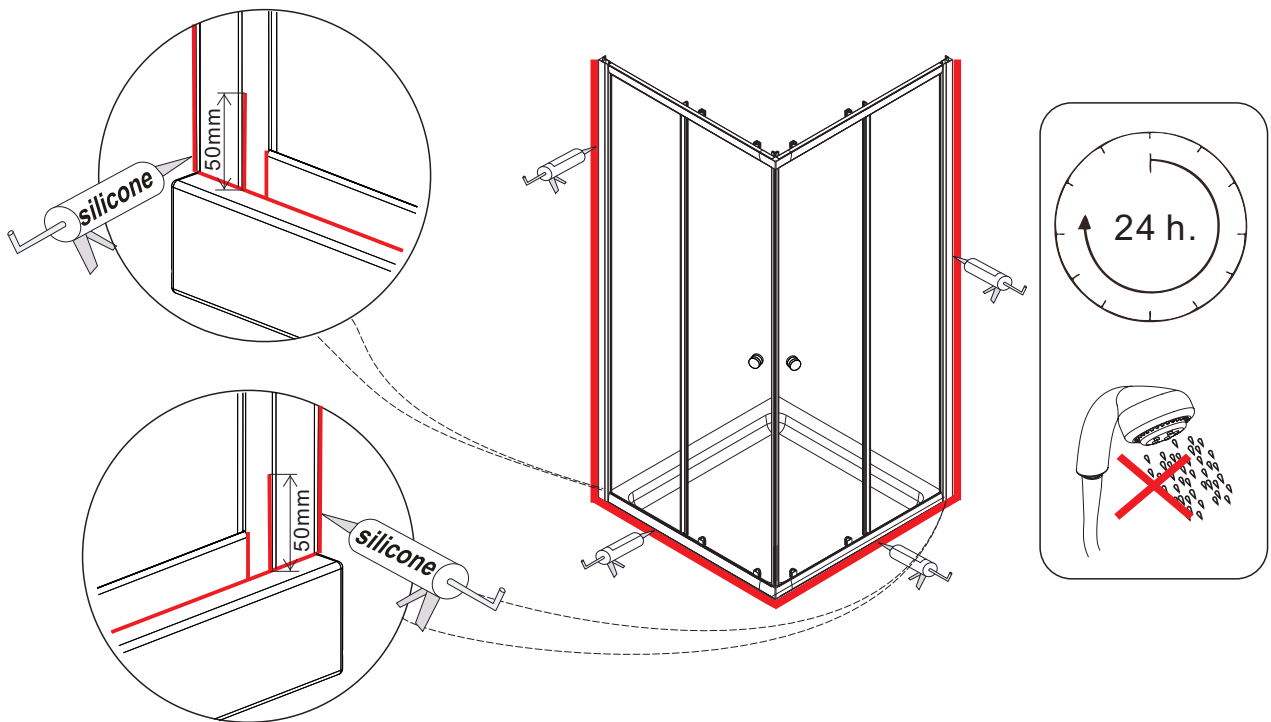


14

You can adjust the gaps between the two door panels by turning the adjustment screw in the top roller.



15



16

CE

Mertyn Industries Ltd (MER09)
Purcellsinch, Kilkenny, IRL.

15

EN 14428

Shower enclosures with aluminium
profiles and safety glass

Cleanability : Pass

Impact resistance/
shatter properties : Pass

Durability : Pass