

TECHNICAL DATA SHEET

RADVA1 - Angled Wall Mount Rad Valve Pair

Product Specification

Product Code	RADVA1(JQ121)
Net Weight (kg)	0
Gross Weight (kg)	0.7

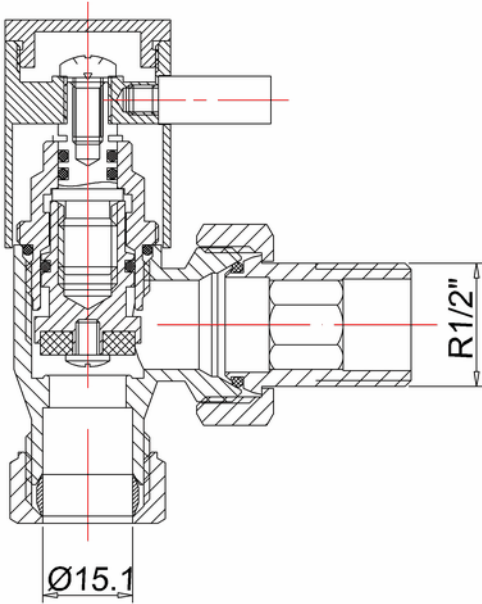


This photograph illustrates the product design and is not necessarily the finish described in the text.

TECHNICAL DATA SHEET

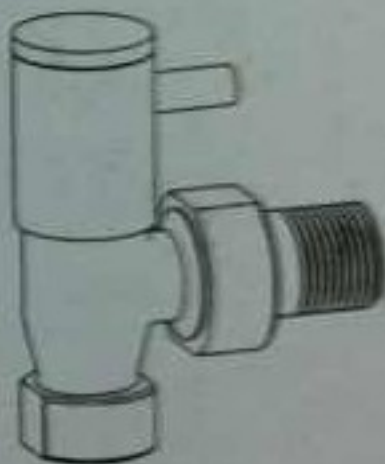
RADVA1 - Angled Wall Mount Rad Valve Pair

Product Drawing



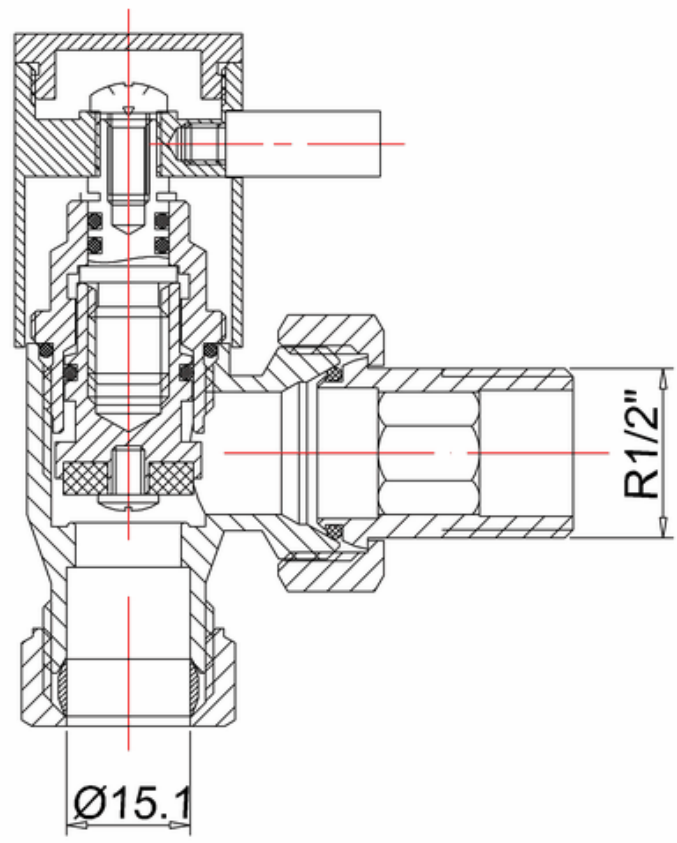
BAUHAUS Angled Radiator Valve

Comprising:
2 chrome contemporary valves



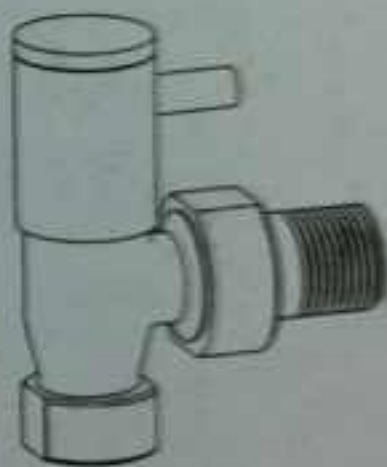
crosswater^x

RADVA1 - Angled Wall Mount Rad Valve Pair



BAUHAUS Angled Radiator Valve

Comprising:
2 chrome contemporary valves



crosswater[×]