

Identiti²

4 Fold Bath Screen

april[®]

INSTALLATION INSTRUCTIONS

www.aprilproducts.co.uk

Item Number:AP9576S

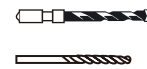
Lifetime Product Guarantee

To activate your Product Guarantee please visit www.aprilproducts.co.uk and complete the online form.

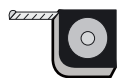
Tools Required



Drill



8 mm Masonry Drill
2.75mm HSS Drill



Tape Measure



Spirit level



PH2 TYPE
Screwdriver

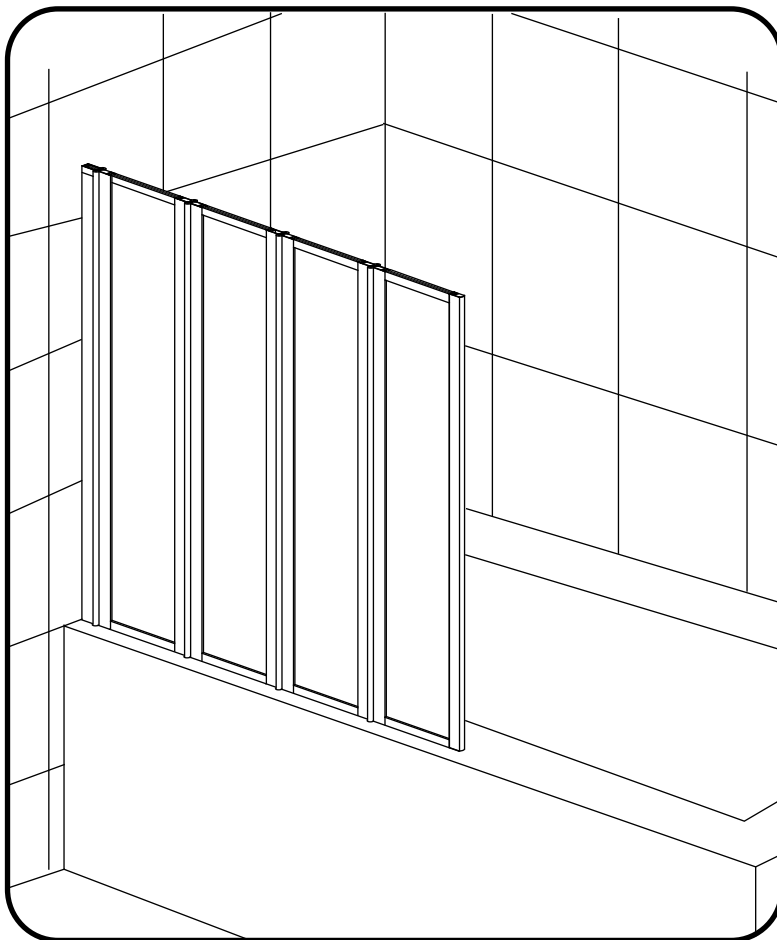


Pencil



Sealant Gun

Please note hand tools **NOT** supplied.



IMPORTANT

The screen can be constructed either way up, for left or right hand opening.

These instructions assume that installation is done against solid/tiled wall.

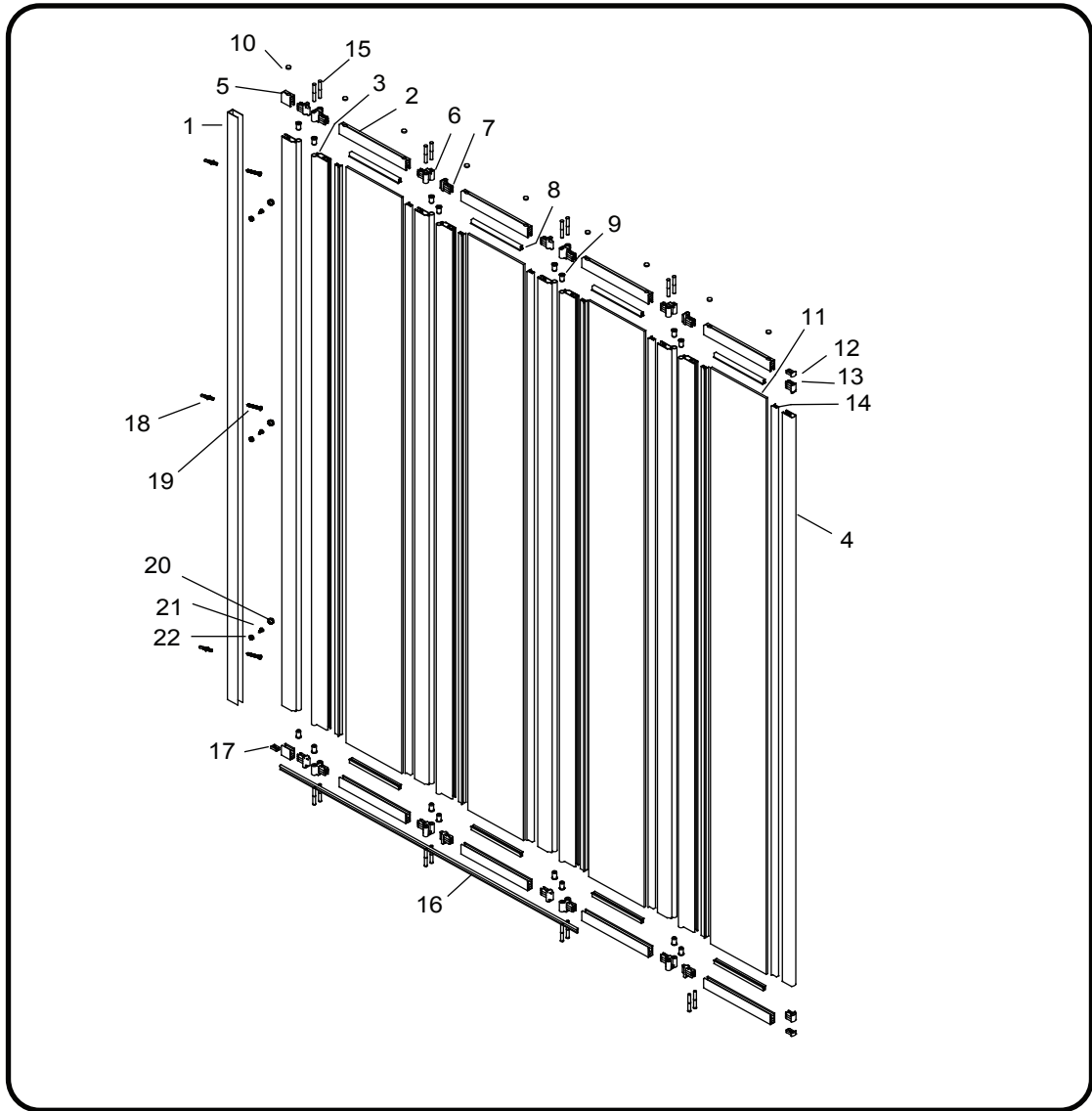
The wall plugs supplied with the installation kit are for use on solid walls. Hollow or stud-partition walls will require alternative fixings. Please consult with a reputable trades person or hardware supplier for the correct type of fixing.

It may also be necessary to consult your tiling supplier about the correct method for drilling your tiles.

Please check this product for damage prior to starting the installation. No claims can be made after the product has been fitted. This is a 2 person installation. Please note the minimum and maximum adjustment for this product are based on perfectly plum walls.

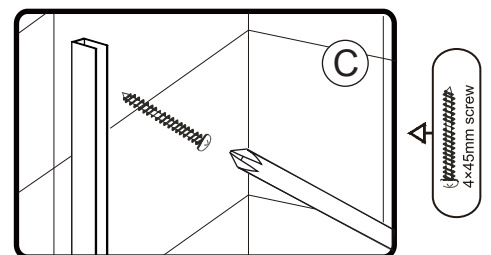
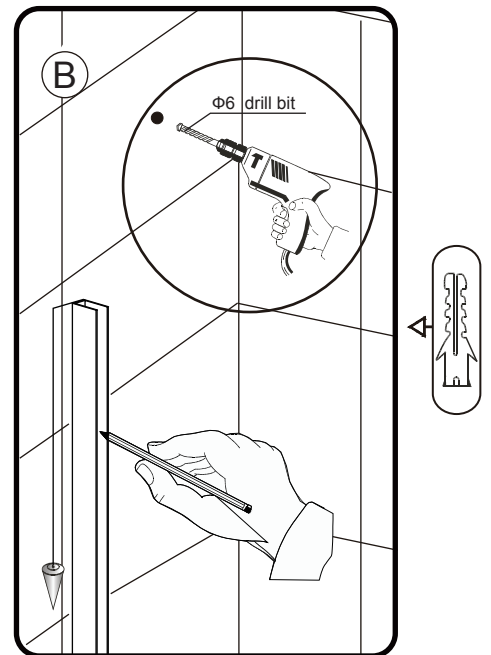
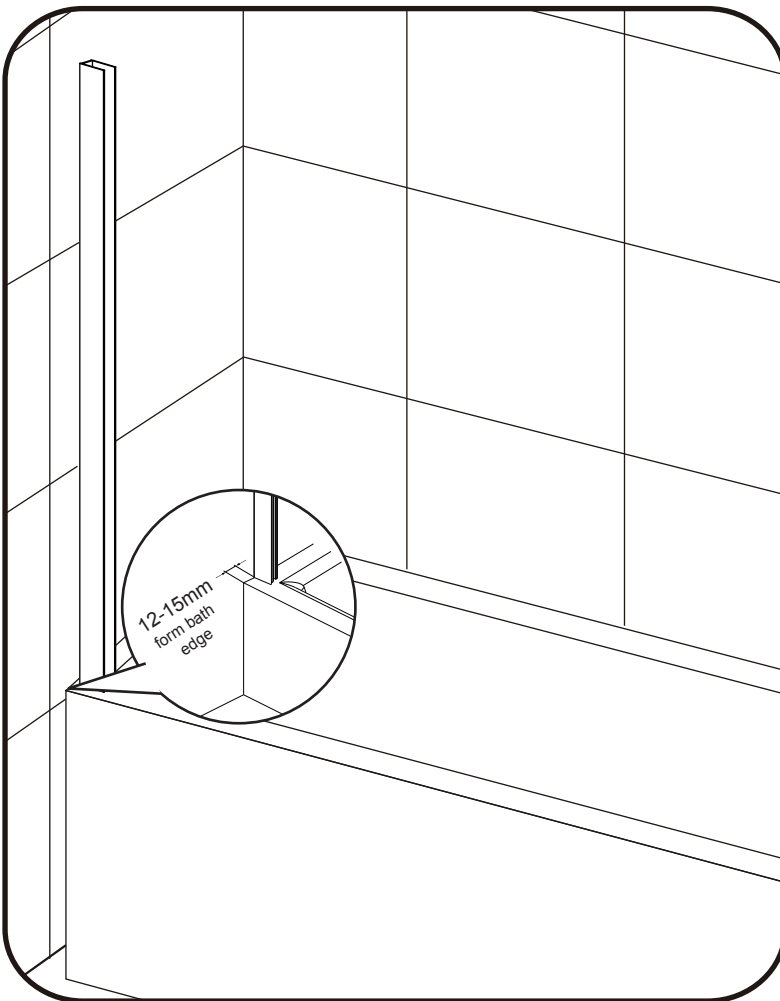
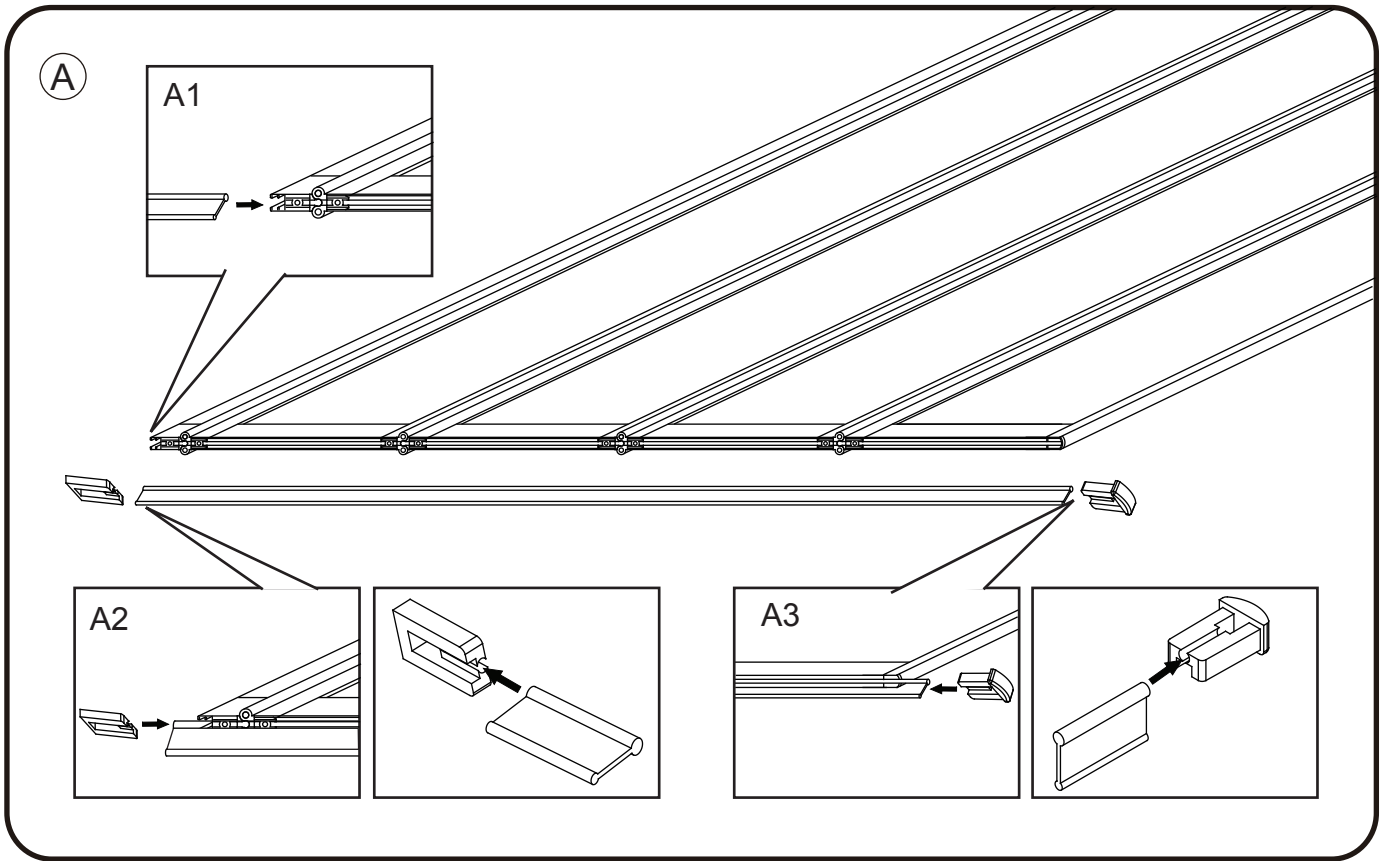
USE SAFETY EYE-WEAR WHEN DRILLING

COMPONENTS AND BOX CONTENTS



Box Contents

NO.	Description	Qty	NO.	Description	Qty
1	Wall profile	1	12	End cap	12
2	Horizontal frame profile	8	13	Seal fixing A	4
3	Vertical frame profile	8	14	Vertical fixing seal	8
4	End profile	1	15	Fixing bolt	16
5	End plug	2	16	Bottom seal	1
6	Frame profile connector A	8	17	Seal fixing B	1 SET
7	Frame profile connector B	8	18	Wall plug	1 SET
8	Horizontal fixing seal	8	19	Screws ST4 × 45	3
9	Nylon sockets	16	20	Cover cap	3
10	Caps A	18	21	Screws ST3.5 × 10	3
11	Glass panel	4	22	Caps B	3

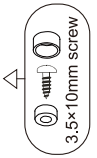
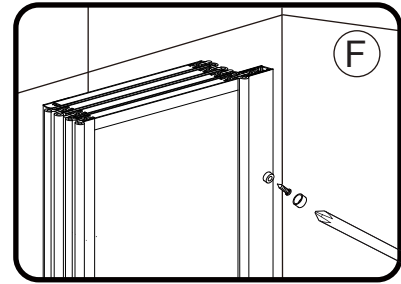
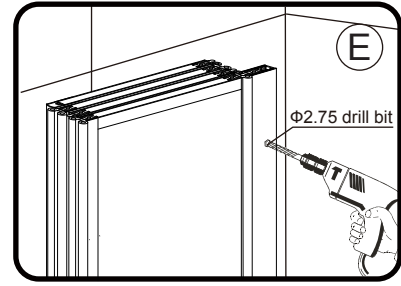
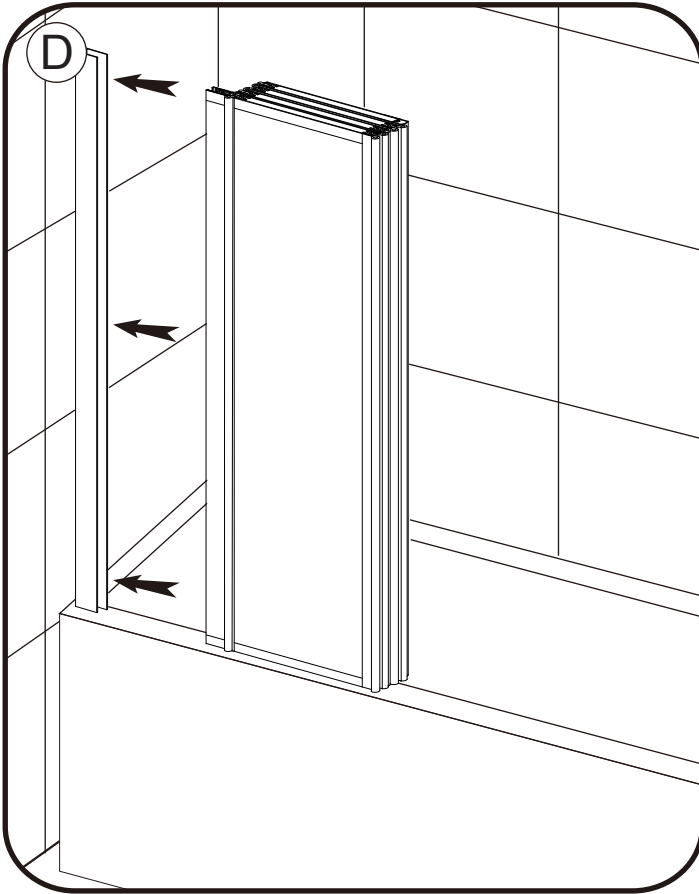


Step 1: Position the wall profile (1) onto the bath , approximately 12-15mm from the outside bath edge to ensure that the screen runs along the inside edge of the bath rim. (A).

Step 2: Level the profile with a spirit level , then mark the position using a pencil. Mark through the 3 pre-drilled screw holes in the wall profile,drill the marked points using a 8mm masonry drill bit. Once this is done insert 3 wall plugs(18) (B).

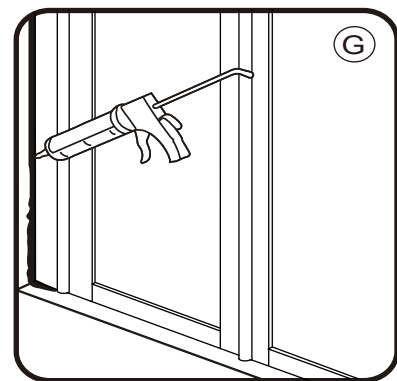
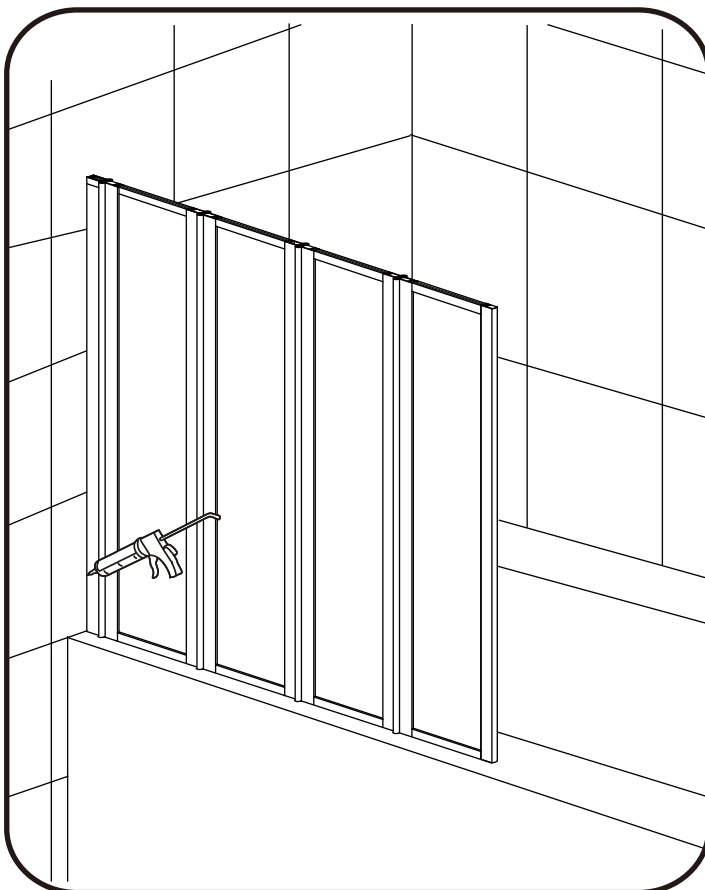
NOTE :You may find it easier to mark and drill the wall if you apply masking tape to it first.

Step 3: Secure the wall profile using 3 x ST4X45 screws (19). (C)



Step 5 : Carefully position the screen into the wall profile. (D)

Step 6 : Secure to the wall profile using 3 x ST3.5X10 screws (21) and cover caps (20,22) (E) (F)



Silicone the outside of the vertical wall post as shown

24 HRS	DO NOT USE THE ENCLOSURE FOR 24 HOURS AFTER SEALING

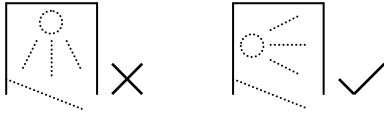
AFTERCARE

Cleaning Instructions

It is important to clean your April shower enclosure after every use. Please wipe down all glass and metal parts with a clean soft cloth. Ensure that all residual water on the glass is removed after every use.

Usage

For reliable, watertight performance from your April enclosure your shower head should not be positioned so that the shower sprays directly onto the enclosure door. Failure to comply with this may cause the shower to leak. Outward opening doors may cause water to drip onto the floor, please ensure that the floor covering immediately outside the enclosure will not be affected by water.



Clean & Clear™
Easy Clean Glass Treatment

This product has been treated with Clean & Clear™ easy clean glass treatment, a protective barrier which creates a 'non-stick' surface on your glass, helping to resist lime scale build up and water spots. For further information on Clean & Clear™ please visit www.aprilproducts.co.uk

Aftercare

Clean & Clear™ glass can be cleaned with any suitable nonabrasive glass cleaner - with PH value of between 3-11; the coating will not be damaged. Avoid surfactants and heavily perfumed products. Vinegar and water based products are very effective. Do not use abrasive scrubbing cleaners or equipment for cleaning.

Warranty

Limited 5 year Warranty for Clean & Clear™ treatment: To guarantee treated surfaces will remain more repellent than untreated glass for 5 years from start of use, as long as basic manufacturer maintenance recommendations are followed and no harsh or abrasive cleaners are used.

Aftercare & Reapplication Kit

To continue the benefits of the Clean & Clear™ glass treatment an aftercare & reapplication kit is available at www.aprilproducts.co.uk