

# BATH INSTALLATION AND CARE INSTRUCTIONS

www.aprilproducts.co.uk

april<sup>®</sup>  
BATHING

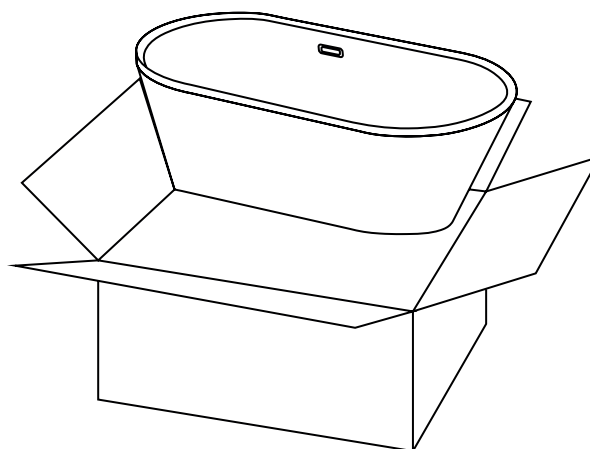
SINCE 1985

## IMPORTANT NOTICE - PLEASE READ

Please read these instructions carefully. It is advised that a qualified plumber fit and install this bath. Failure to adhere to these instructions will invalidate the manufacturers guarantee and no responsibility will be accepted for any loss or damage. This does not affect your statutory rights.

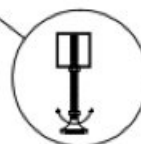
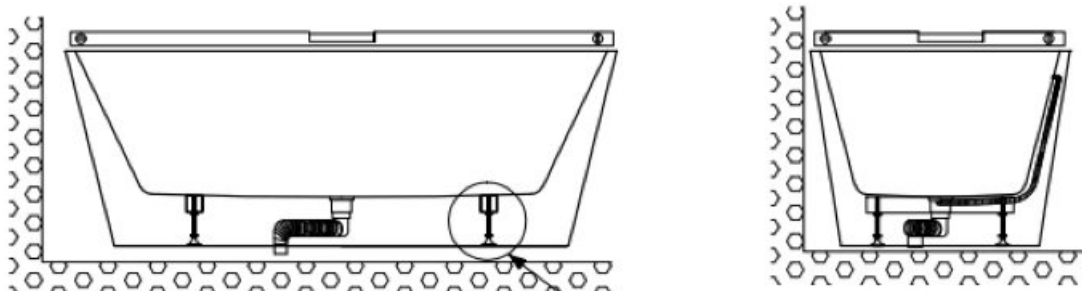
**Please inspect this product immediately for damage, size and colour. Do not install this product if you are not satisfied, as no claims for consequential damage will be accepted.**

**Step 1.** Remove the bathtub from the packaging and check for any missing components prior to installation. Clean, level and prepare the floor for installation.



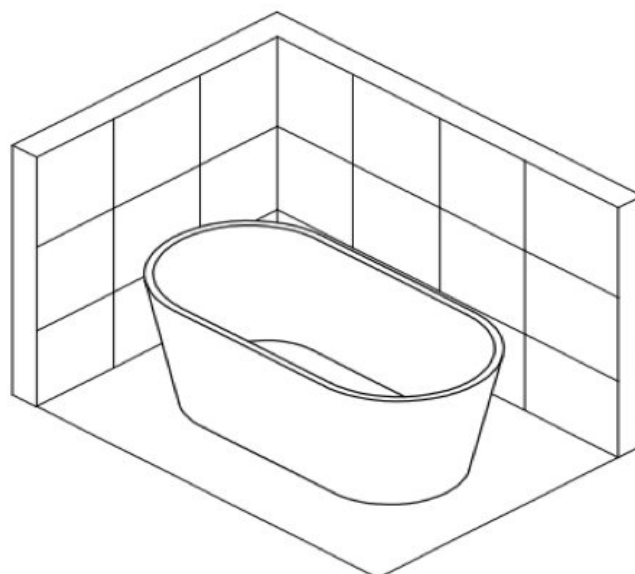
**Step 2.** Determine the location of the drain pipe on the floor by taking measurements of the drain and waste location beneath the unit.

**Step 3.** Place the bathtub in the designated space ensuring that the drain and waste locations match with that of the tub, ensure the water outlet pipe is connected. Adjust the balancing feet as needed using a level.



Adjustable Balancing Feet

Step 4. After adjusting the balance of the bathtub with a level, use white or clear silicone around the tub base to complete installation.



## AFTERCARE

### CLEANING

The bath has been independently tested to all relevant standards which include staining & chemical resistance. We advise the use of a non abrasive bathroom cleaner. The cleaner must be washed off after use and not left on the bath surface for more than 5 minutes.

**Do Not** use cream cleaners or cleaners containing bleach

**Do Not** scrub or scour

**Do Not** use abrasive cleaning agents

**Do Not** use solvent based cleaners

Using any of the above cleaning products will cause the surface to deteriorate and invalidate the guarantee.

### SCRATCHES

The bath should be free from any scratch or indents. If a scratch does occur during the life of the bath it may be possible to polish out fine scratches using a white t-cut automotive polish restorer. These can be purchased from any automotive store.