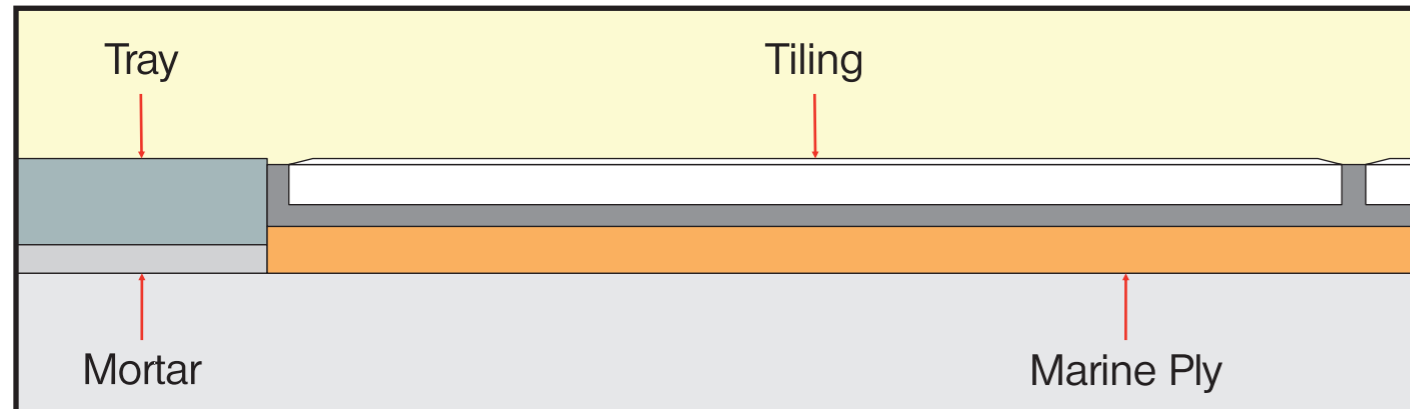
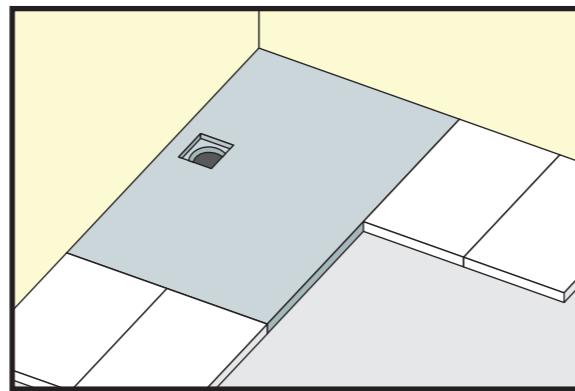


C) For level access installation

Step 1) Follow the instructions for either wooden floor or concrete installation. To provide a level finish you must make sure that all the materials being used equate to the height of the shower tray supplied

Step 2) Check the rim height of the product to correspond with the level of your floor finish. Please note there may be some manufacturing tolerance from product to product.

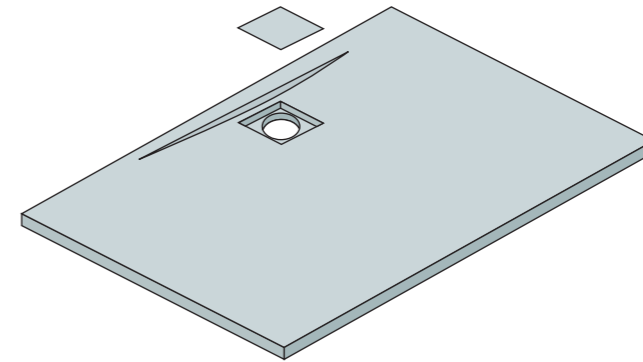


Wet Room Application

If your tray has been purchased to be fitted as part of a wet room area with no surrounding glass, ensure the floor around the tray is adequately sealed as water may escape.

See your retailer/installer for full details on wet room tanking systems.

Slimline Trays Installation Instructions



Important please check that

- Only neutral mould resistant silicone should be used. Any Other type of sealant can damage the tray
- The site is big enough for the tray and subsequent enclosure.
- Prior to installing the tray, remove packaging and carefully inspect the surface for imperfections or damage.
- **Fitting the tray is acceptance of quality. No liabilities can be claimed for damages after the tray has been fitted.**
- The sitting of the tray is in a 90 degree corner.
- Please check the tray height as there are manufacturing tolerance that must be allowed for.
- The tray must be fitted with the waste supplied. Failure to fit the supplied waste may lead to drainage issues and an incompatibility with the dedicated waste cap.
- If the product is not being fitted immediately it must be stored flat on a solid, level surface.
- Check the surface of the tray thoroughly for any damage or marks.

NOTE:

WHERE A TRAY HAS BEEN INSTALLED CONTRARY TO THESE INSTRUCTIONS NO LIABILITY CAN BE ACCEPTED FOR ANY LOSS OR DAMAGE HOWEVER CAUSED.

ATTENTION!

DO NOT OVER TIGHTEN THE SHOWER WASTE ON INSTALLATION. SEE INSTALLATION FOR CORRECT FITTING.

Maintenance

The tray can be maintained as good as new by following these guidelines.

- 1) Dry out the tray fully after every use to avoid the build up of lime scale and soap residue.
- 2) Clean the tray out regularly with a damp cloth or sponge followed by a soft dry cloth.
- 3) Occasionally use a non-abrasive cleaner to remove any stubborn stains.

Customer Guarantee

We guarantee this product against faulty material or manufacture provided it has been installed, used and maintained in accordance with the manufacturers instructions.

Should a claim arise we will request the following:-

- 1) Proof of purchase
- 2) The product has been fitted/installed in accordance with the fitting instructions.
- 3) The product has been maintained and cared for in accordance with our instructions. If in our opinion the product has been modified, misused, neglected or damaged, we cannot accept any responsibility for failure

Warranty: Limitations

- a) The company warrants that its products will be free of any manufacturing related defect throughout the warranty period. If a product fails within this period as a result of a manufacturing defect then it will agree to either; repair, replace or refund the purchase price of the goods. Where the fault or defect is of a result of defective materials and or services (i.e. installation) supplied by a 3rd party then the purchasers only remedy is against that 3rd party.

Any claim made under the product warranty shall in all circumstances be limited to the repair, replacement or refund of the purchase price. The company shall not in any circumstances be responsible for damages, expenses, compensation, losses or other liabilities however incurred.

- b) Where the company is requested to attend site to inspect allegedly defective goods and it determines that the goods are not subject to a valid warranty claim, then it reserves the right to make a reasonable charge in respect of that visit.

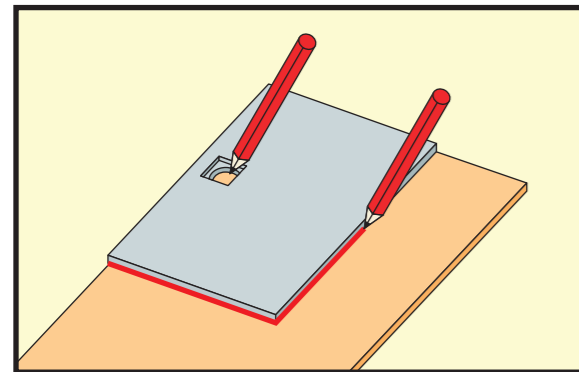
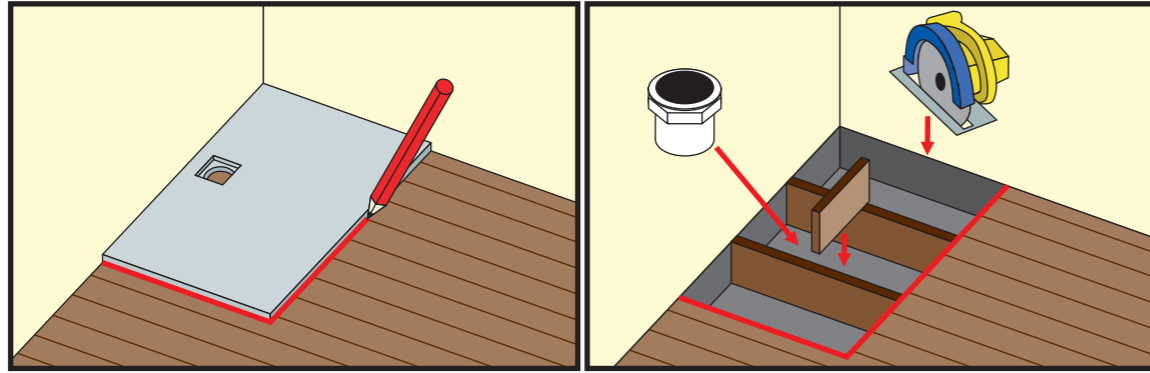
CE

15

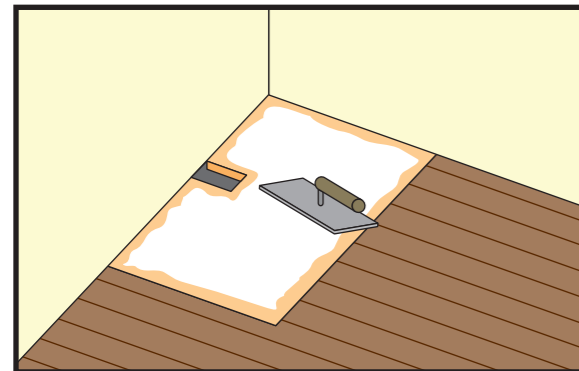
EN 14527 - CL1

A) For suspended wooden floor installation

Step 1) lay the tray into position & make a clear mark around its perimeter. You can then remove the tray and the existing flooring. Fit additional joist supports to ensure complete support of the outer rim of the tray and waste area.

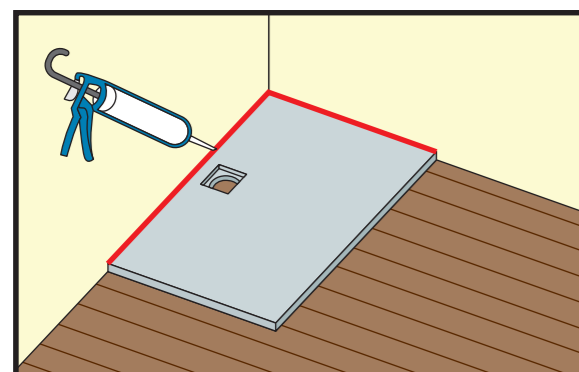
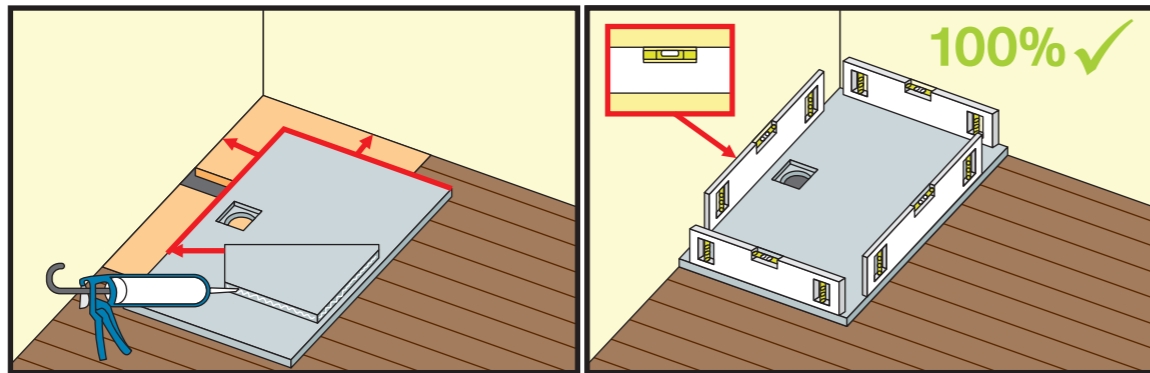


Step 2) using a sheet of marine plywood with a minimum thickness of 12mm mark the trays perimeter and waste hole. Fit all waste services before securing your plywood to your joists. (For sizing please refer to Fig 1 on opposite page)



Step 3) Clear the area of debris Apply a 5:1 sand and cement mix with a **minimum depth of 15mm** over the entire area of the tray.

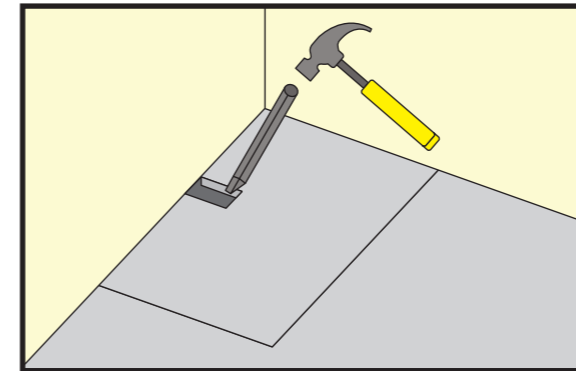
Step 4) Run a large bead of silicone on all edges that will contact the walls. Bed the tray with fitted waste into the sand and cement mix making sure the tray is 100% level on all sides.



Step 5) Run a further bead of anti bacterial silicone around the rims of the tray Adjacent to all walls. Allow all aspects of material to cure according to the instructions.

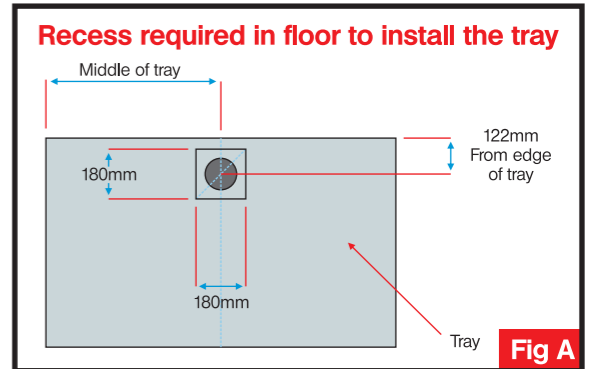
B) For concrete floor installation

Step 1) Lay the tray into position and mark out the tray perimeter and the position of your waste hole (Fig A).

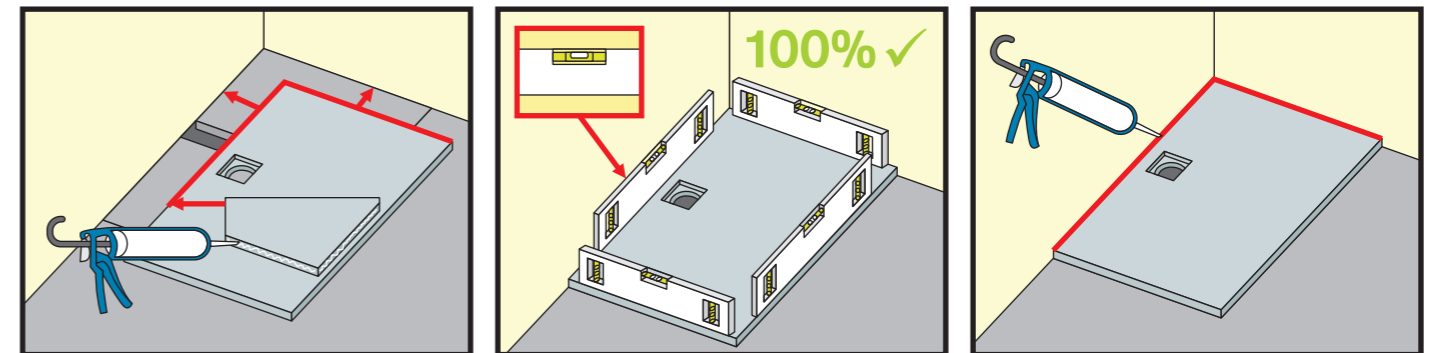


Step 2) Remove the concrete from the waste area allowing enough depth for the provided waste and waste pipe connections.

Step 3) Clear the area of any debris and apply your 5:1 sand and cement mix over **the whole area of the tray at a minimum depth of 15mm**.



Step 4) repeat the above steps 3, 4 and 5 making sure the tray is 100% level.



Recommended shower head and panel / shower door positions

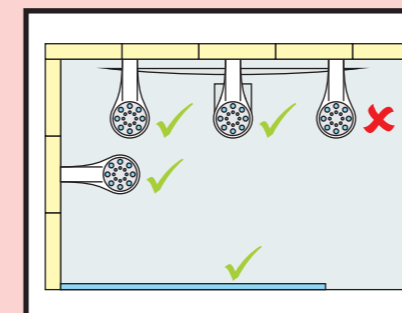


Fig 1 - Walk in Front Panel

Always use glass panel which is at least 3/4 of the length of the tray. Never fit shower at the open end.

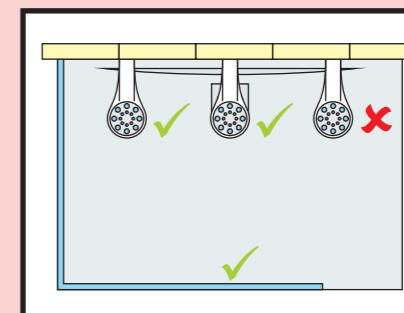


Fig 2 - Walk in Front & Side Panel

Always use glass panel which is at least 3/4 of the length of the tray. Never fit shower at the open end.

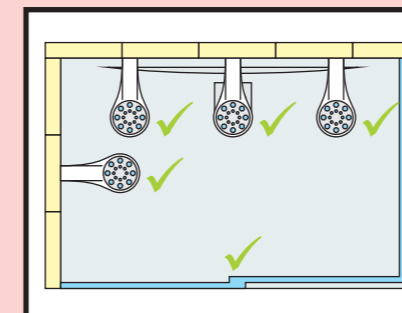


Fig 3 - Door Enclosure

Full Enclosure suitable for water supply in all positions.

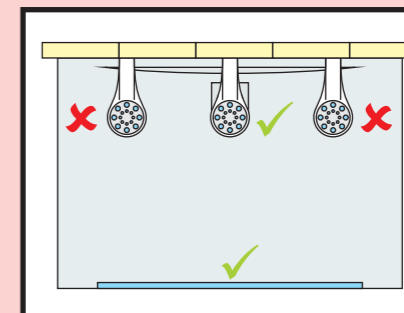


Fig 4 - Walk in Centre Panel

Only fit shower in centre of tray. Not at open ends.

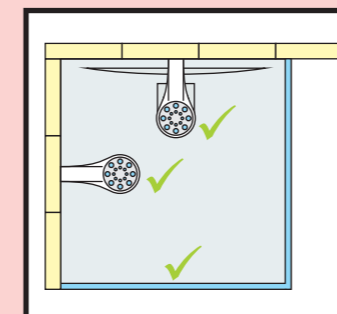


Fig 5 - Square Full Enclosure Only

900 square tray must be fitted with complete shower surround.

