

# INFINITE RANGE - SIDE ACCESS BOW SLIDER



## SIDE ACCESS SLIDING BOW DOOR FOR PENINSULA APPLICATION

Please read these instructions before installing, as incorrect fitting will invalidate the guarantee-carry out each stage before moving onto the next. **Do not dispose of packaging**, no claims for missing or damaged parts will be accepted if packaging has been disposed of. There are three sets of instructions enclosed in this pack. Select the set to suit your configuration.

1. Side Access Slider Bow Door Only (Recess)
2. Side Access Slider Bow Door + 1 Side Panel (Corner)
3. Side Access Slider Bow Door +2 Side Panels (Peninsula)

If you are unsure about these instructions please contact Kudos Shower Products: **01539 564040**

### IMPORTANT SAFETY NOTICE

The glass supplied with this enclosure is toughened safety glass in accordance with British Safety Standards. Care should be exercised when handling the glass to avoid knocking or bumping the glass, particularly the edges and corners of the glass as this could cause the glass to shatter into small fragments. It is essential to protect the glass by resting it on a soft protective surface during installation such as cardboard or carpeting.

### KEY STAGES TO INSTALLATION

- 1 Check package contents
- 2 Install wall frames vertical and plumb.
- 3 Fit fixed glass side panels
- 4 Fit Head and Bottom rails
- 5 Adjust, plumb, level then tighten clamps
- 6 Fit door glass into rails
- 7 Fit the handle
- 8 Fit the door seals
- 9 Fit wall profile covers
- 10 Remove protective film from wall profile covers
- 11 Fit seals between glass and wall profiles
- 12 Silicone seal the unit

### TOOLS REQUIRED

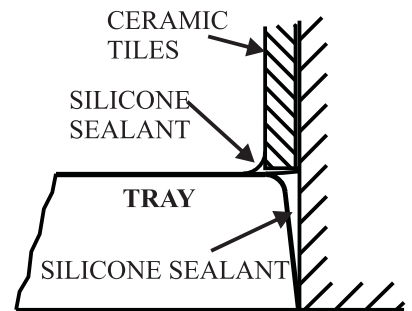
- Flat-headed screwdriver - medium
- Pozi-drive screwdriver - medium
- Spirit level
- Tape measure
- Silicone sealant - clear
- Electric drill
- 7mm masonry drill
- 2.5mm & 3mm allen keys (supplied)
- Pencil
- Screw wizard tool (supplied)

Use this useful screw wizard tool to insert screws through wall profiles into wall and start first one or two turns then use your conventional screw driver.



### IMPORTANT

- Check appearance of shower enclosure. Any defects must be reported to Kudos Shower Products before assembly / installation.
- Claims for imperfections will only be accepted prior to assembly / installation
- Ensure shower tray is level in all directions
- Prior to installation, any gap or crevice between the rim of the tray and wall must be filled with silicone sealant flush with the rim of the tray - see detail opp.
- Waterproof walls using ceramic tiles/shower panels etc., before installation.
- Fully seal between the tiles and the tray **BEFORE installing the enclosure**
- Check the enclosure adjustment sizes are suitable for your installation
- Use care when drilling into walls to avoid hidden pipes or electrical cables



### CLEANING

**GENERAL** - for frame work and fixings use only warm soapy water and damp cloth/ sponge on a regular basis. After cleaning please rinse with clean water to remove any residue

Do not use abrasive scouring powders, chemicals or aerosol cleaners - these may result in damage to the surfaces, in particular, the plated component parts. **See instruction below for glass cleaning advice.**

### LIFESHIELD

Your Kudos Product is pre-treated with Life Shield on the inside surfaces only. While this makes cleaning the glass a lot easier and helps prevent the build up of harmful lime-scale and soap deposits the glass still needs to be maintained on a regular basis. We recommend the use of a detergent and aroma free glass cleaner (A 50/50 mix of White Vinegar and Water works well!!) Strong detergents and abrasives can damage the coating.

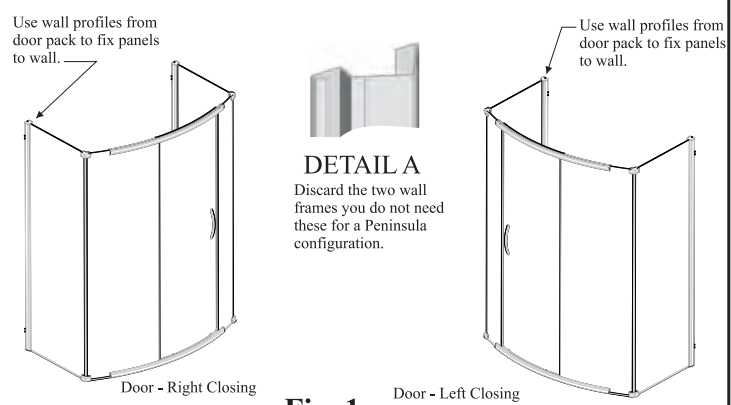
**DO NOT** use abrasive cleaners or abrasive scrubbing equipment for cleaning!!

**DO** use a squeegee to remove remaining droplets of water from glass after showering, any build up of residue can be removed easily using an appropriate cleaner and agitation from soft cleaning equipment

**THESE INSTRUCTIONS TO BE LEFT WITH THE CUSTOMER**

- 1 CONTENTS**, carefully check contents. It is advisable to keep contents in protective packing until required.
- The door can be installed with the closing side to either the left or the right. The side panel can be fitted either side. Decide at this stage which configuration suits your need.

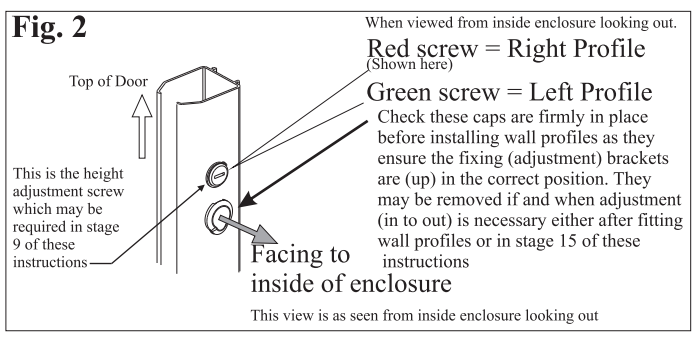
**IMPORTANT:** for a Peninsula configuration the two wall frames as shown in Detail A below are not required.



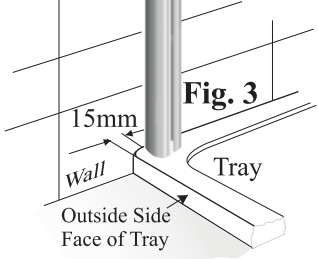
**Fig. 1**

**THE DOOR CAN BE INSTALLED WITH THE CLOSING SIDE EITHER LEFT OR RIGHT. IN SOME OF THE FOLLOWING VIEWS THE PANELS ARE OMITTED FOR CLARITY.**

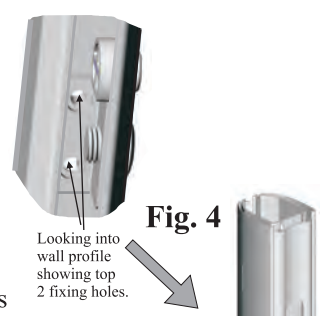
- 3 FITTING THE WALL PROFILES**, Looking outward from inside of the enclosure, the left wall profile is identified by the green screw which should face the inside of the enclosure and be nearest to the top. Similarly the right wall profile shown here in Fig.2 is the one with the red screw which should face the inside of the enclosure and be nearest to the top.



Each wall profile is screwed to the wall with 4 No8x30 screws and wall plugs (provided). Position one wall profile on tray 15mm from side face of tray (see Fig.3) and using a spirit level ensure it is vertical (not leaning backwards or forwards in the opening). Mark the position of the 4 holes on the wall wall profile. Remove wall profile and drill holes in wall using 7mm masonry drill bit.



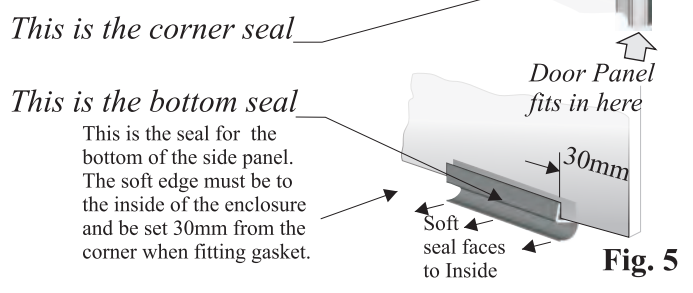
**Fig. 3**



**Fig. 4**

Insert wall plugs provided (or fixings to suit the construction of your walls) screw wall profile into position. Then repeat process for the other wall profile. Use spirit level to check the wall profiles are vertical. If not, adjust using the lateral adjustment screws: (see "Guide to Adjustments" in stage 10 further in these instructions to identify the lateral adjustment screws)

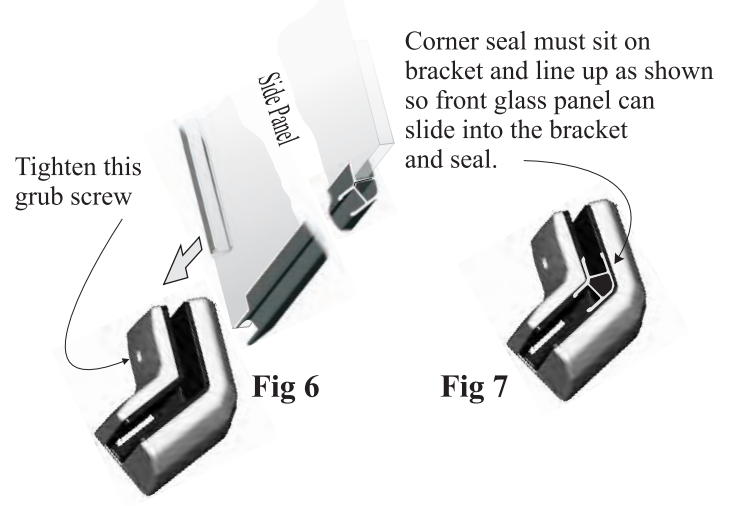
- 4 FITTING SIDE GLASS PANEL**, 4.1 On each large glass side panel there is a corner seal into which one of the door side panels will be inserted to form the corners. Using the detail in Fig. 5 determine the bottom of the large side panels and fit the bottom seals as shown.



**Fig. 5**

**Wet the seals and the glass edges with water to make insertion easier**

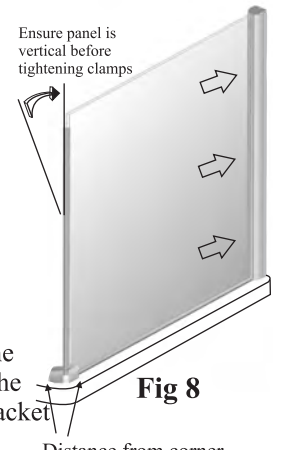
Fit the corner brackets by sliding them onto the outer bottom corner of each large side panel (Fig. 6) until the edge of the corner seal lines up with the bracket as shown below in Fig.7. Tighten grub screw on the inside face with the 3mm allen key supplied.



**Fig 6**

**Fig 7**

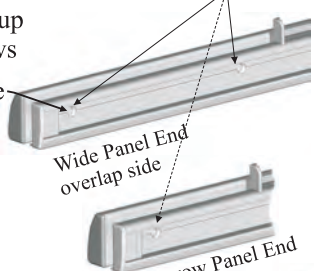
4.2 Insert large side panel into wall profile glass clamps (see Fig.8) with the soft seal onto the tray and the fitted corner bracket to the front. Move the panel in or out until the corner bracket is spaced equal distance from the front edge of the tray as it is from the side face of the tray. Ensure the panel is vertical then fully tighten the 3 glass clamps screws using a flat-headed screwdriver see Fig 18. If after adjusting for vertical, the corner bracket is not seated firmly on the tray, loosen grub screws and tap the bracket down onto the tray (caution - do not exceed 5mm adjustment on this bracket) Pack between bracket and tray if you require more adjustment. Now repeat the above process to install the other large side return panel.



**Fig 8**

**5 PREPARING THE RAILS**, The bottom rail will require the nylon height adjustment screws which are pre-fitted to both rails. These are the black nylon hexagonal headed screws that may be adjusted if necessary, later on to ensure the rail is fully supported onto the tray see Fig. 10 - Remove them from one rail and discard, this will then be the top rail. Plugs are supplied to close up the holes after removing these screws

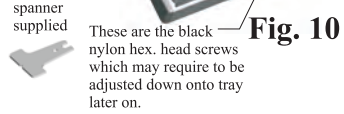
Only remove these 2 screws at wide panel end and 1 screw at other end of each rail



**Fig. 9**

Remove the m5-csk screws from the inside face of both rails at the ends (2 screws at one end and 1 screw at opposite end) this is where the glass will be clamped see Fig.9 and keep these ready for use later on.

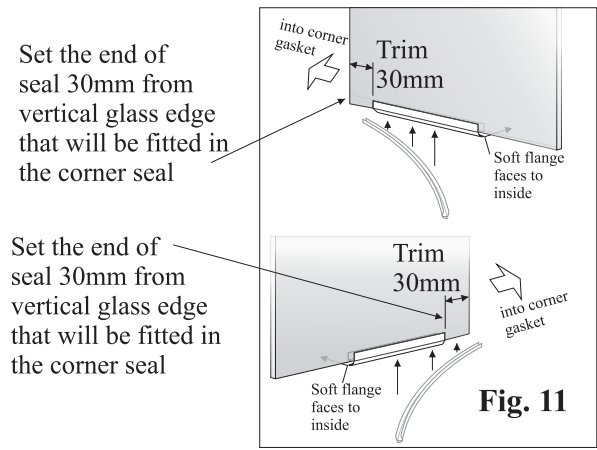
If the height adjustment in stage 9 of these instructions, creates a gap under the bottom rail - this is the spanner (supplied) that you will use to adjust "rail support screws" downwards until they seat onto the tray for the rail to be fully supported on the tray.



**Fig. 10**

The top rail does not require the height adjustment screws.

**6 PREPARING THE FRONT GLASS PANELS:** There is a narrow and a wide glass panel. You will need to swap the pre-fitted gaskets on the bottom edges of the glass with the shorter gaskets supplied in your packaging, these should be fitted onto the bottom of the glass 30mm in from the edge that will go into the corner blocks see the detail in Fig. 11

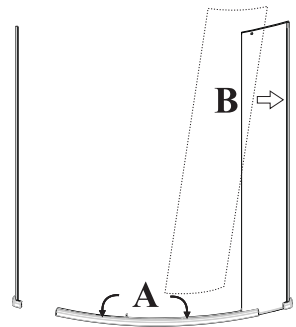


**Fig. 11**

**7 FITTING THE FRONT GLASS PANELS,**

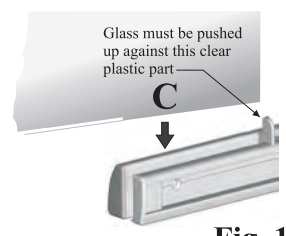
**Step A:**  
Lay bottom rail onto tray approximately in the centre and 15mm back from vertical flat front face of tray.

**Step B:**  
Slide the panel that will form the corner into the corner gasket ensuring glass is flush with top of gasket and press this into the gasket over full height and into bottom corner bracket.



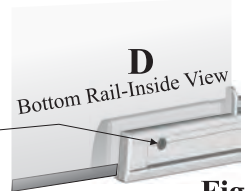
**Fig. 12**

**Step C:**  
Slide panel down into the recess in the bottom rail. Make sure glass is pushed up to and touching the clear plastic part in the bottom rail. The bottom seal must rest on the tray with the soft flange facing inwards.



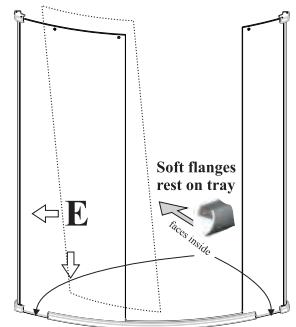
Bottom Rail-Inside View **Fig. 13**

**Step D:**  
Now replace the m5 csk screw which was removed in stage 5 (see Fig.9) of these instructions, into the hole as shown here and tighten using 3mm allen key (supplied) to clamp glass to rail.



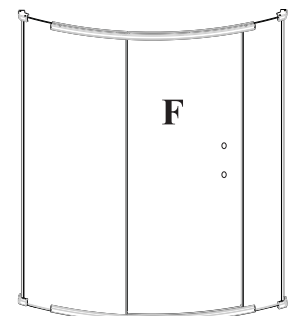
**Fig. 14**

**Step E:**  
Now fit the top corner bracket over the top corner and press down ensuring glass is fully inserted. Then fit the panel that will form the other corner on the overlap side of door repeating the above procedure. Also ensure the glass is pushed up against the clear plastic part. Then replace m5 csk screw(s) as per Step D previously.



**Fig. 15**

**Step F:**  
Now position the top rail onto the two glass panels ensuring the glass is fully inserted into the rail. Push each glass panel against the clear plastic part as before. Insert the remaining two m5 csk screws into the holes at each end of the rail and tighten both.



**Fig. 16**

**8** Place spirit level onto edge of each glass panel to check for vertical. If glass is not vertical refer to guide to adjustments in Fig. 18 stage 10 of these instructions.



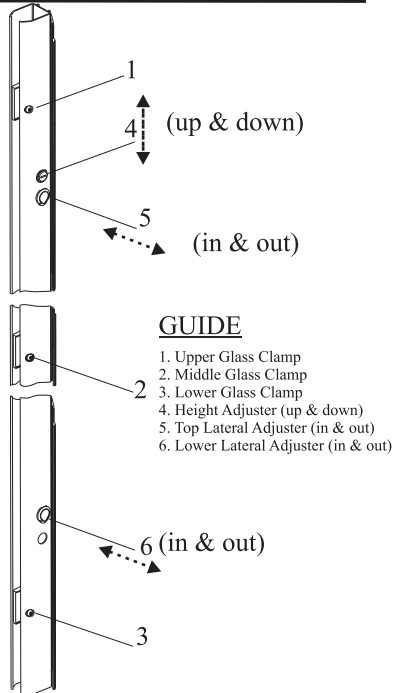
**Fig. 17**

When correctly positioned side panel corner bracket should be 15mm in from flat face of tray on front and side.

**9** LEVELLING THE UNIT, Place a spirit level onto the bottom rail and check if this is level. If not, use the height adjustment screws to level the unit by raising the relevant side. See the “Guide to Adjustments” below in stage 10. If it has been necessary to adjust the height to level the unit, the rail support screws may need to be adjusted downwards until the rail is fully supported on the tray - see Fig.10 in stage 5 of these instructions.

**10** Guide to adjustments shown on inner face of wall profile

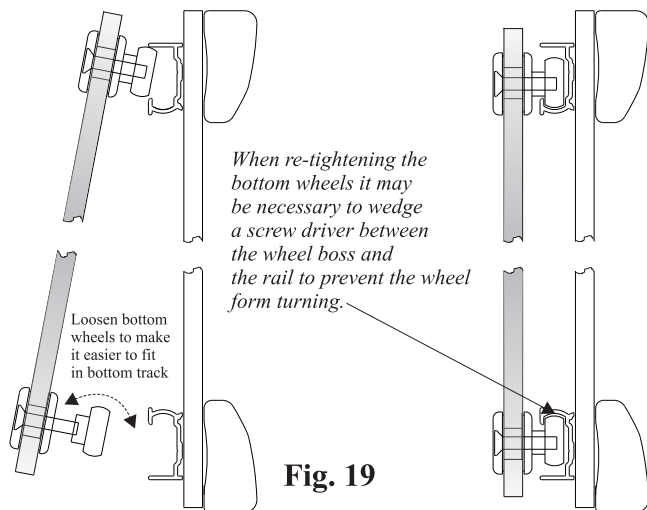
The unit is designed to enable 3 dimensional adjustment during installation without removing any part of the unit already installed. The diagram here illustrates the adjustments possible and their location.



**Fig. 18**

**11** FITTING THE SLIDING DOOR, The sliding door has the four wheels pre-fitted. In order to insert the top wheels into the top track as shown in Fig. 19 - it will be necessary to loosen the two bottom wheels. The door can then be angled as shown and the two top wheels inserted into the track, then lower the door into position by guiding the two bottom wheels into the bottom track.

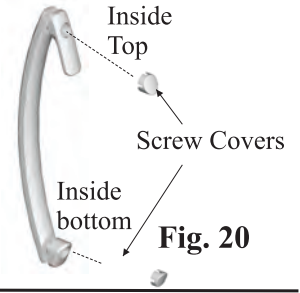
CHECK if the door is hanging vertical to the fixed side panels by comparing the glass edges to see they are parallel on the vertical edges. If not, the door can be adjusted by loosening one or both of the top wheels and moving door glass into correct position, then while holding the glass re-tighten the top wheels. Check again if door is now hanging correctly then re-tighten the bottom wheels, ensuring they are pushed upward in the bottom track. This will prevent the door from “jumping” out of the track inadvertently.



**Fig. 19**

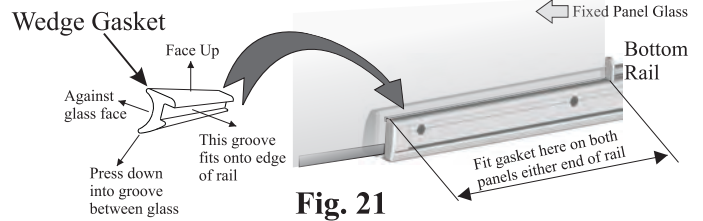
THIS IMAGE IS SHORTENED IN HEIGHT FOR CLARITY

**12** FITTING THE HANDLE, Remove the handle from the packaging and remove the top and bottom screws. Fit to glass in accordance with the detail Fig.20 - Ensure handle is vertical then tighten screws through glass and push in screw covers.



**Fig. 20**

**13** FITTING WEDGE GASKETS, Insert the seals as shown below, Fig.21 - into the recess between the glass and the bottom rail on the inside at the ends of the fixed panels where they are clamped into the rail.

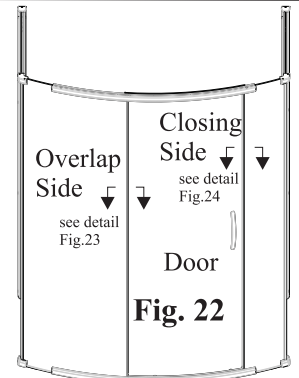


**Fig. 21**

Press wedge gasket seal down until it seats firmly into the recess and locates aluminium bottom rail into the groove as indicated. If difficult to fit, wet the seal and glass with a little water.

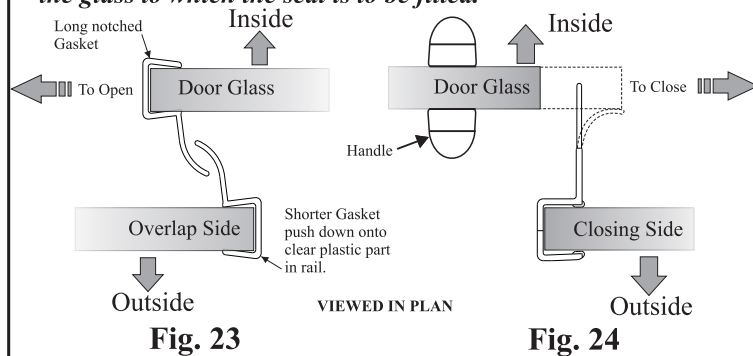
**14** FITTING THE DOOR SEALS, Fit the seals shown in Fig. 22.

On the overlap side the long notched seal fits onto the sliding door glass and the shorter seal fits to the fixed panel as shown, ensure gasket on the fixed panel at overlap is pushed firmly down onto the clear plastic part in the bottom rail. Fit the closing side seal to the fixed panel as in Fig. 24.



**Fig. 22**

*To make it easier to fit, run a wet cloth down the edge of the glass to which the seal is to be fitted.*



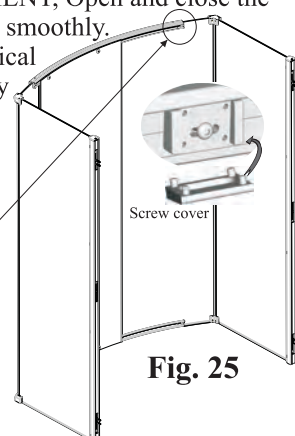
**Fig. 23**

**Fig. 24**

**15** FINAL CHECK AND ADJUSTMENT, Open and close the sliding door and check that it runs smoothly.

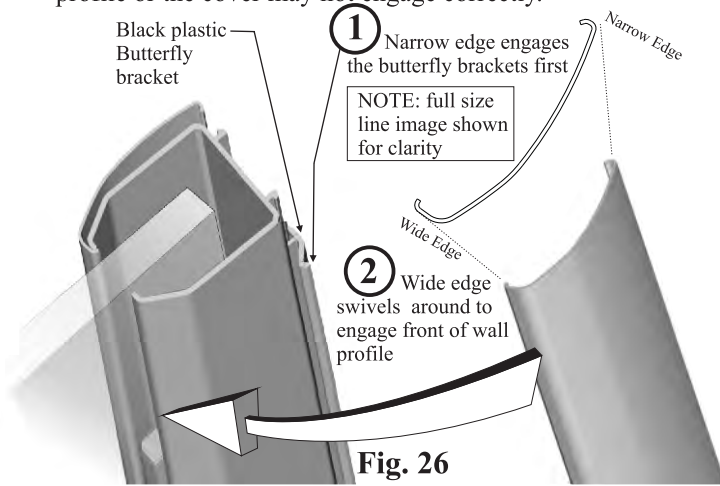
If not, check that the frame is vertical (in to out) not twisted. If necessary the frame can be adjusted using lateral adjustment screws see Fig. 18 in guide to adjustments stage 10

Set into the rail at this point - top and bottom are buffer stops. The door wheels should come into contact at the same time top and bottom with these when closing to avoid causing the door to “kick”. If necessary they may be adjusted up to the wheels in the closed position. Then fit the screw covers.



**Fig. 25**

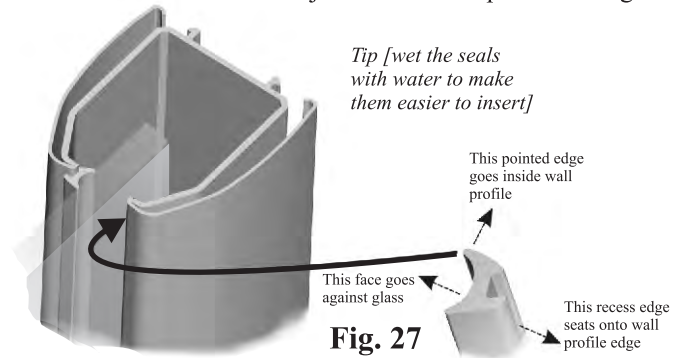
- 16 FITTING THE INSIDE WALL PROFILE COVERS** Care should be used when handling these covers, before they are fitted to the wall profiles. Engage the back edge of the wall profile cover over full height of the butterfly profile and then swivel the cover around to engage over the front of the wall profile and clip into position. NOTE ensure the narrow edge fully engages the butterfly profile over the FULL HEIGHT before swivelling the wider edge onto the front of the wall profile or the cover may not engage correctly.



- 17 FITTING THE GLASS PANEL SEALS:** FIRST Remove the plastic protective film from the wall profile covers at this time by peeling it away. NEXT Fit the glass seals at junction of glass and wall profiles. Fit glass edge seals to both inner and outer faces of two fixed panels at junction of wall profiles and glass

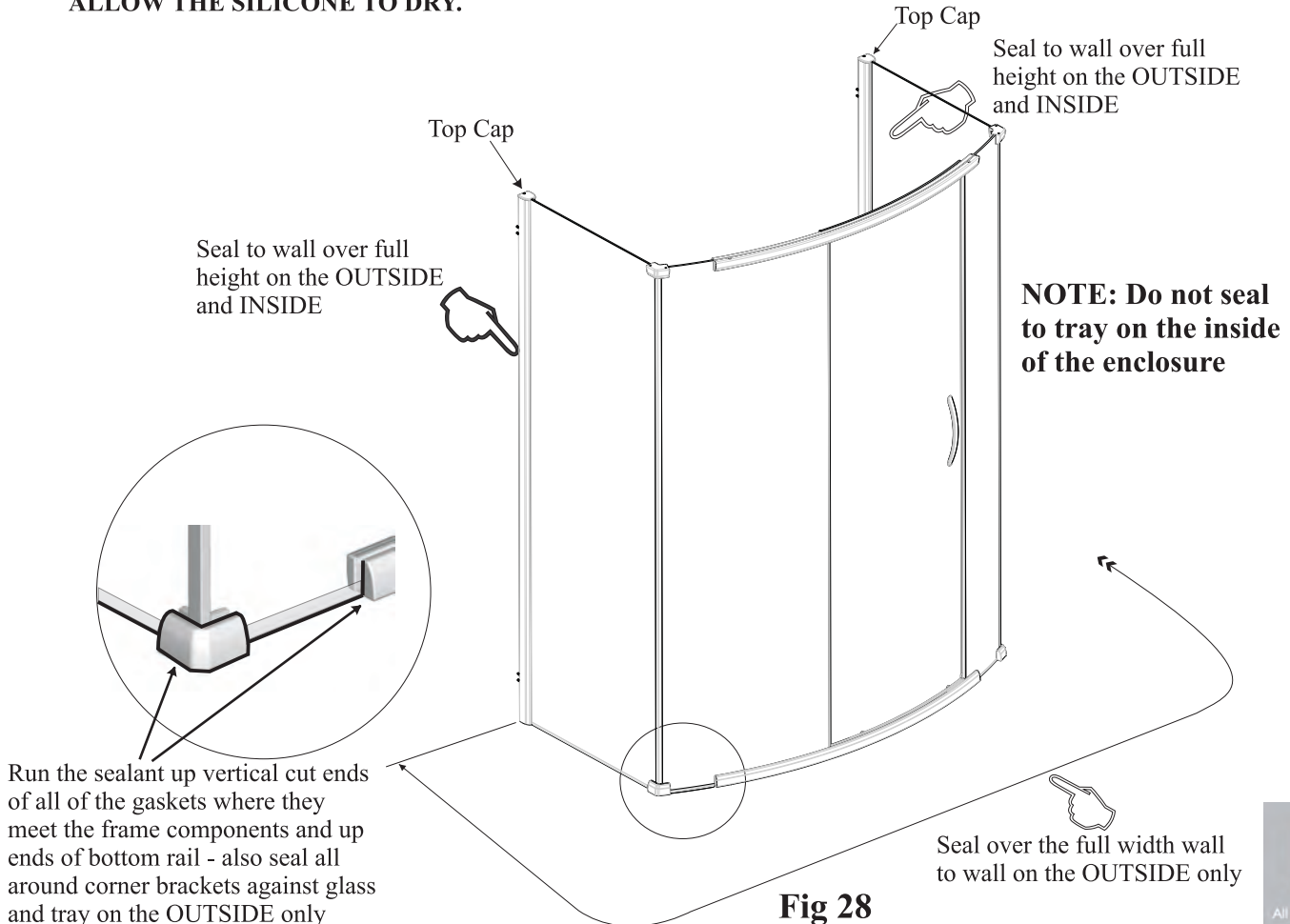
NOTE: different seals on each side.

Fit glass edge seals to both inner and outer faces of two fixed panels at junction of wall profiles and glass



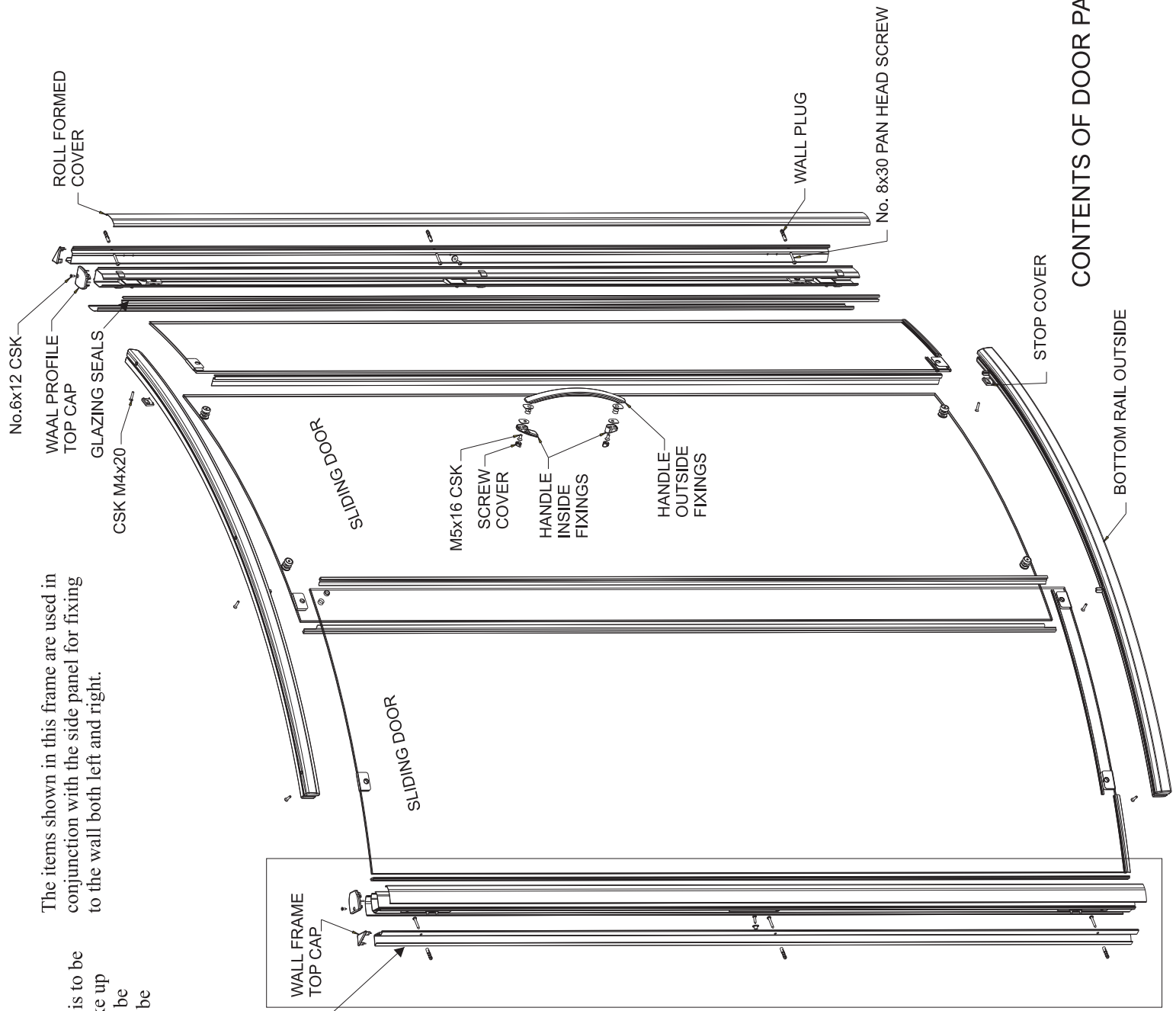
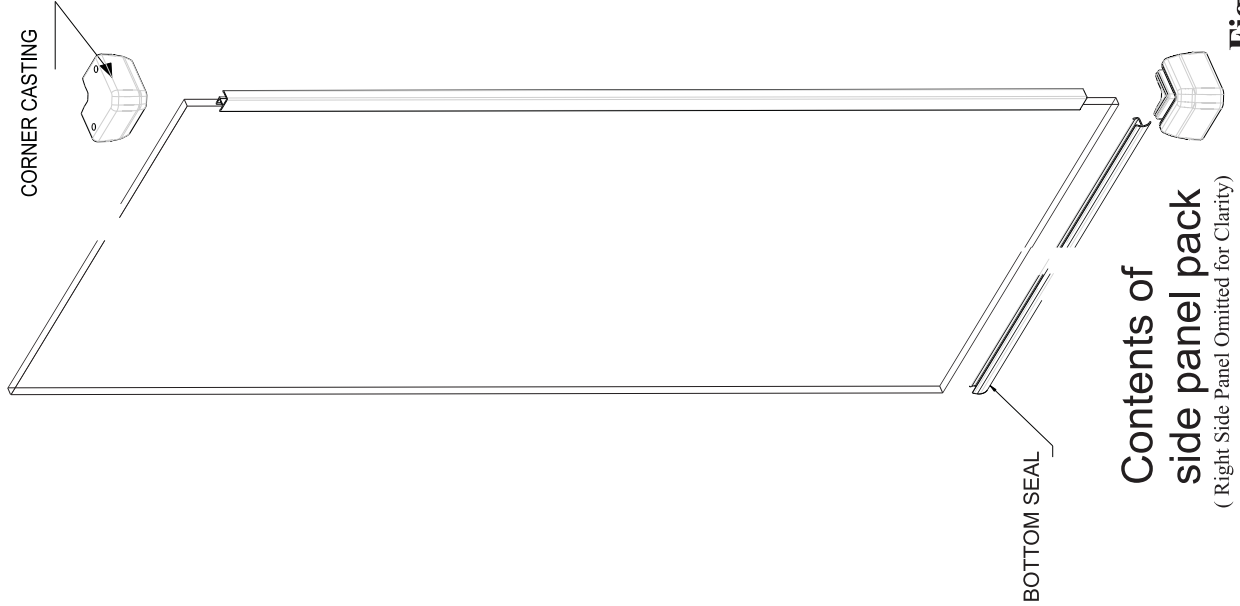
- 18 FIT THE TWO TOP CAPS** to the wall profiles using the No.6 x 12 screws supplied. FINALLY SEAL THE ENCLOSURE, Using a clear silicone sealant apply a thin bead to all the edges as shown. To achieve a neat finish it is recommended that each joint to be sealed is masked either side with masking tape so that only a maximum of 3mm either side of the joint is exposed. The masking tape should then be removed immediately after sealing (DO NOT allow silicone to dry over masking tape).

**DO NOT USE OR DISTURB THE ENCLOSURE FOR 24 HOURS AFTER SEALING TO ALLOW THE SILICONE TO DRY.**



NOTE: If a panel is to be installed, this make up extrusion will not be required and may be discarded.

The items shown in this frame are used in conjunction with the side panel for fixing to the wall both left and right.



**Contents of side panel pack**  
(Right Side Panel Omitted for Clarity)

**CONTENTS OF DOOR PACK**

**Fig 29**