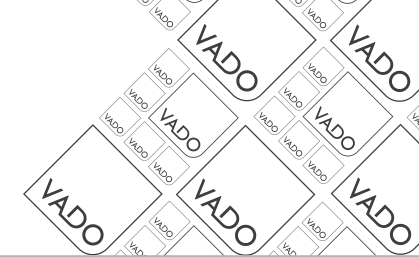




it's a personal experience

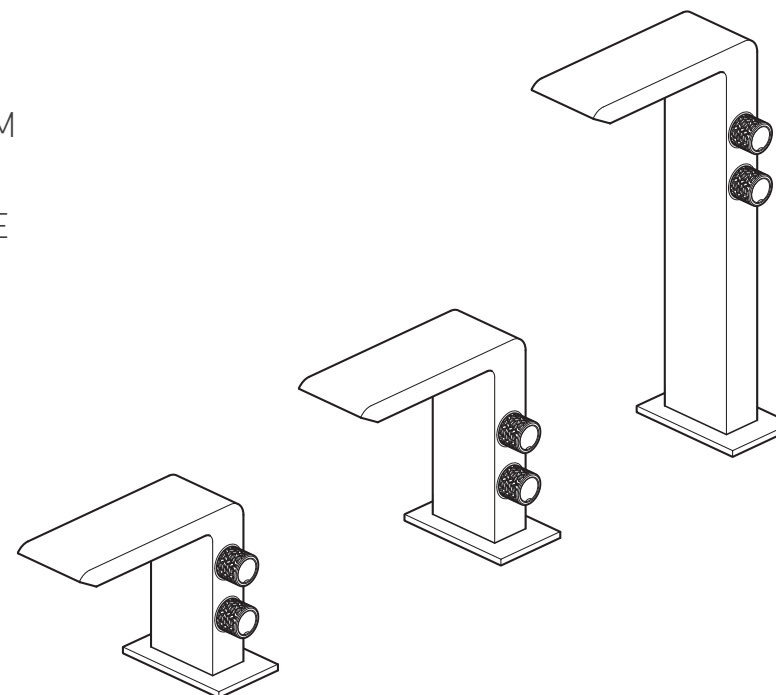
OMIKA

Installation Guide
Mono Basin Mixers



This instruction booklet covers these models:
OMI-100M, OMI-100, OMI-100E.

100M
100
100E



Vado
Wedmore Road, Cheddar, Somerset, England BS27 3EB
tel 01934 744466. fax 01934 744345
aftersales@vado.com
www.vado.com



Important - please read

Please read these instructions carefully before starting installation and keep for future reference.

Remove all packaging and check the product for missing parts or damage before starting installation.

Any alterations made to this product and fittings may infringe water regulations and will invalidate the guarantee.

The installation must comply with all Local/National Water Supply Authority Regulations/Byelaws and Building and Plumbing Regulations.
To be installed in accordance with BS EN806.

We strongly recommend that you use a qualified and registered plumber.

General installation

This fitting is a mixing device and therefore water supplies should be reasonably balanced.

When installed, the fitting must comply with the requirements of the Water Supply (Water Fittings) Regulations 1999 and Scottish Byelaws 2004. Please check with your local water undertaker if there is any uncertainty.

Before making any inlet pipe connections, all supply pipes MUST be thoroughly flushed to remove debris. Failure to do so could result in damage or low flow from the mixer unit. Water Supply (Water Fittings) Regulations 1999 Schedule 2 Section 13.

The fitting of isolating valves to the inlet feeds is advised for ease of maintenance.

Please take great care when installing this mixer not to damage its surface.

Please note if installing in an enclosed environment, access should be left for servicing and maintenance. No costs relating to inadequate access can be accepted.

Operating Specifications

Operating Pressure

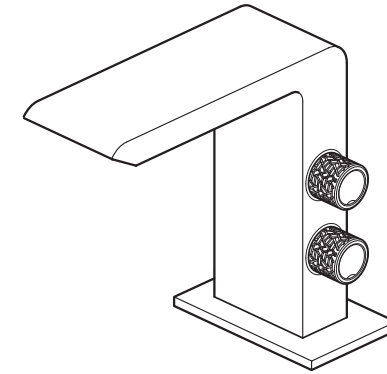
Minimum operating pressure - 1 bar

Maximum operating pressure 5 bar

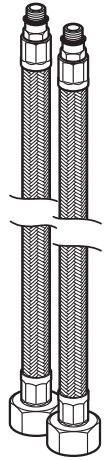
Contents of Packaging



**Installation guide &
User manual**



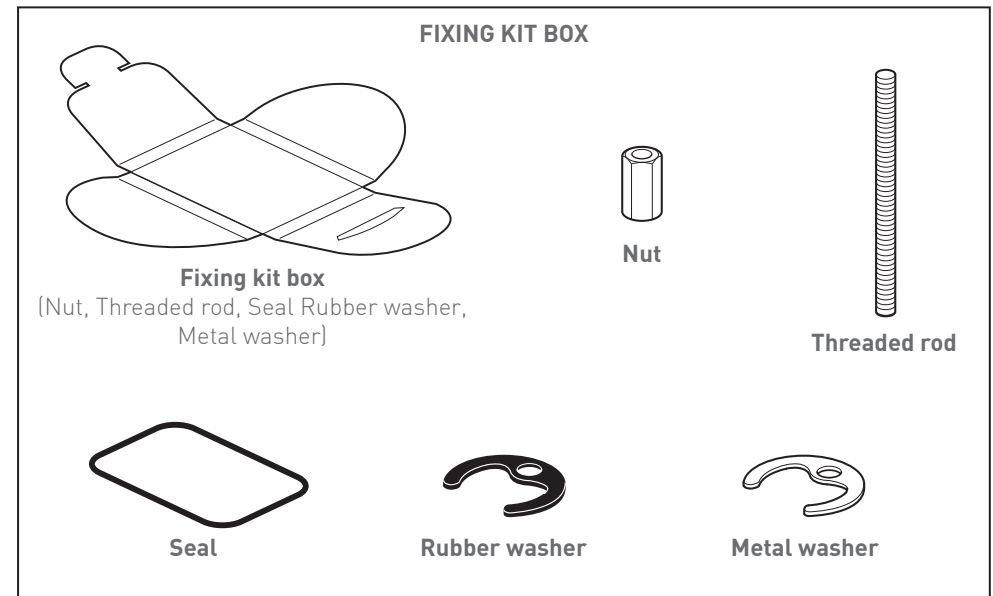
Valve body



Flexible hoses
(Red for hot,
Blue for cold)



Spacer
(For use with thin work tops up to 7mm)



Fixing kit box
(Nut, Threaded rod, Seal Rubber washer,
Metal washer)

Nut

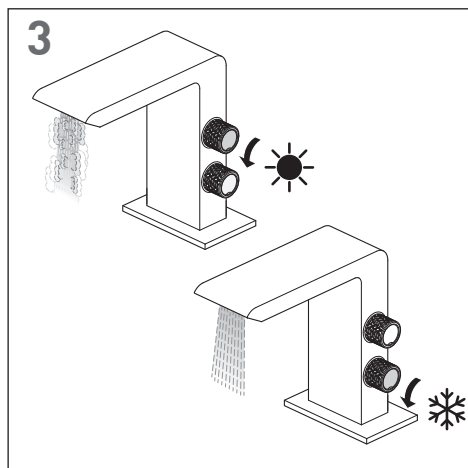
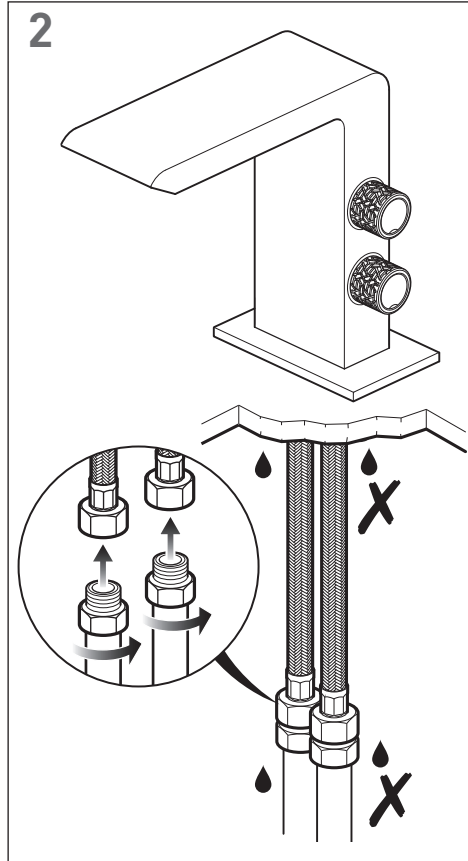
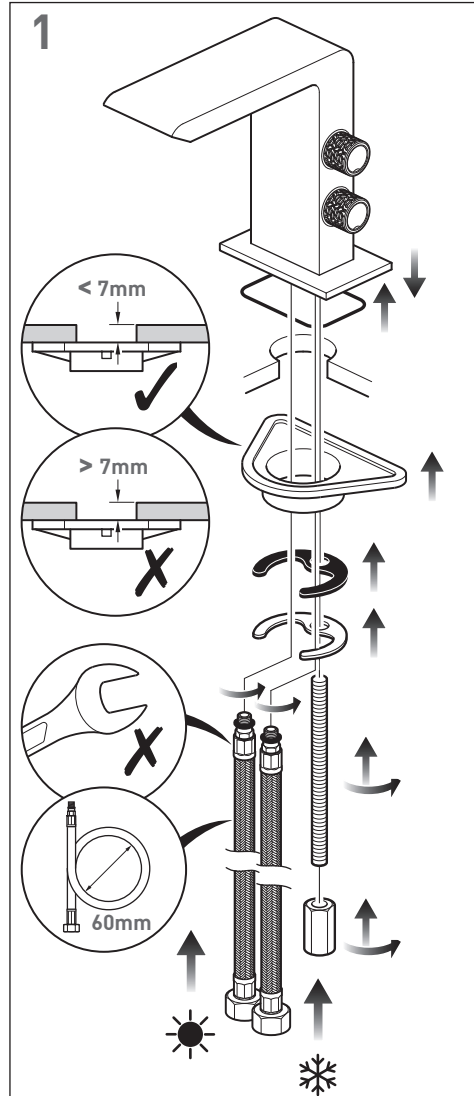
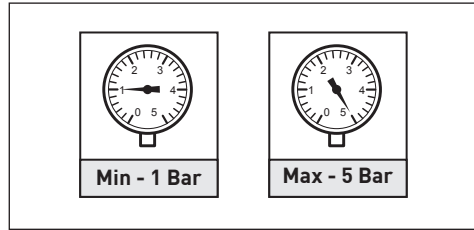
Threaded rod

Seal

Rubber washer

Metal washer

Installation - Quick guide



Installation

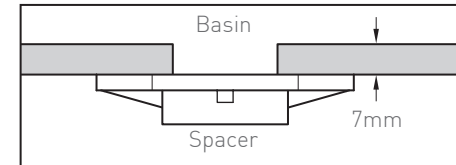
Before installing your new mixer, flush through the pipe work to ensure removal of debris, turn off the water supply.

Make sure that the seal is in position in the base of the mixer body.

Screw the threaded rod into the back hole in the base of the mixer body.

Position the mixer on the basin.

Note: If you have thin basins of 7mm or less use the spacer provided.



If you are using the spacer push the hoses up through the basin hole. Screw the two flexible hoses into the hot and cold connections on the mixer body and **hand tighten only**, do not over tighten. The red hose (hot) should be connected to the left hole and the blue hose (cold) to the right.

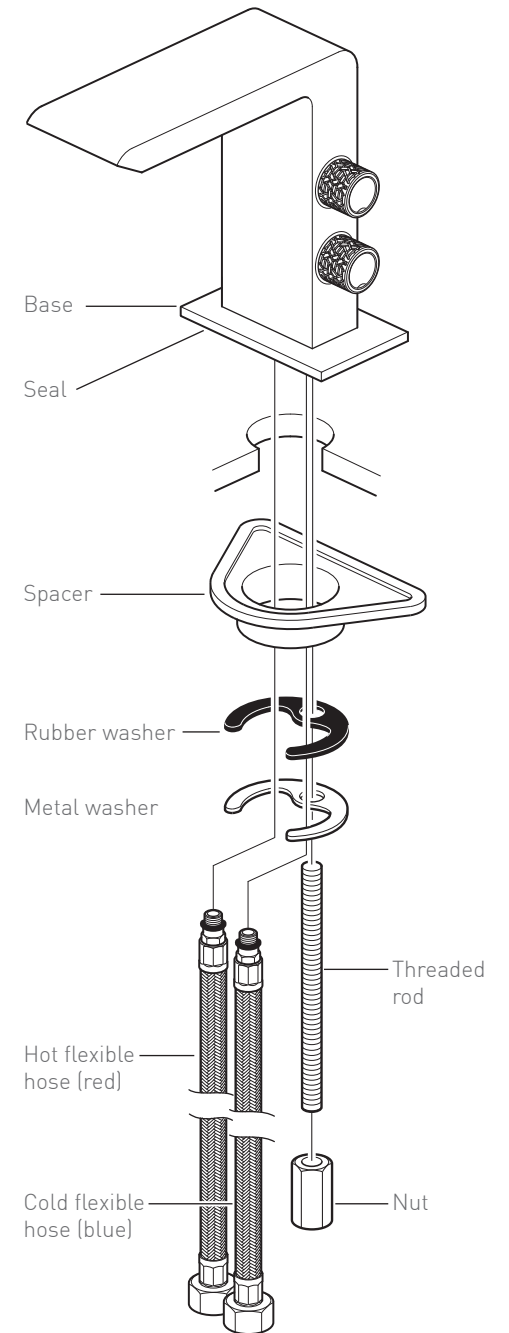
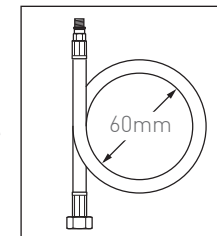
Fit the rubber washer onto the threaded rod followed by the metal washer and then the lock nut. Tighten the lock nut to clamp the mixer to the basin.

CAUTION: Do not over tighten the nut as this may damage the basin.

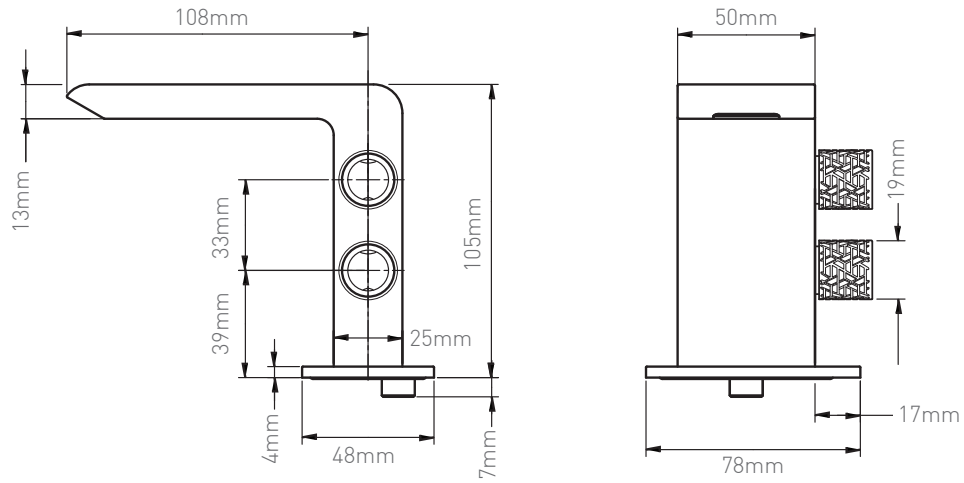
Connect the water supply to the hoses. The hot water should be connected to the left hose and cold to the right.

Check for leaks.

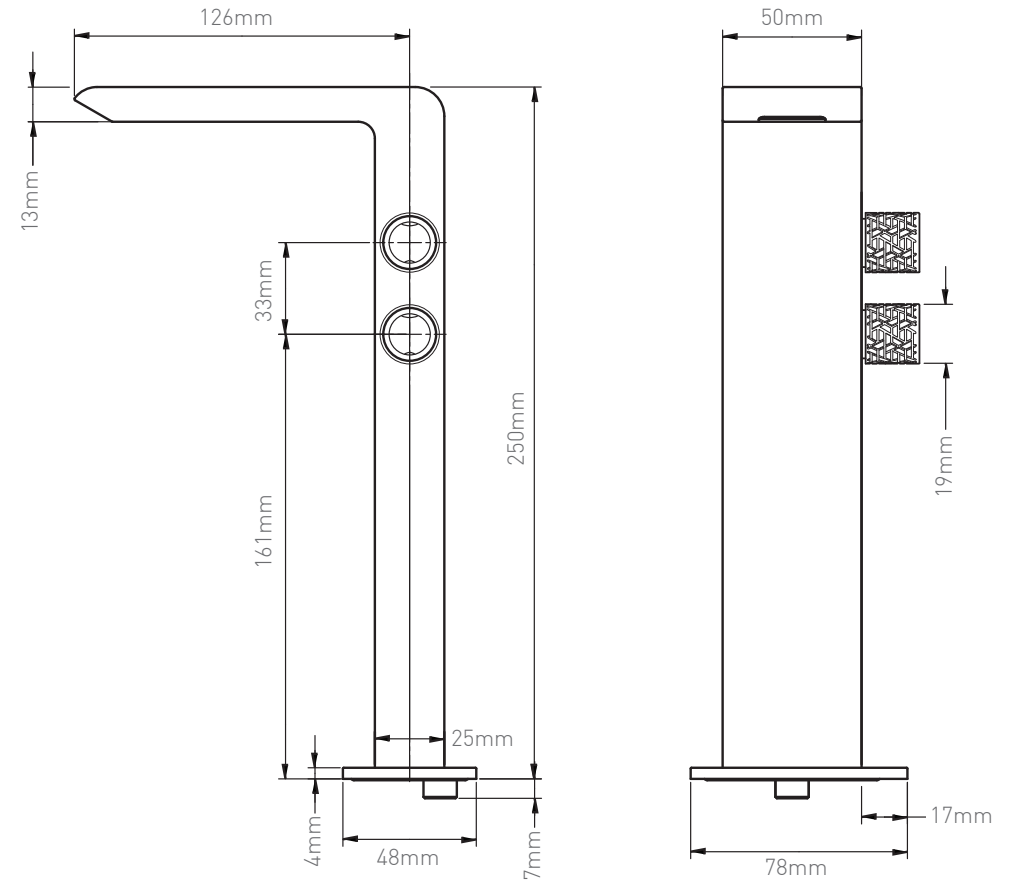
CAUTION: When installing the flexible hoses **do not** kink, or bend them more than the 60mm diameter as shown right.



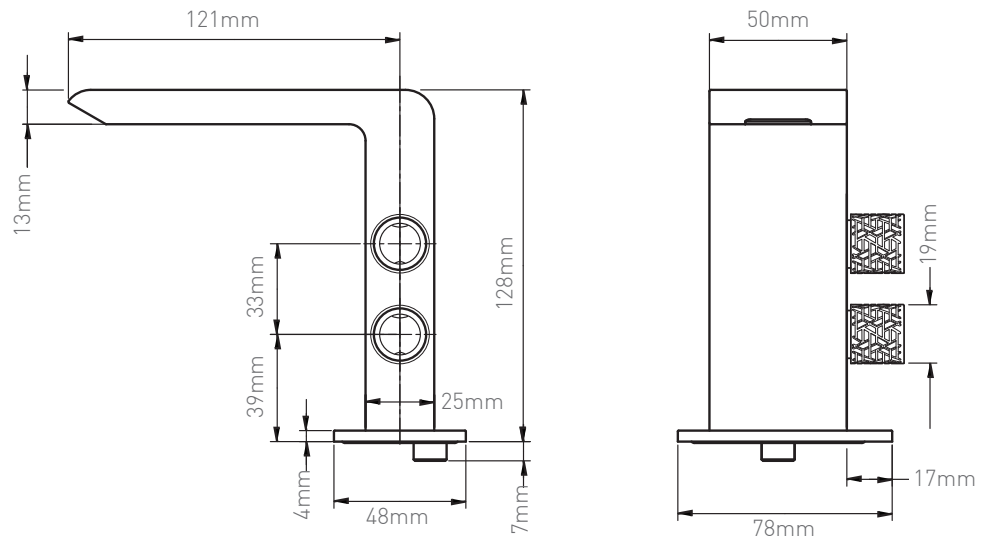
Valve dimensions - 100m



Valve dimensions - 100e



Valve dimensions - 100



Guarantee

All VADO products come with a 2 year guarantee as standard. Within this guarantee period VADO will provide replacement parts and any labour **[SEE NOTE 1]** needed to complete the product repair.

This standard guarantee may be extended by registering your product to give up to a 12 year guarantee period. Once registered:

VADO chromed brassware and stainless steel products have a 12 year guarantee (2 years parts and labour plus 10 years parts only).

VADO digital and i-tech products have a 6 year guarantee (2 year parts and labour plus 4 years parts only).

All other VADO products have a 3 year guarantee (2 years parts and labour plus 1 year parts only) [SEE NOTE 2].

VADO electric showers have a 2 years parts and labour guarantee.

Guarantee conditions

Our products are guaranteed against manufacturing defects from the date of purchase until the expiry of the relevant guarantee period shown above.

The guarantee is only valid if:

- The product has been installed, used and maintained in accordance with VADO's instructions and subjected to normal use only.
- The defect is not due to use of an unsuitable or inadequate water or power supply.
- The defect is not due to accident, misuse, neglect or incorrect/inappropriate repair (other than by VADO or VADO authorised agents) or damage caused by foreign objects or substances.
- The extended guarantee is only available if you have completed the Guarantee Registration Process. This can be done via the VADO website or via phone to our aftersales team. Registration must be completed within 6 months from date of purchase.

Under the extended guarantee period VADO will, at its option, offer to supply any replacement product (or component part) assessed to be defective **[SEE NOTE 3]**.

The guarantee (whether standard or extended) is non-transferable to any subsequent owner. All claims under the guarantee should be notified in the first instance to our Aftersales department, contact details below, this must be done no later than the last day of the relevant guarantee period. All claims must be accompanied by proof of purchase (sales receipt or delivery note) from an official VADO dealer.

The guarantee does not extend to any consequential loss or damage.

After repair or replacement, the relevant guarantee period will be calculated from the original date of purchase.

VADO operates a policy of continuous product development and therefore reserves the right to change the product, packaging and documentation specifications without notice.

NOTES:

[1] Labour via our engineer network is only available in the UK. Attendance by a VADO engineer or sub-contract engineer will be under our standard terms and conditions.

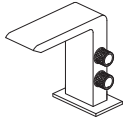
[2] VADO spare parts and shower hoses are under a parts only guarantee.

[3] VADO reserves the right to charge in advance for a product (or replacement part) pending collection and investigation (at VADO expense) to confirm a defect is due to a manufacturing issue. If a defect is found the charge will be refunded or cancelled.

This guarantee is in addition to and does not affect your statutory rights as a consumer.

Tel: 01934 745163

Email: aftersalescare@vado.com



OMIKA

Mono Basin Mixer

User Guide

Keep for future reference



WHERE
INSPIRATION
FLOWS

VADO

Welcome

Thank you for choosing VADO

Our products can be found in some of the most prestigious hotel, commercial and residential developments across the world, therefore you can expect exceptional product quality and outstanding customer service.

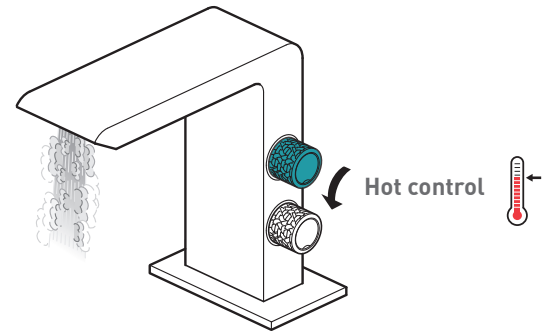
This product has passed through stringent quality assurance processes coupled with demanding lifecycle mechanical testing to ensure it reaches the exacting standards that allow us to offer our premium 12 year guarantee.

We work to ensure our product designs are harmonious with all sanitaryware, so when you choose VADO, your choice of coordinating items is unlimited.

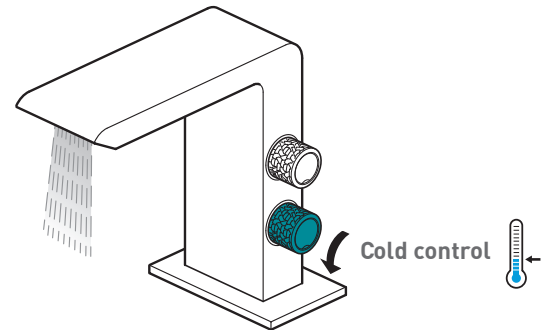
With VADO, you can really let your inspiration flow.

For any technical or operational queries please contact our experienced aftersales team on 01934 745163.

Operation



Turn the control forward to increase the flow of hot water



Turn the control forward to increase the flow of cold water

VADO, Wedmore Road, Cheddar, Somerset, England BS27 3EB
tel 01934 744466. fax 01934 744345
aftersales@vado.com
www.vado.com

Cleaning instructions:

The electroplating on this product is finished to the highest standard. Due care needs to be taken to ensure the appearance is retained.

We recommend cleaning all products with a soft damp cloth ONLY and advise strongly against the use of all aggressive/corrosive cleaning products i.e. powders and liquids. If these instructions are not followed, this may invalidate your guarantee in the event of a problem occurring.

Notes

Parts list:

Item	Description	Part Code	Quantity
1	Body	Uncoded	N/A
2	Headwork	FL-401-RTC	1
3	Handle assembly	OMI-1-C/P	1 pair
4	Aerator/housing	OMI-AERATOR-C/P	1
5	Fixing kit	OMI-FIXING KIT	1
6	Flexible hose	T-1/2 x M10-400mm-FLX	1pair
7	Flow regulation	Uncoded	N/A
8	Installation guide & User manual		1

Parts:

