

EB501

CAMDEN

1700 x 700 x 400



features/benefits | >

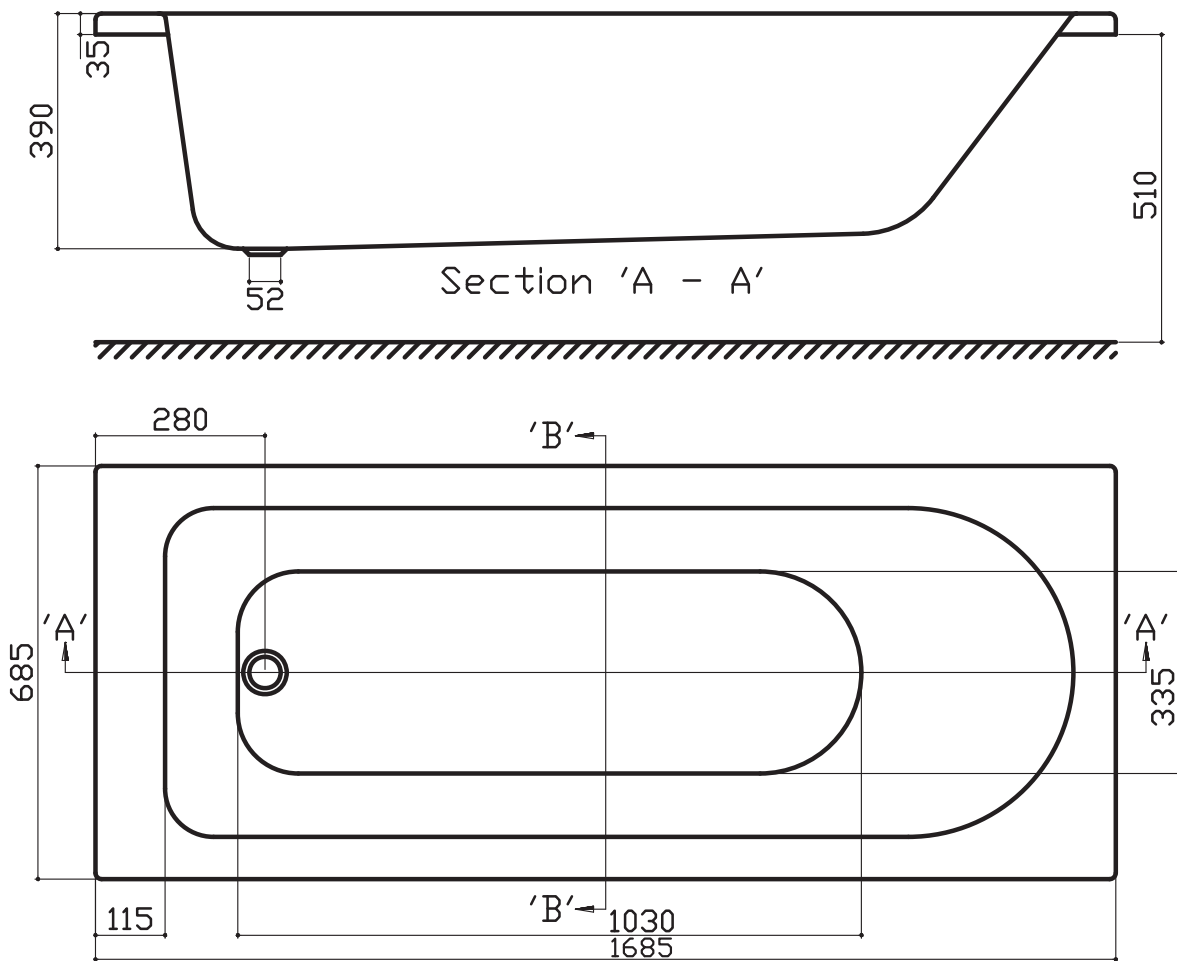
- > No tap holes
- > Encapsulated baseboard
- > Timber Rim Reinforcement
- > Front Panel: EP601
- > End Panel: EP602
- > Tubular leg set

technical specification | >

- > Length: 1685mm
- > Width: 685mm
- > Depth: 390mm
- > Capacity: 175L
- > Panel Height: 510mm
- > Overall Height: 545mm
- > Material: Acrylic 3.2mm

EB501

CAMDEN 1700 x 700 x 400



We reserve the right to change product specifications and measurements without prior notice.



MADE IN THE UK

Call us on 0800 634 2600
or contact your ASM for more details
Visit www.essentialfromideal.com

essential
BATHROOMS