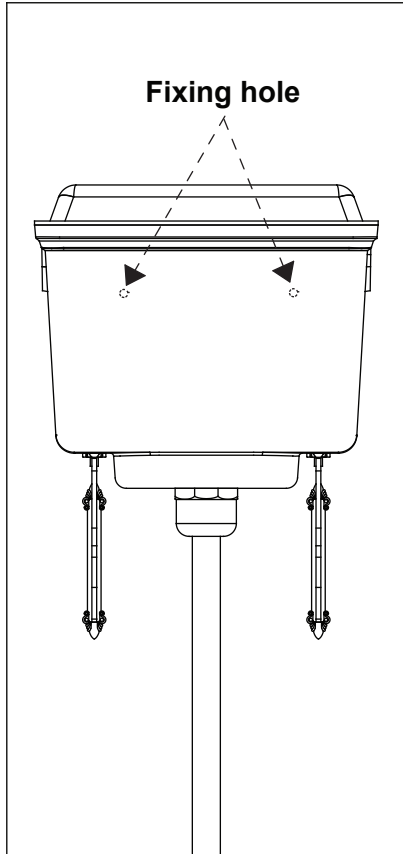


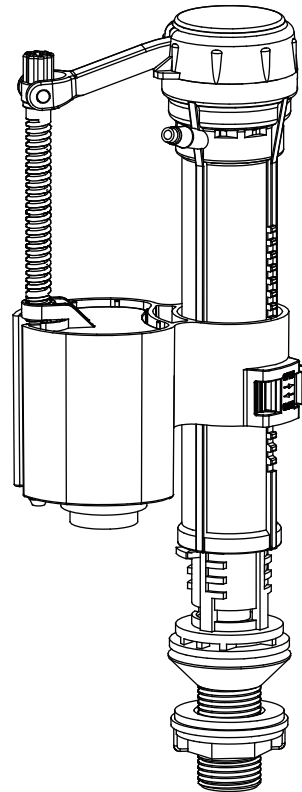
1: Fixing cistern on to wall



Note:

Fixing screws and brackets are not included.
Please use appropriate screws depending on the wall type to fix the cistern on to the wall.

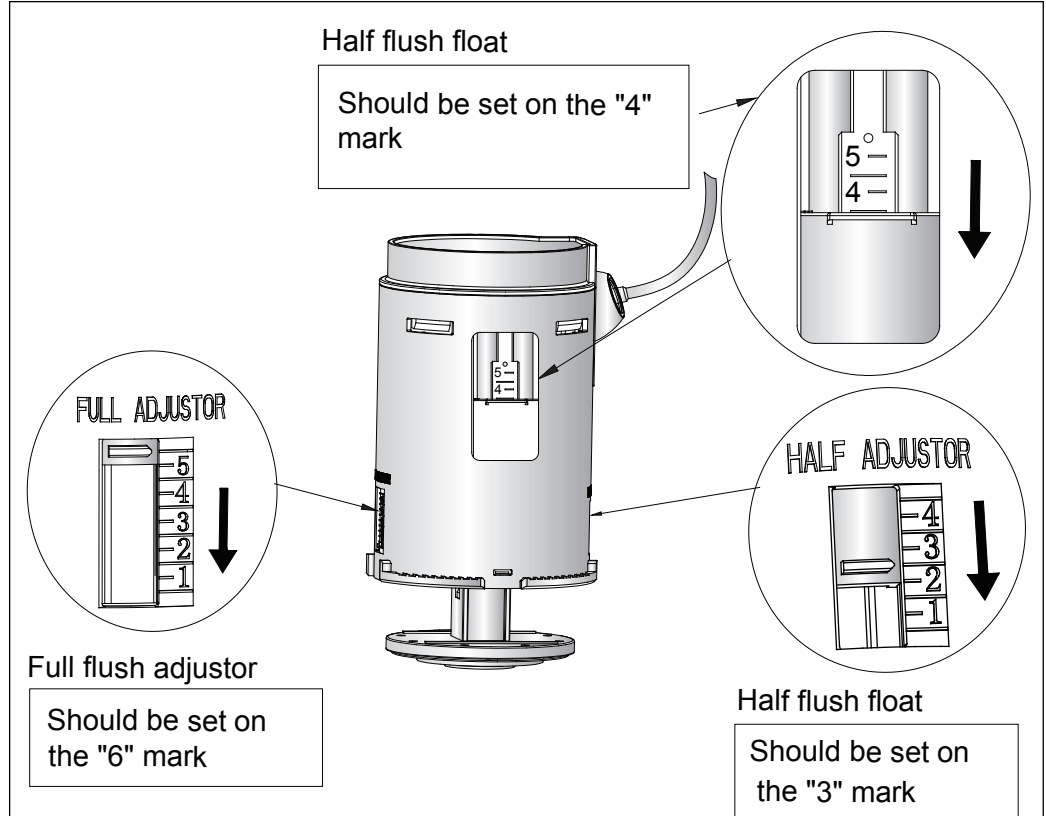
2: Inlet Valve



Note:

The Inlet Valve should be adjusted to suit the **Aluminium Low Level & Medium Level Cistern - T71**.
The valve is preset for 6L full flush and 3L half flush.
The above diagram indicates the correct setting for 4.5L full flush and 2.6L half flush.
For adjustment method, please refer to the installation instruction supplied with the cistern fittings.

3: Flush Valve



Note:

The Flush Valve should be adjusted to suit the **Aluminium Low Level & Medium Level Cistern - T71**.
The valve is preset for 6L full flush and 3L half flush.
The above diagram indicates the correct setting for 4.5L full flush and 2.6L half flush.
For adjustment method, please refer to the installation instruction supplied with the cistern fittings.