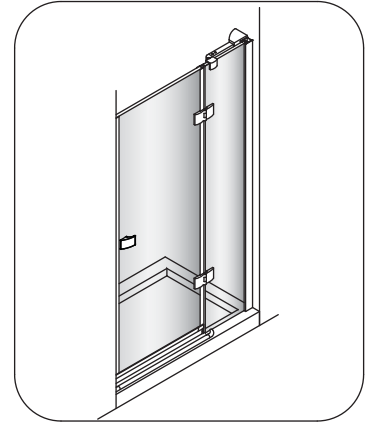
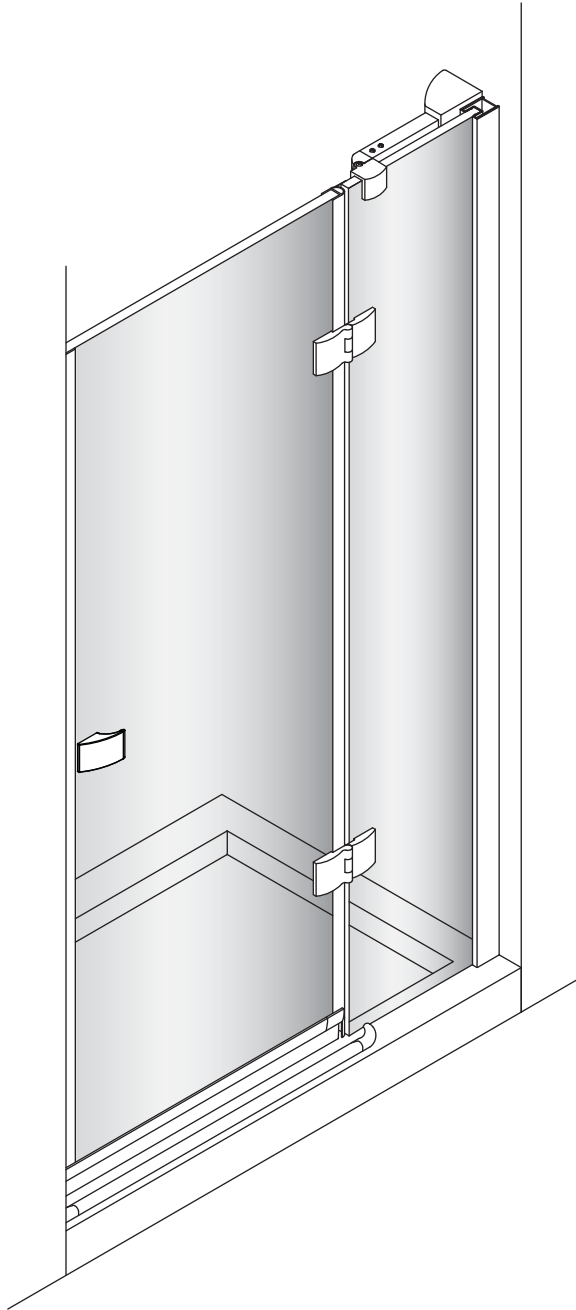
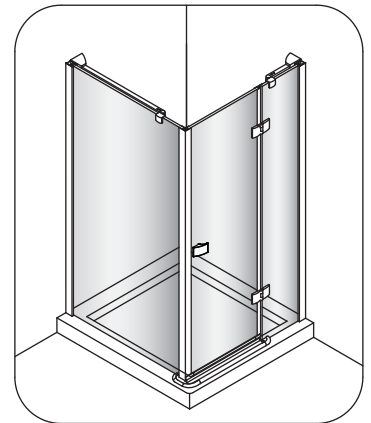


# DESIGN HINGED DOOR

DHDSC0700 DSPSC0700  
DHDSC0760 DSPSC0760  
DHDSC0800 DSPSC0800  
DHDSC0900 DSPSC0900  
DHDSC1000 DSPSC1000  
DHDSC1100  
DHDSC1200



HINGED DOOR



SIDE PANEL & HINGED DOOR

## INSTALLATION INSTRUCTIONS

**simpsons** 

## IMPORTANT - Please read before installation

**Please read these instructions carefully before starting installation and keep in a safe place for future reference.**

Check the contents of the pack carefully before installation. Simpsons will not be held responsible for any de-fit / re-fit costs where faulty product has been fitted.

If any fault is found with materials or workmanship, it must be reported immediately to the manufacturer. Remedial action will be taken, based on information received, on condition that:

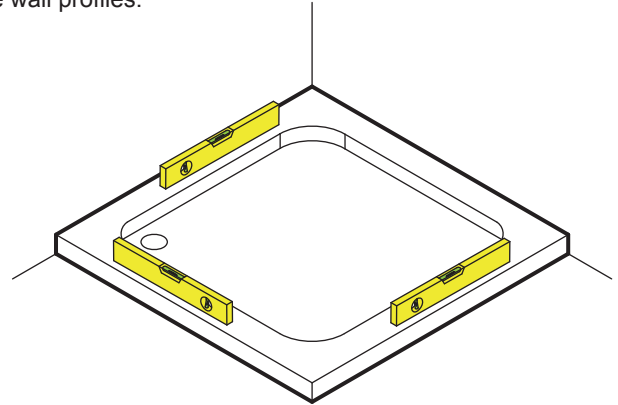
1. Full details are supplied to the manufacturer;
2. The enclosure has not been modified or tampered with;
3. The manufacturer is informed of any damage/shortages prior to installation.

We do not accept responsibility for any problems that may occur through incorrect installation.

The success of the installation and operation of any shower enclosure is, of course, dependant on the squareness, alignment and construction of the walls to which fixing is to be carried out.

### VERY IMPORTANT

You must complete all tiling and grouting, and the shower tray **MUST** be level and fully sealed to the tiles before installation. If you do not fit the enclosure onto a tiled surface, or seal the tiles to the tray before installation, water may soak into the wall behind the wall profiles.



## INSTALLATION - Advice and safety

The installation instructions are based on typical use and conditions.

All doors are designed to open outwards only.

These hints have been prepared for your guidance, you must exercise due care at all times.

For Health and Safety 2 people must carry out the installation of this enclosure.

Handle glass with care. Although the glass supplied is toughened safety glass (EN12150), impacts can damage both the glass and the frame.

### Warning!

Please check for any hidden pipes or cables before drilling holes in the wall.

When using power tools always follow the manufacturers user instructions.

If the Framework is sealed to the tray on the inside, any water that may get into the framework will not be able to drain back into the tray, this may cause the enclosure to leak.

Leave the silicone sealant to dry for 24 hours before using the enclosure.

## CARE AND CLEANING

Do not use solvents or abrasive material or chemicals to clean the enclosure.

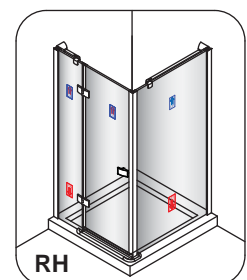
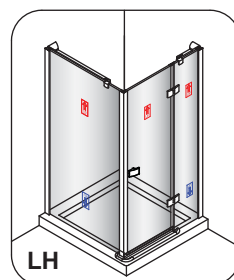
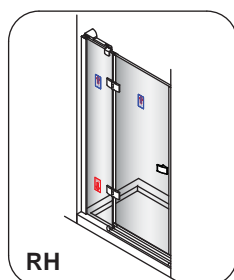
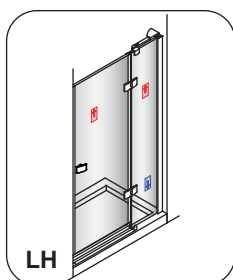
Only clean using soapy water and a soft cloth, rinse thoroughly afterwards.

## INSTALLATION - Left and Right hand

**This product is reversible for left or right hand opening.**

**Please follow the diagram, and detailed below for your choice of installation.**

- Left entry, The "up" arrow on the glass should be in red, and be on the outside of the enclosure.
- Right entry, The "up" arrow on the glass should be in blue, and be on the outside of the enclosure.



# CONTENTS

## DOOR IN ALCOVE

See pages 3 - 8

'a' goes with the fixed hinge panel.  
 'b' goes with the closing frame

## SIDE PANEL

See pages 9 - 13

A		M4 *50mm Screw x 8	L		Cover x 2	W		Bottom Waterproof Strip x 1
B		Wall Plug x 8	M		Mat x 1	X		Plastic Seal Strip x 1
C		M4 *12mm Screw x 6	N		Glass Clamp x 1	Y		Water Channel Middle x 1
D		Washer x 6	O		Hinge x 2	Z		End Part (LH) x 1
E		Cover x 6	P		Handle x 1	AA		End Part (RH) x 1
F		M6 *10mm Screw x 2	Q		Breakwater Bar x 1	AB		End Part (LH) x 1
G		M5 *14mm Screw x 1	R		Waterproof Strip x 1	AC		End Part (RH) x 1
H		Wall Bracket x 1	S		Magnetic Strip x 1	AD		Water Channel End (LH) x 1
I		Wall Bracket Cover x 1	T		Allen Key 3mm x 1	AE		Water Channel End (RH) x 1
J		Support Bar x 1	U		Allen Key 4mm x 1	AF		Water Channel End (LH) x 1
K		Fixed Part x 1	V		Drill Jig x 1	AG		Water Channel End (RH) x 1

A		M4 *50mm Screw x 2
B		Wall Plug x 2
F		M6 *10mm Screw x 2
G		M5 *14mm Screw x 1
H		Wall Bracket x 1
I		Wall Bracket Cover x 1
AH		Support Bar x 1
K		Fixed Part x 1
L		Cover x 2
M		Mat x 1
N		Glass Clamp x 1
AI		Magnetic Strip x 1
AJ		Magnetic Strip x 1
AK		End Part (LH) x 1
AL		End Part (RH) x 1

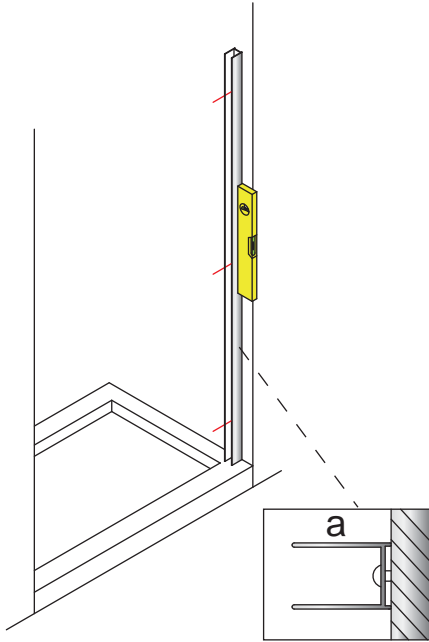
## Tools and equipment needed

Drill, 6mm Masonry drill bit, 3.2mm General drill bit, Philips screwdriver, Spirit level, Pencil, Scissors, Silicone sealant.

## HINGED DOOR IN ALCOVE

### Step 1 - FITTING AND POSITIONING WALL CHANNEL

**⚠ REFER TO PAGE ONE FOR YOUR CHOICE OF INSTALLATION - LEFT OR RIGHT!**



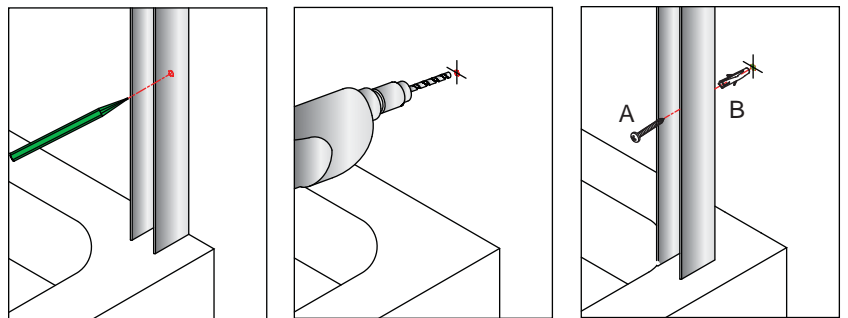
**Wall channel 'a' must be fixed to wall first.**

Remove wall channel (a) from the fixed hinge panel. Place wall channel in position on the tray (20–22mm in from the edge of the tray), use a spirit level to ensure that it is vertical and mark all 3 fixing holes onto the wall.

Drill holes in the positions marked using a 6mm masonry drill bit. Insert wall plugs (B) into all of the holes (beyond the thickness of the tile).

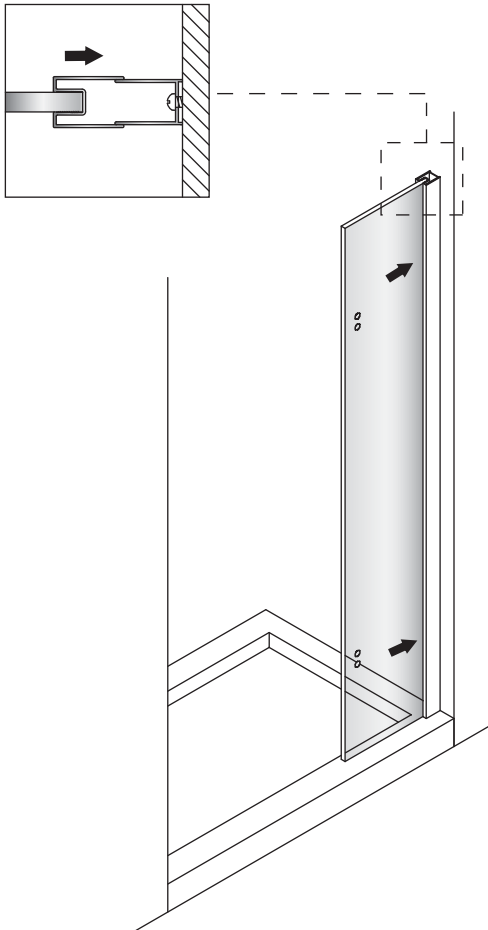
Fix the wall channel to the wall using 3 screws (A).

**Note: Inject silicone sealant into the holes before inserting the screws to seal the holes.**



### Step 2

Push the side panel on to the wall channel.



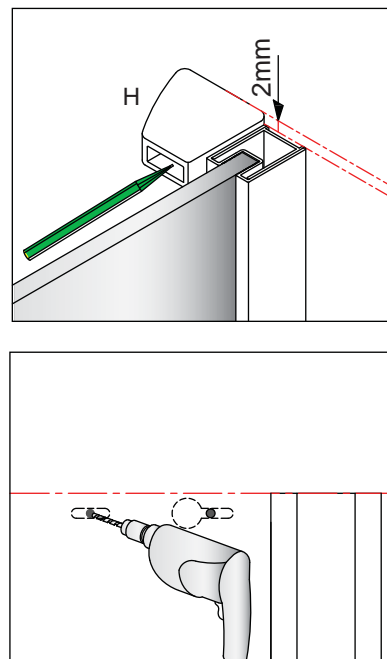
### Step 3

Place part (H) in position (2mm above the side panel in vertical; align against the side panel in horizontal.)

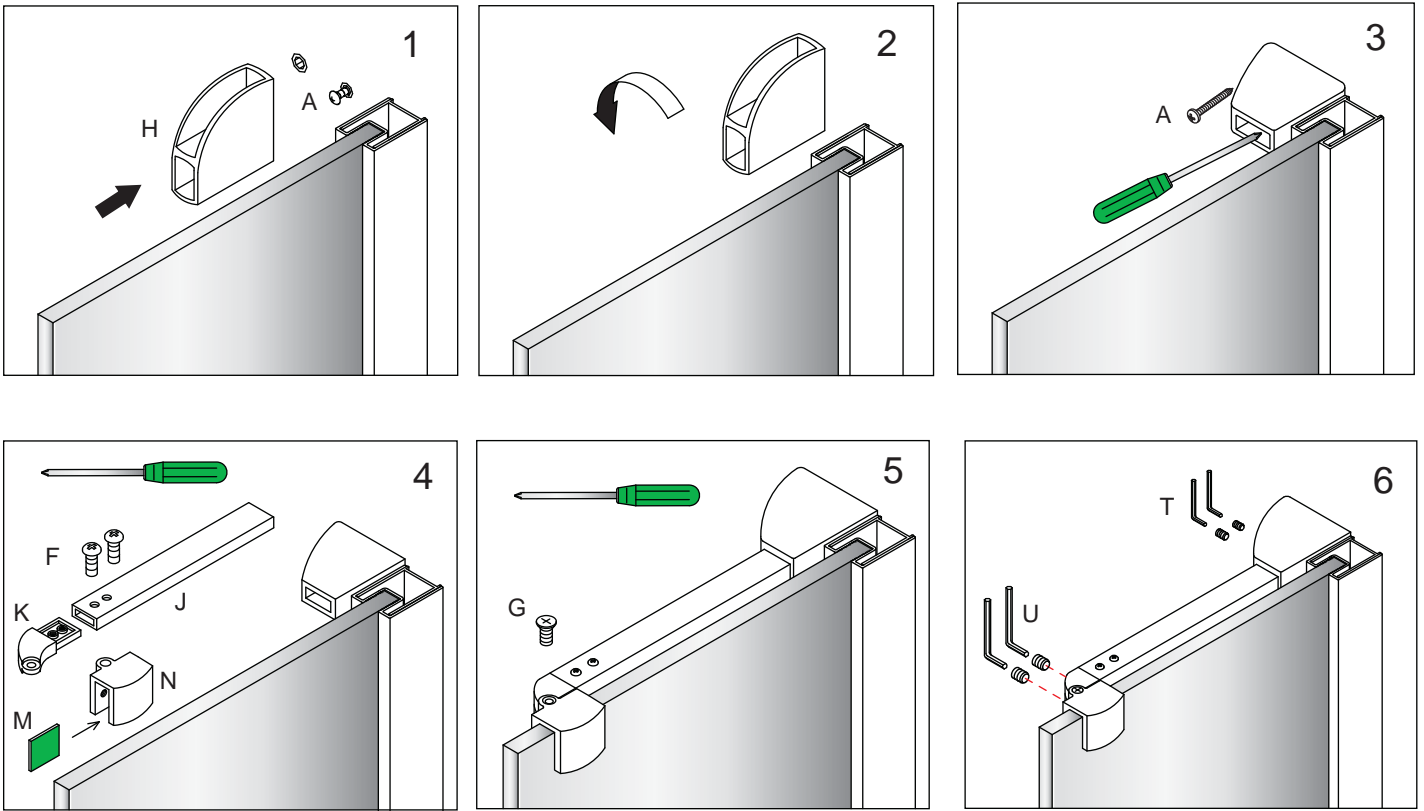
Use a spirit level to check the level.

Mark the hole positions on to the wall.

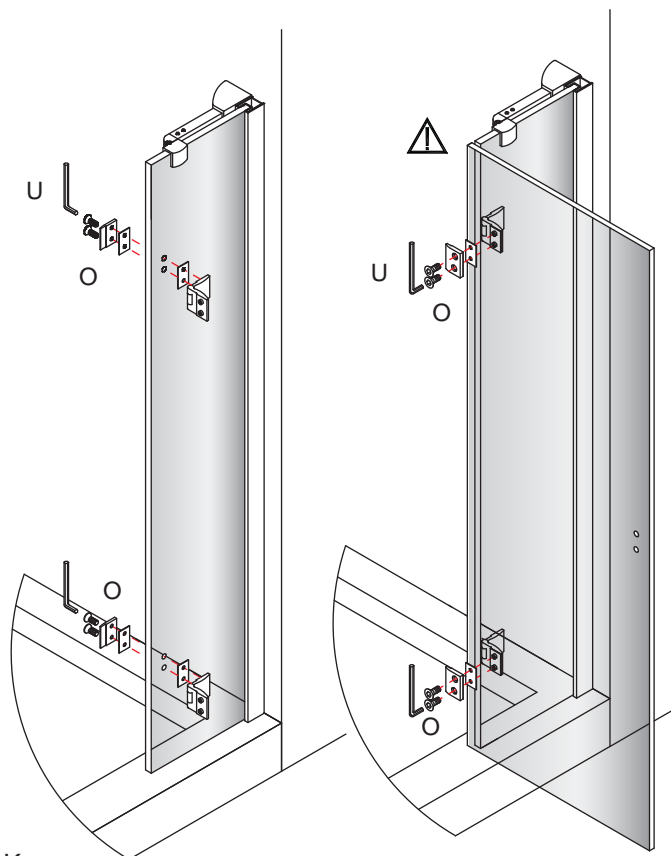
Drill holes in the positions marked using a 6mm masonry drill bit. Insert wall plugs (B) into the two holes. (beyond the thickness of the tile).



## Step 4 - FITTING THE BRACING BAR

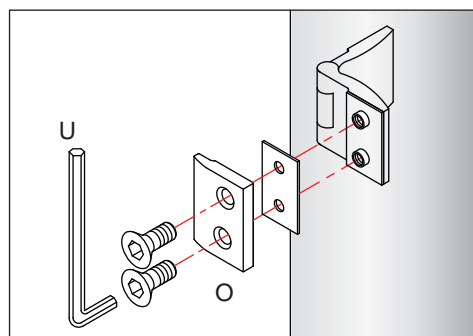
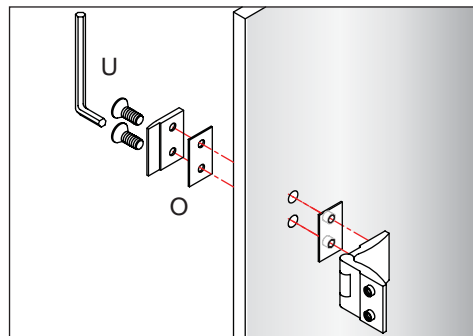


## Step 5 - HINGE ASSEMBLY



Fix Hinges to a glass door.

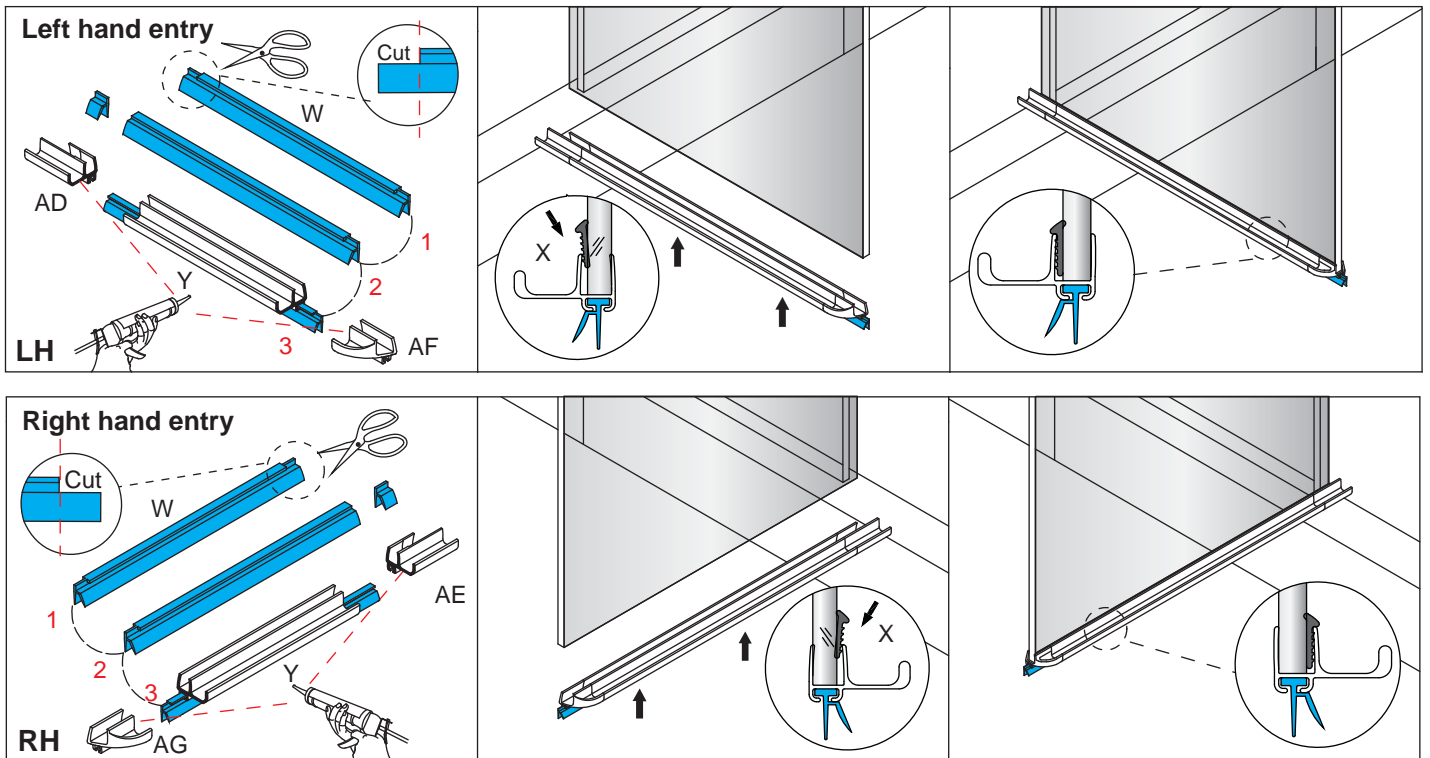
Support door and fix hinges to side panel. Do not fully tighten. Check that the door closes and that the top is aligned with the side panels. Fully tighten screws.



## Step 6

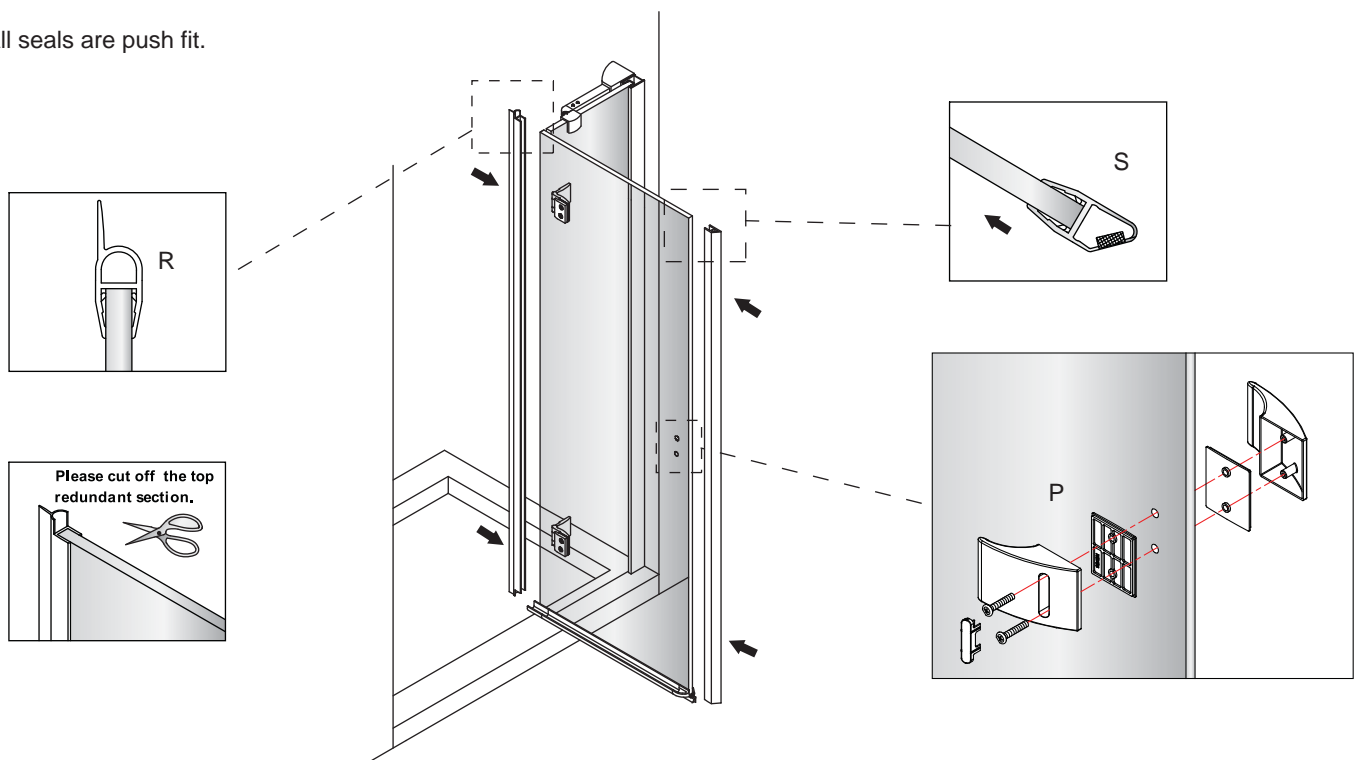
Depending on whether you have a right hand or left hand hinged door please select the correct diagram shown below for the fitting of the Water Channel, Water Channel Ends and Bottom Waterproof Strip.

1. Depending on left or right hand installation cut the redundant end of Bottom Waterproof Strip (W), cut off evenly the stepped section.
2. Insert Bottom Waterproof Strip (W) into Water Channel Middle (Y) with profile end to Non hinged side of door making sure it goes completely home into Water Channel End (AF) or (AG).
3. Slide Water Channel End (AF) or (AG) onto Bottom Waterproof Strip (W) and Water Channel Middle (Y) using silicone sealant on joint faces.
4. Slide Water Channel End (AD) or (AE) onto Bottom Waterproof Strip (W) and Water Channel Middle (Y) using silicone sealant on joint faces.
5. Insert completed assembly onto bottom of door and fit Plastic Seal Strip (X).



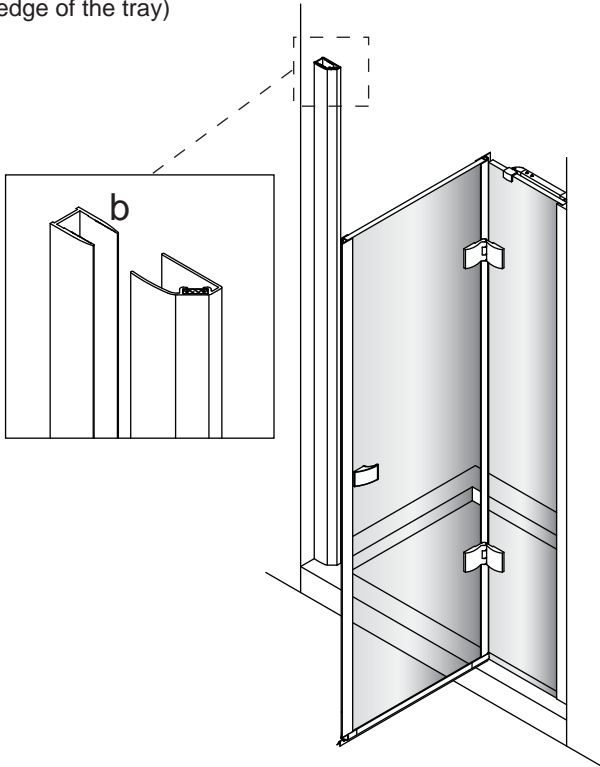
## Step 7 - FITTING SEALS

All seals are push fit.



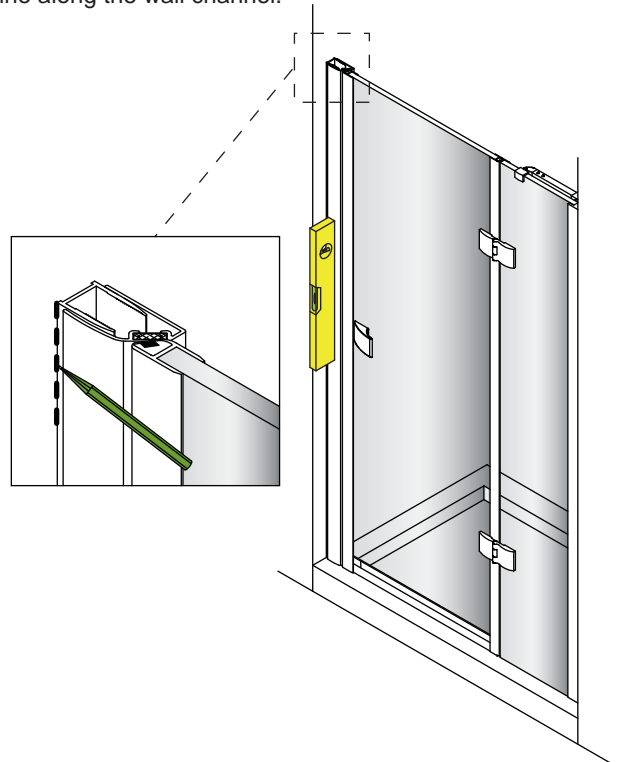
### Step 8

Remove wall channel 'b' from the closing frame.  
Place wall channel in position on the tray (20-22mm in from the edge of the tray)



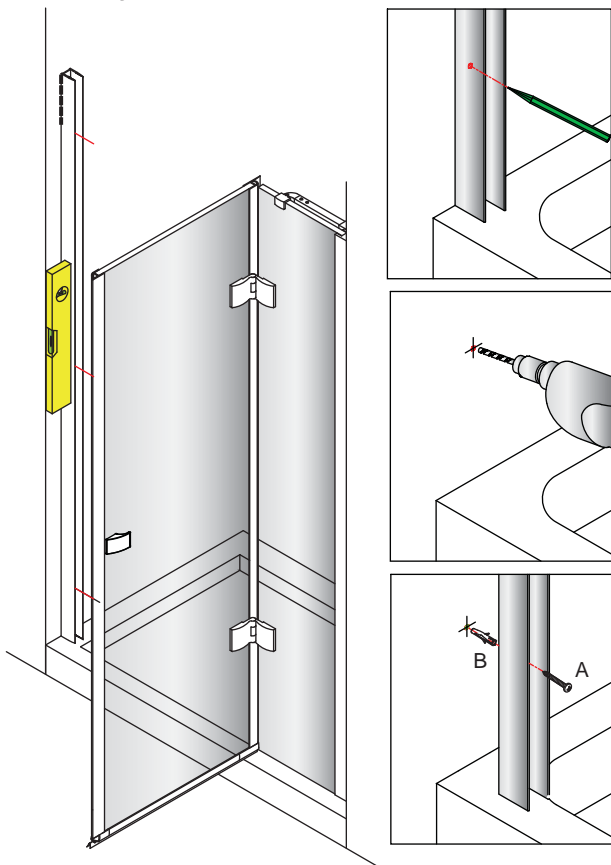
### Step 9

With the door closed use a spirit level and adjust the wall channel to allow best fit for the closing frame, to the moving door. Mark a line along the wall channel.



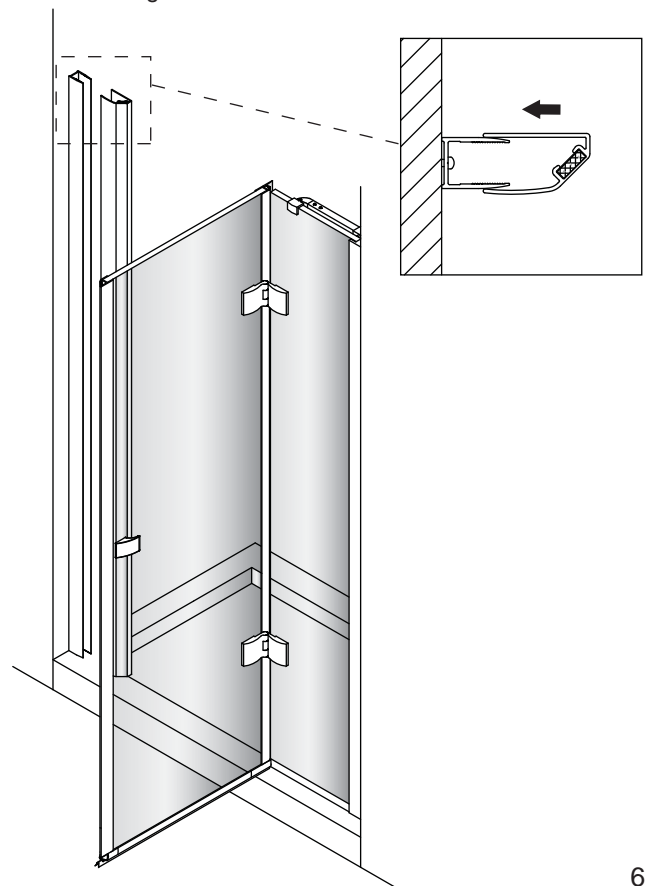
### Step 10

Use a spirit level to ensure that wall channel is vertical and mark all 3 fixing holes onto the wall.



### Step 11

Push the closing frame onto the wall channel.

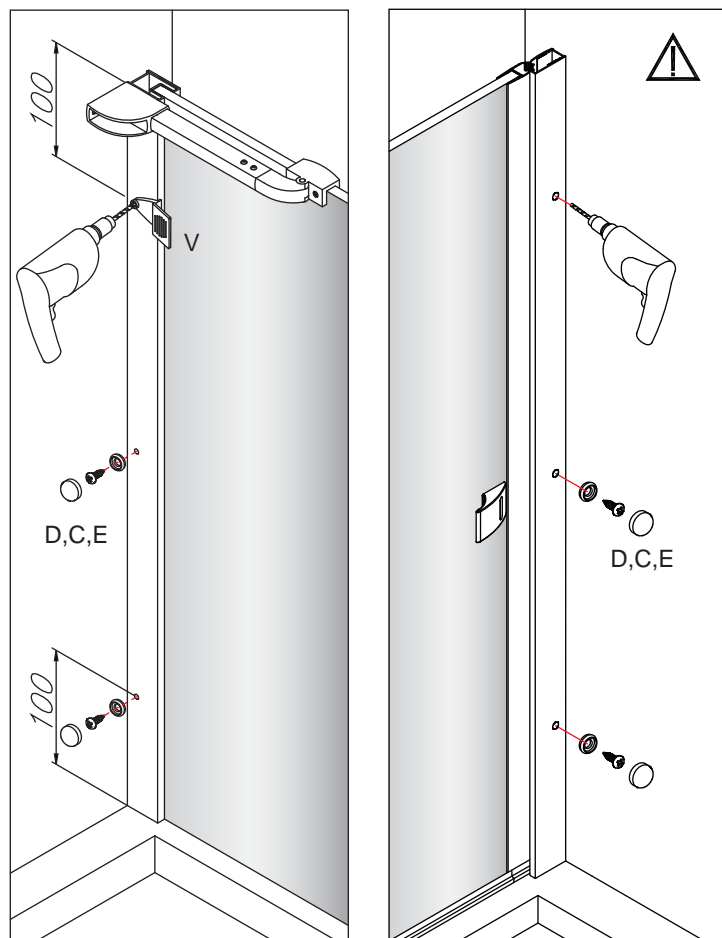
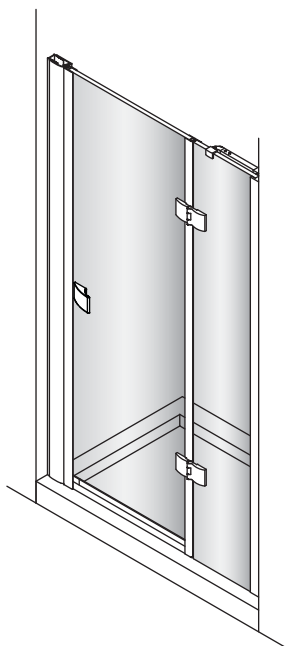


## Step 12

Once you have checked that the door opens and closes correctly fix the side panel to the wall channels.

**⚠ For installation please close the door when drilling to ensure best location. Closing frame has predrilled holes, and does not require the use of the Drill Jig.**

From inside, drill 3 holes through each wall channel/side frame using a 3.2mm drill bit and Drill Jig (V). Fix using washers (D), screws (C) and push on the screw covers (E).

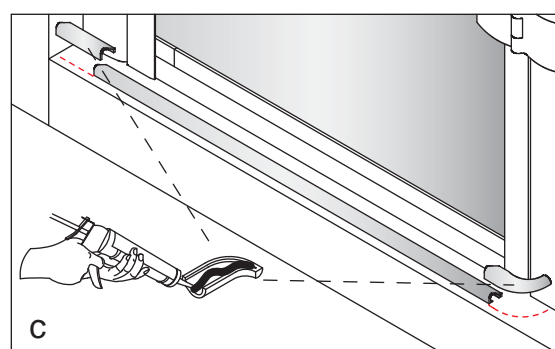
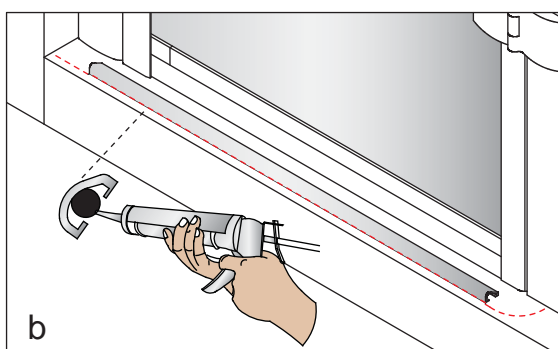
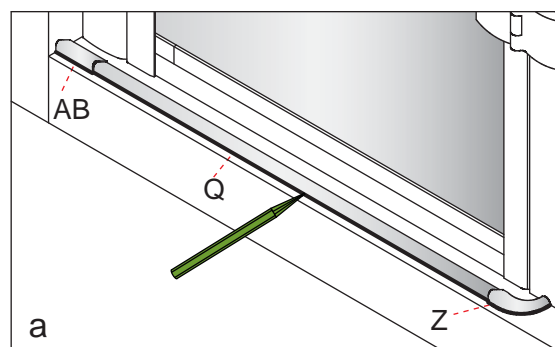


## Step 13

Place the breakwater bar (Q) and the two end parts - LH (Z, AB) or two end parts - RH (AA, AC) on the shower tray.

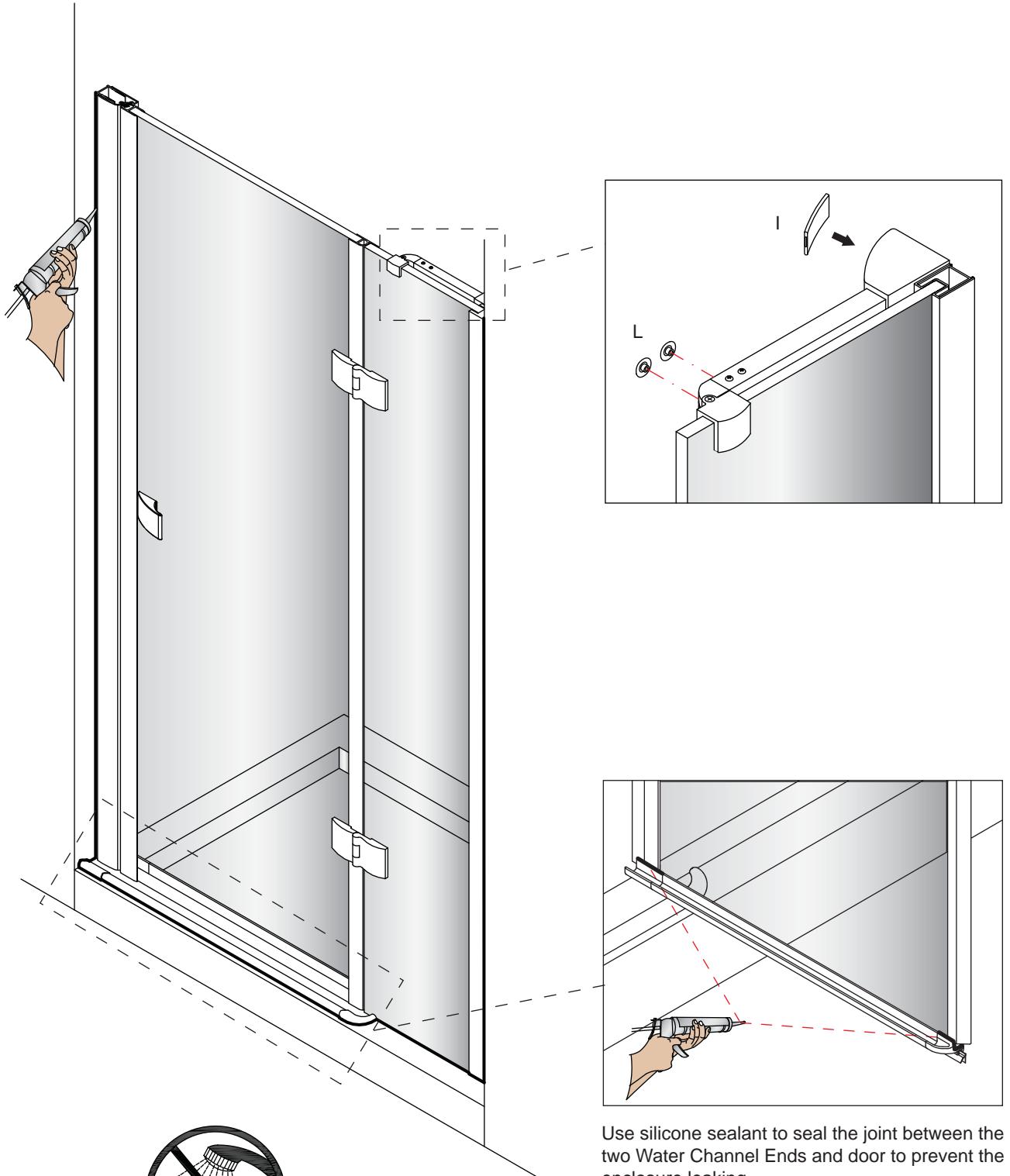
Using a pencil mark the outline after adjusting the 3 parts fit for the shower tray and door glass.

Spread silicone sealant under the 3 parts, put them on the shower tray following the marked line.





Step 14



Use silicone sealant to seal the joint between the two Water Channel Ends and door to prevent the enclosure leaking.

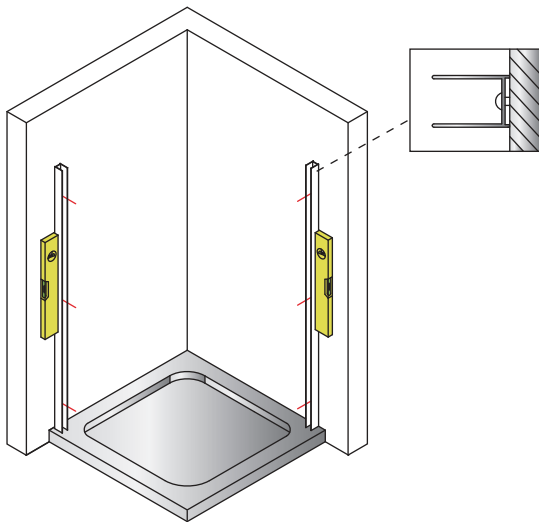
# HINGED DOOR & SIDE PANEL

## Step 1 - FITTING AND POSITIONING WALL CHANNEL



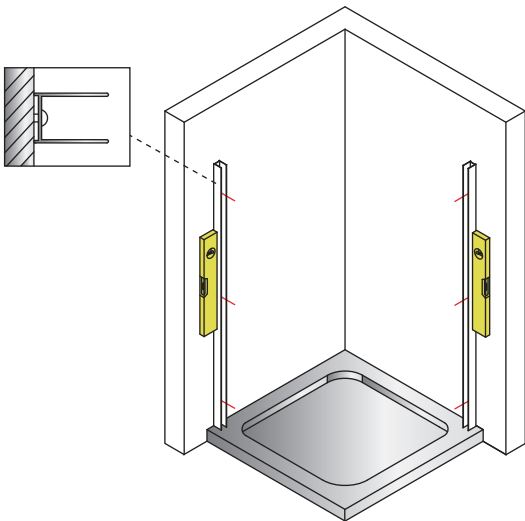
Wall channel (b), Closing frame, Magnetic strip (S), End part (AB) and End part (AC) are required only for door in alcove installation. If your installation is Hinged Door & Side Panel. Please disregard these parts.

### Left Hand



Place each wall channel in position on the tray (17 - 22mm in from the outer edge of the tray), use a spirit level to ensure that they are vertical and mark all 6 fixing holes onto the wall.

### Right Hand



Place each wall channel in position on the tray (17 - 22mm in from the outer edge of the tray), use a spirit level to ensure that they are vertical and mark all 6 fixing holes onto the wall.



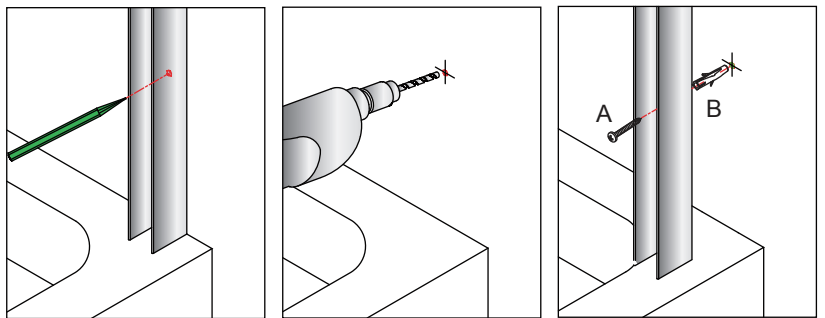
REFER TO PAGE ONE FOR YOUR CHOICE OF INSTALLATION - LEFT OR RIGHT!

Get the two wall channels separately from the hinged door packing and side panel packing. Place wall channel in position on the tray (Left diagram shown for reference), use a spirit level to ensure that it is vertical and mark all 3 fixing holes onto the wall.

Drill holes in the positions marked using a 6mm masonry drill bit. Insert wall plugs (B) into all of the holes (beyond the thickness of the tile).

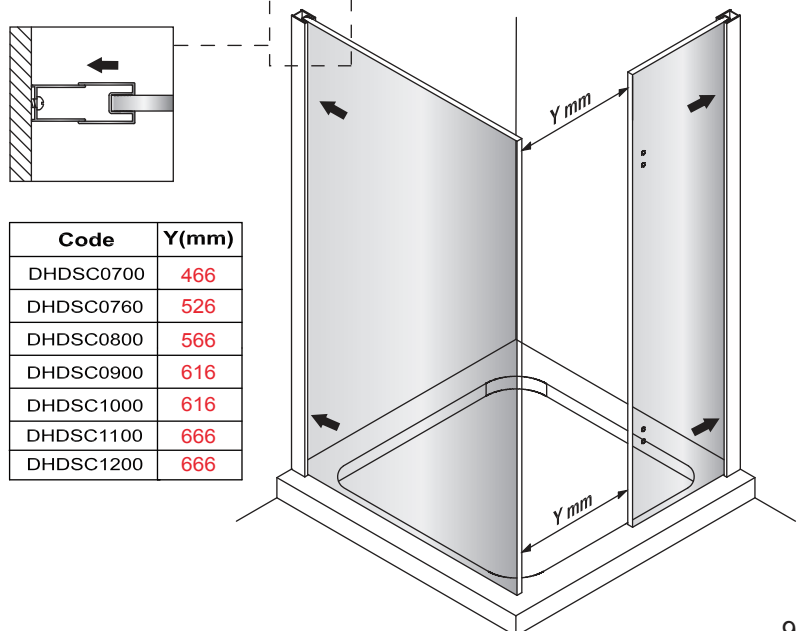
Fix the wall channel to the wall using 3 screws (A).

**Note:** Inject silicone sealant into the holes before inserting the screws to seal the holes.



## Step 2

- Refer to the diagram below, locate the side panel.
- Drill holes and fix the wall channel to wall.
- Push the side panel on to the wall channel.



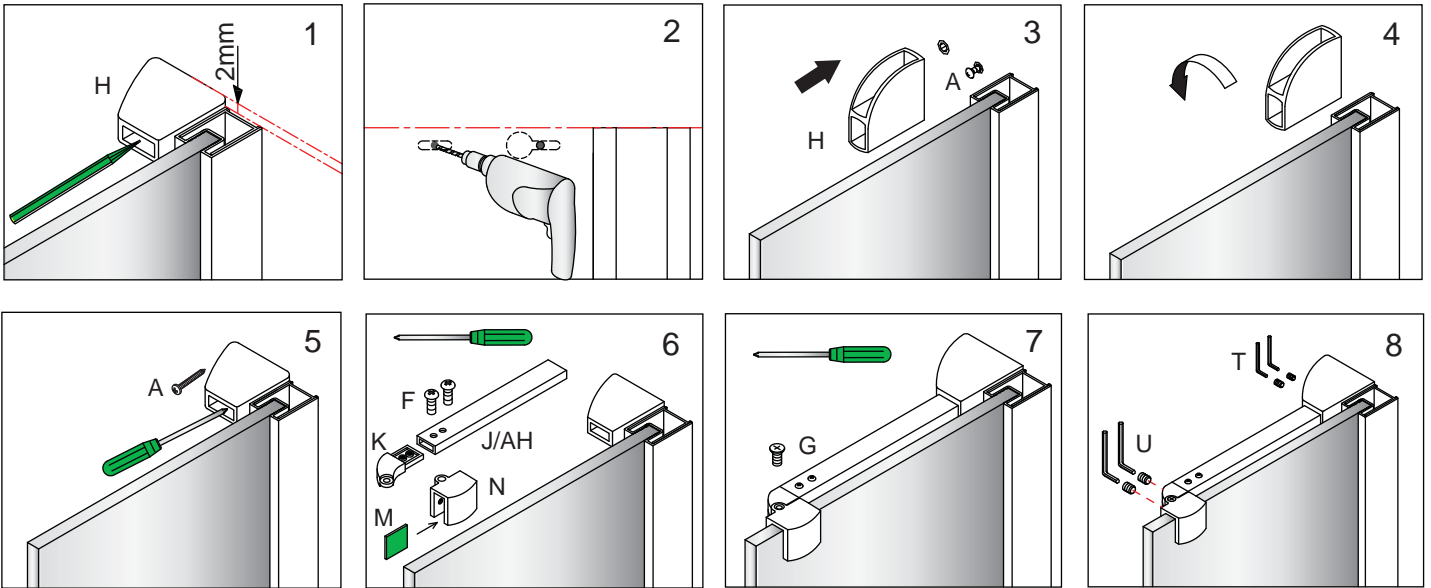
Code	Y(mm)
DHDSC0700	466
DHDSC0760	526
DHDSC0800	566
DHDSC0900	616
DHDSC1000	616
DHDSC1100	666
DHDSC1200	666

## Step 3 - FITTING THE BRACING BAR

Place part (H) in position (2mm above the side panel in vertical; align against the side panel in horizontal.)

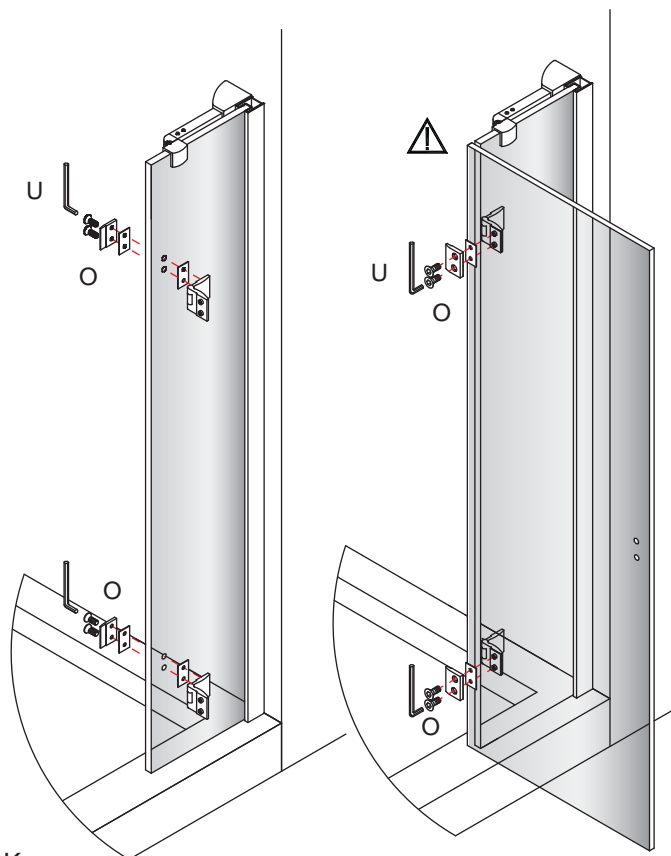
Use a spirit level to check the level. Mark the hole positions on to the wall.

Drill holes in the positions marked using a 6mm masonry drill bit. Insert wall plugs (B) into the two holes. (beyond the thickness of the tile).

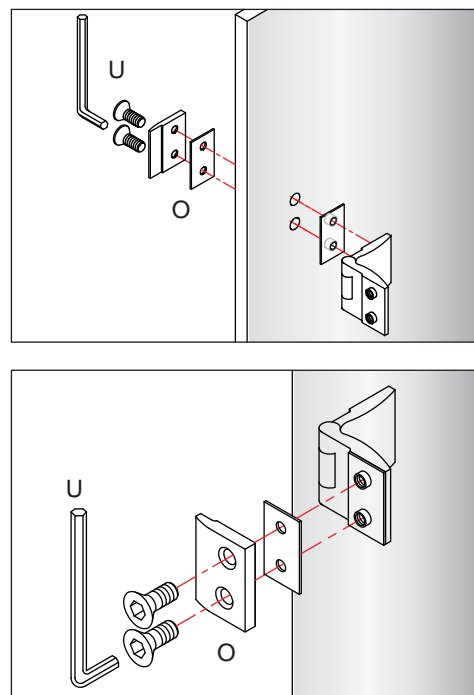


**⚠ Please note the fixing bar J is for fixed hinge panel, and fixing bar AH is for the side panel.**

## Step 4 - HINGE ASSEMBLY



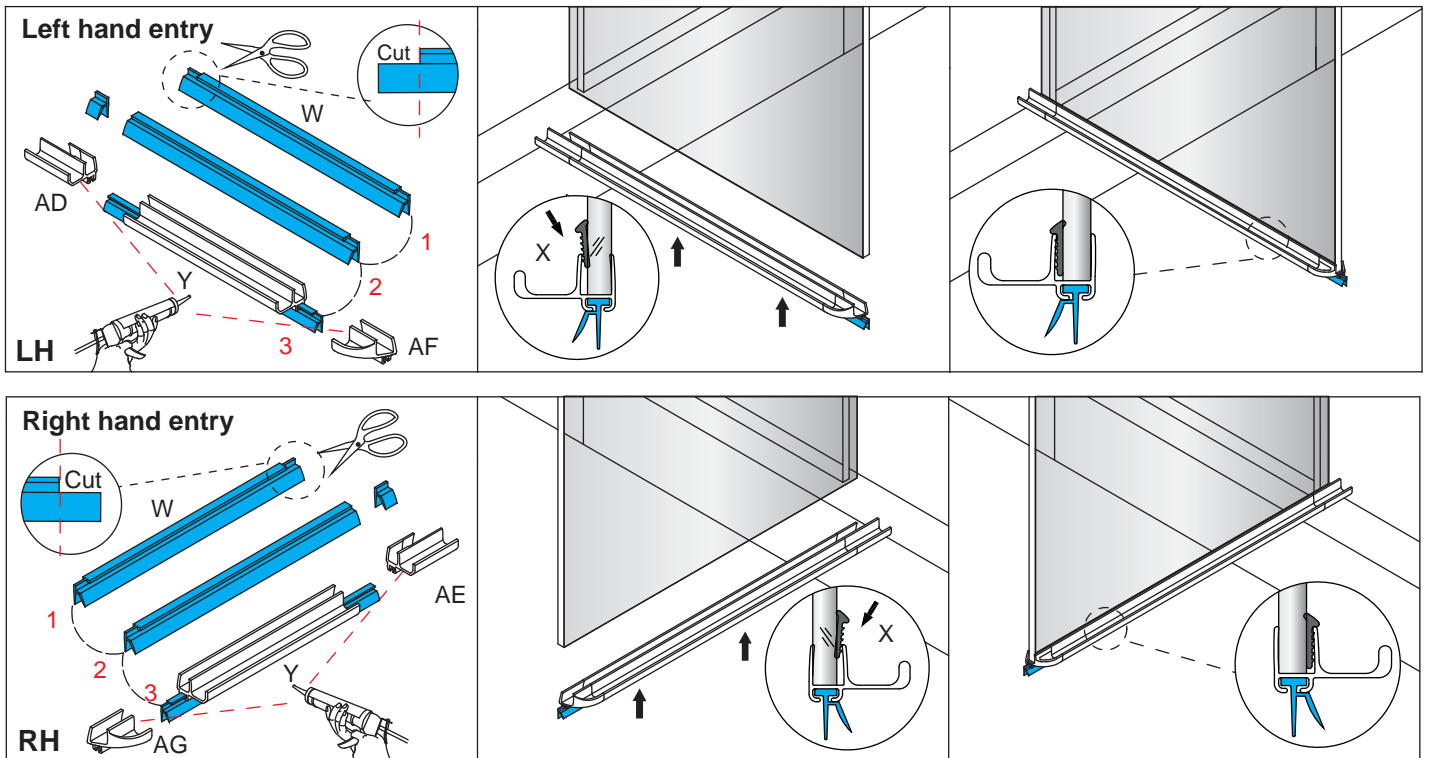
Fix Hinges to a glass door.  
Support door and fix hinges to side panel. Do not fully tighten.  
Check that the door closes and that the top is aligned with the side panels. Fully tighten screws.



## Step 5

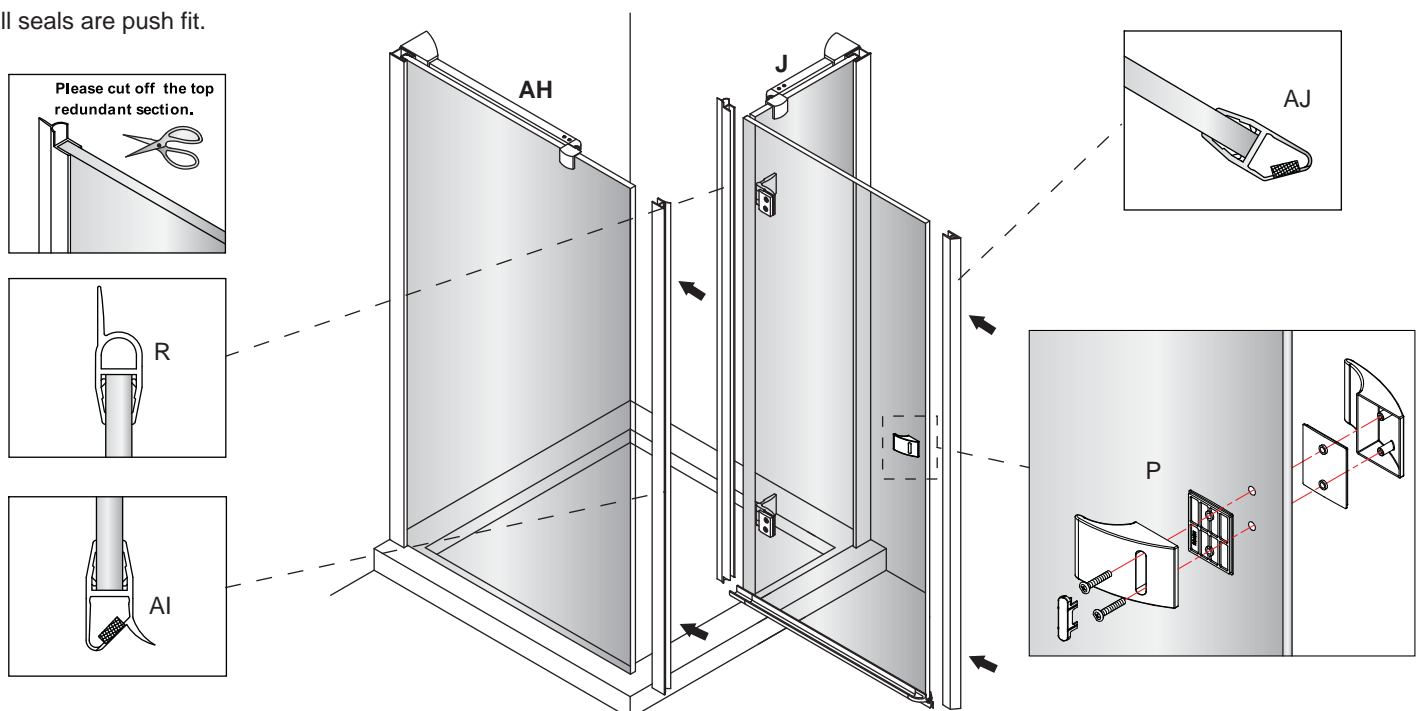
Depending on whether you have a right hand or left hand hinged door please select the correct diagram shown below for the fitting of the Water Channel, Water Channel Ends and Bottom Waterproof Strip.

1. Depending on left or right hand installation cut the redundant end of Bottom Waterproof Strip (W), cut off evenly the stepped section.
2. Insert Bottom Waterproof Strip (W) into Water Channel Middle (Y) with profile end to Non hinged side of door making sure it goes completely home into Water Channel End (AF) or (AG).
3. Slide Water Channel End (AF) or (AG) onto Bottom Waterproof Strip (W) and Water Channel Middle (Y) using silicone sealant on joint faces.
4. Slide Water Channel End (AD) or (AE) onto Bottom Waterproof Strip (W) and Water Channel Middle (Y) using silicone sealant on joint faces.
5. Insert completed assembly onto bottom of door and fit Plastic Seal Strip (X).



## Step 6 - FITTING SEALS

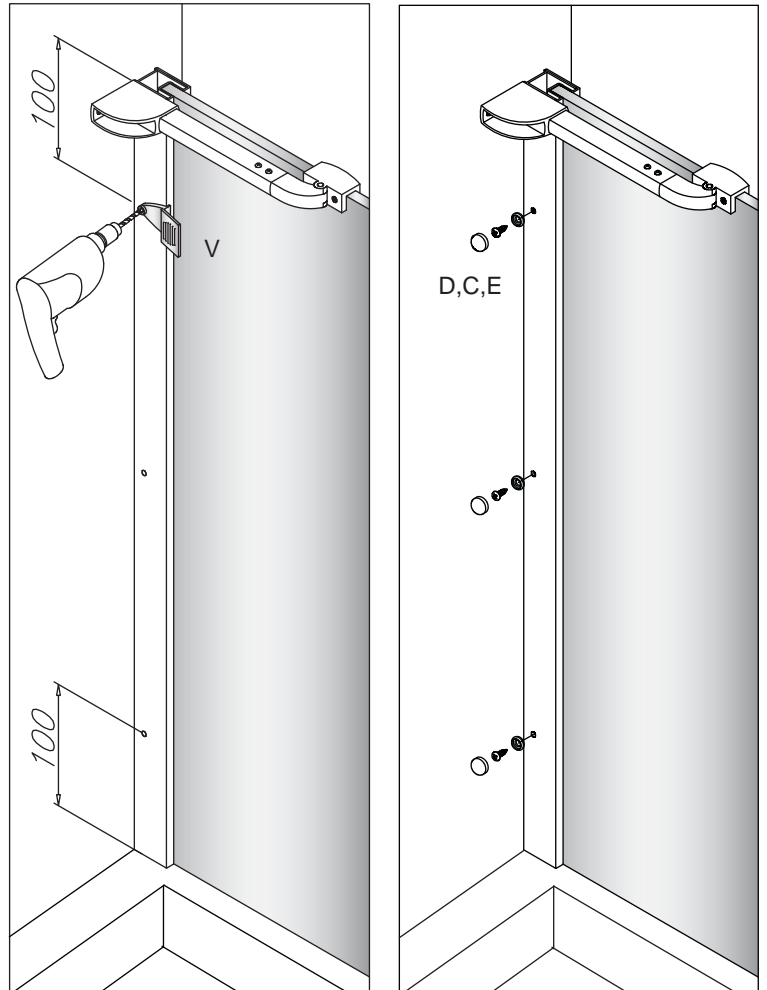
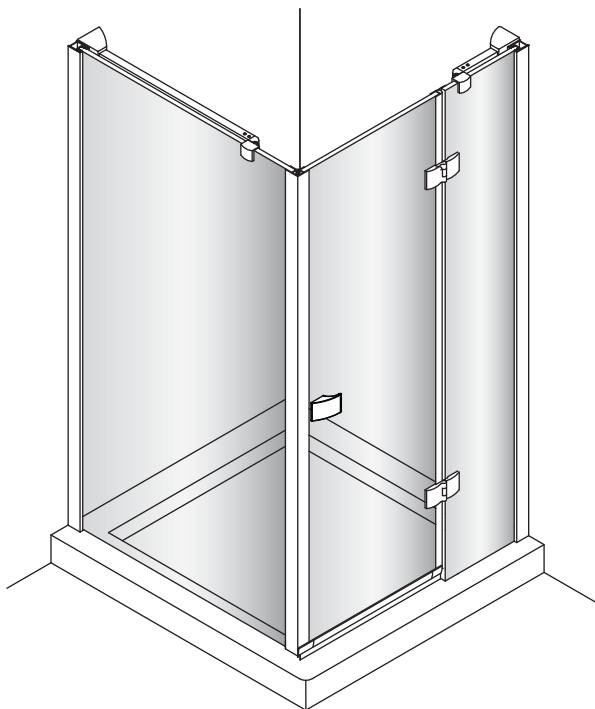
All seals are push fit.



## Step 7

Once you have checked that the door opens and closes correctly fix the side panels to the wall channels.

From inside, drill 3 holes through each wall channel/side frame using a 3.2mm drill bit and Drill Jig (V). Fix using washers (D), screws (C) and push on the screw covers (E).

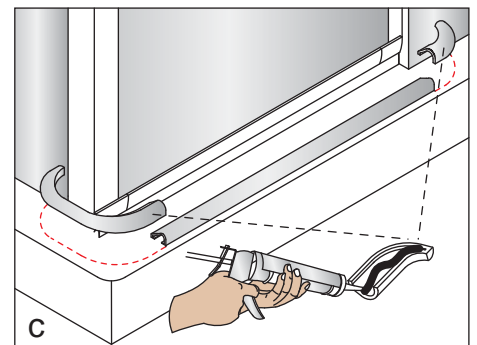
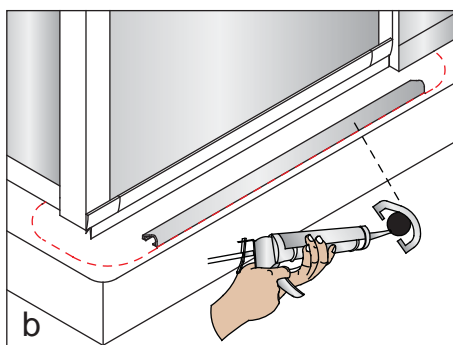
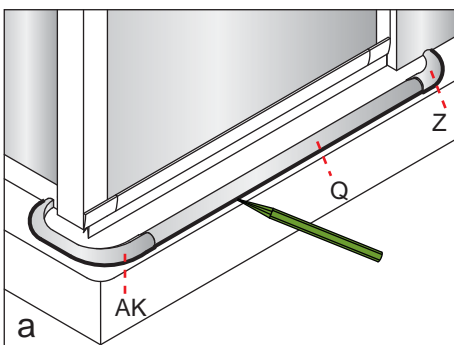


## Step 8

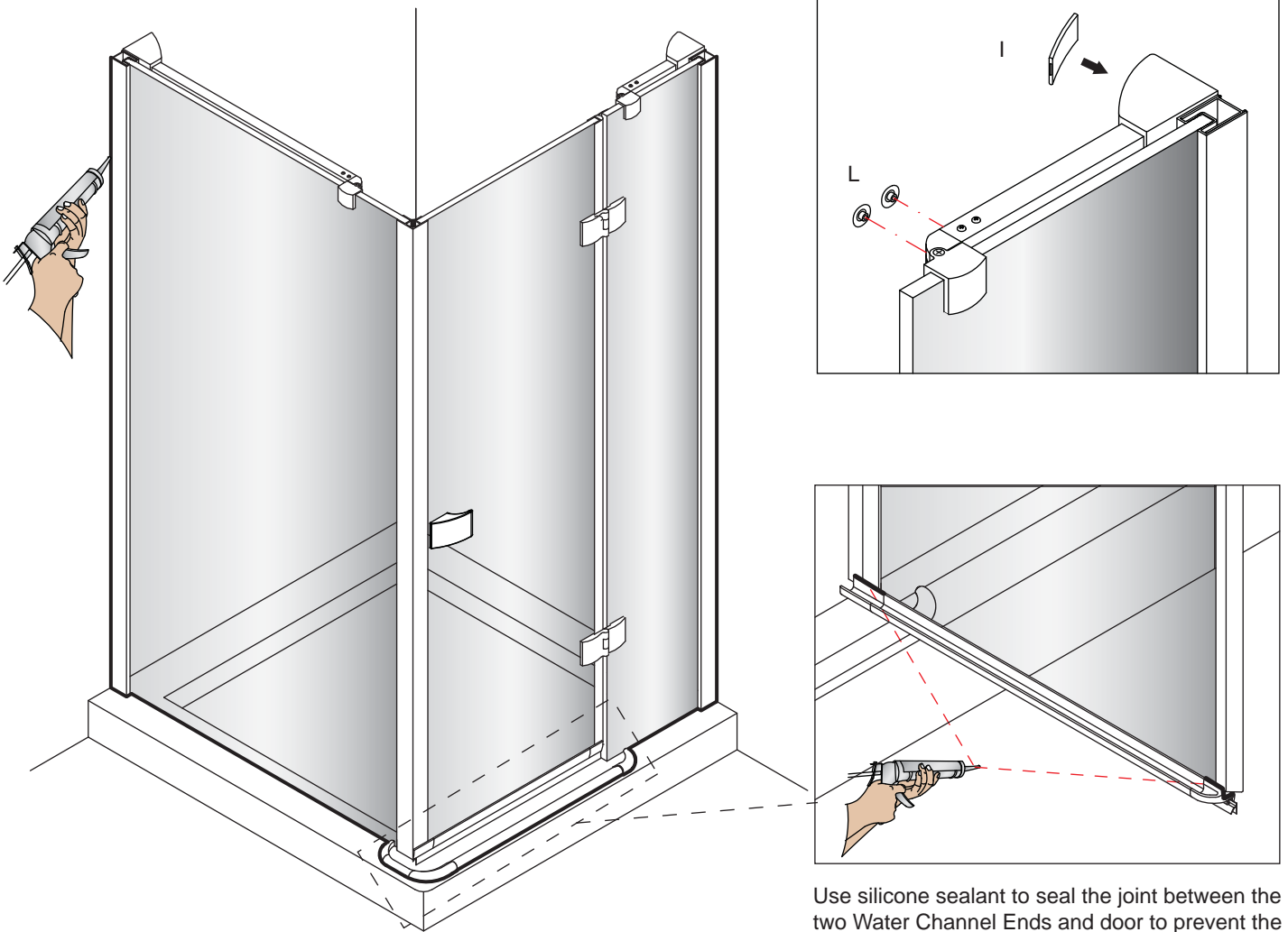
Place the breakwater bar (Q) and the two end parts - LH (AK, Z) or the two end parts - RH (AL, AA) on the shower tray.

Using a pencil mark the outline after adjusting the 3 parts fit for the shower tray and door glass.

Spread silicone sealant under the 3 parts, put them on the shower tray following the marked line.



Step 9



Use silicone sealant to seal the joint between the two Water Channel Ends and door to prevent the enclosure leaking.



**simpsons**

For any further information please contact  
Simpsons on: 0845 873 5808

Or visit our web-site at  
[www.simpsons-enclosures.co.uk](http://www.simpsons-enclosures.co.uk)

The manufacturer reserves the right to make technical  
modifications without prior notice.