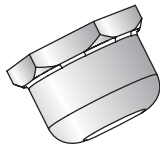
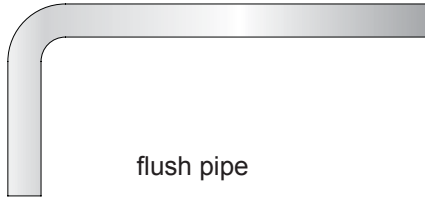

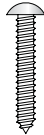
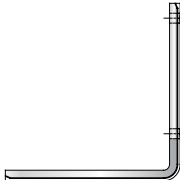



- Mount the cistern securely on the wall at the height of 750mm from the underside of the cistern to the floor using the fixing holes through the rear of the cistern and the fitted **brackets**. See handy hint. The cistern can be mounted lower if needed, but the minimum height from the underside of the cistern to the floor should be 600mm.
- Use the **brass fixing nut** (as part of the **decorative cover**) to fix in the cistern fittings. Place the **decorative cover** and **plastic fixing nut**, **plastic washer**, **cone shaped washer** (supplied as parts of the cistern fittings) over the top of the **flush pipe** (longer end of the **flush pipe**) and insert into the **threaded siphon stem** (supplied as part of the cistern fittings). Once the **flush pipe** is secured by the **plastic fixing nut**, screw the **decorative cover** up to the **brass fixing nut**.
- Insert the lower end of the **flush pipe** into the pan via the **flush cone** (supplied as part of the cistern fittings).

HANDY HINT

When installing your cistern, ensure that the **rubber spacing washers** are used to create a small gap between the cistern back and the wall. There are two reasons for this firstly it will help to reduce the possibility of condensation when cold mains pressure is contained within a humid environment. Secondly, the gap will help prevent 'thermal shock'. This is when rapid temperature change occurs (usually overnight) and causes the wall to contract or expand, thus cracking the sanitary ware. When fixing the cistern to the wall it is advisable to insert the screw through a washer (not supplied) on the inside of the cistern. This will prevent the screw damaging the sanitary ware when the screw 'bites'.

Parts supplied:

 <p>decorative cover & brass fixing nut 1x</p>		 <p>flush pipe 1x</p>	
 <p>rawl plug 4x</p>	 <p>screw 4x</p>	 <p>bracket 2x</p>	 <p>rubber spacing washer 4x</p>

