



Milan Range

Milan Sink Taps

Product Code: MILAN 103

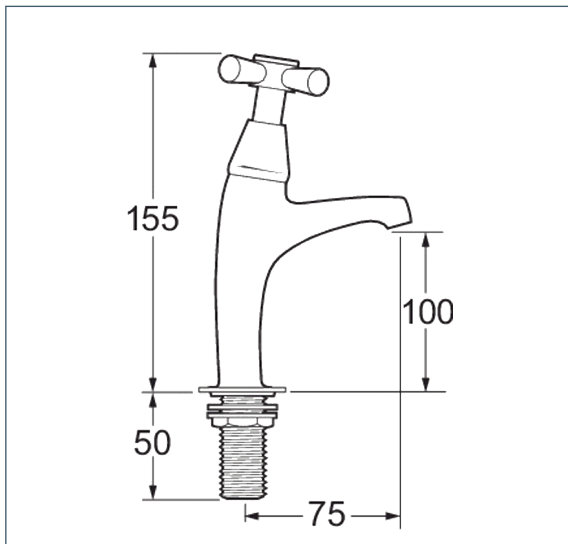
Finish: Chrome

Features

- Construction:** Brass
- Valve/Cartridge type:** Ceramic Disc Valve
- Supply:** Suitable for all plumbing systems
- Working Pressures:** 0.1 - 5.0 bar
- Inlet connections:** 1/2" BSP
- Flexi or Copper:** Plastic Backnuts



*Please refer to website for full warranty details.



Flow (Bar - l/min, open outlet)

Spout

| Flow 0.1 | Flow 0.3 | Flow 0.5 | Flow 1.0 | Flow 2.0 | Flow 3.0 | Flow 4.0 | Flow 5.0 |
|----------|----------|----------|----------|----------|----------|----------|----------|
| 8.0 | 11.0 | 16.0 | 18.0 | 20.0 | 25.0 | | |



1505004

