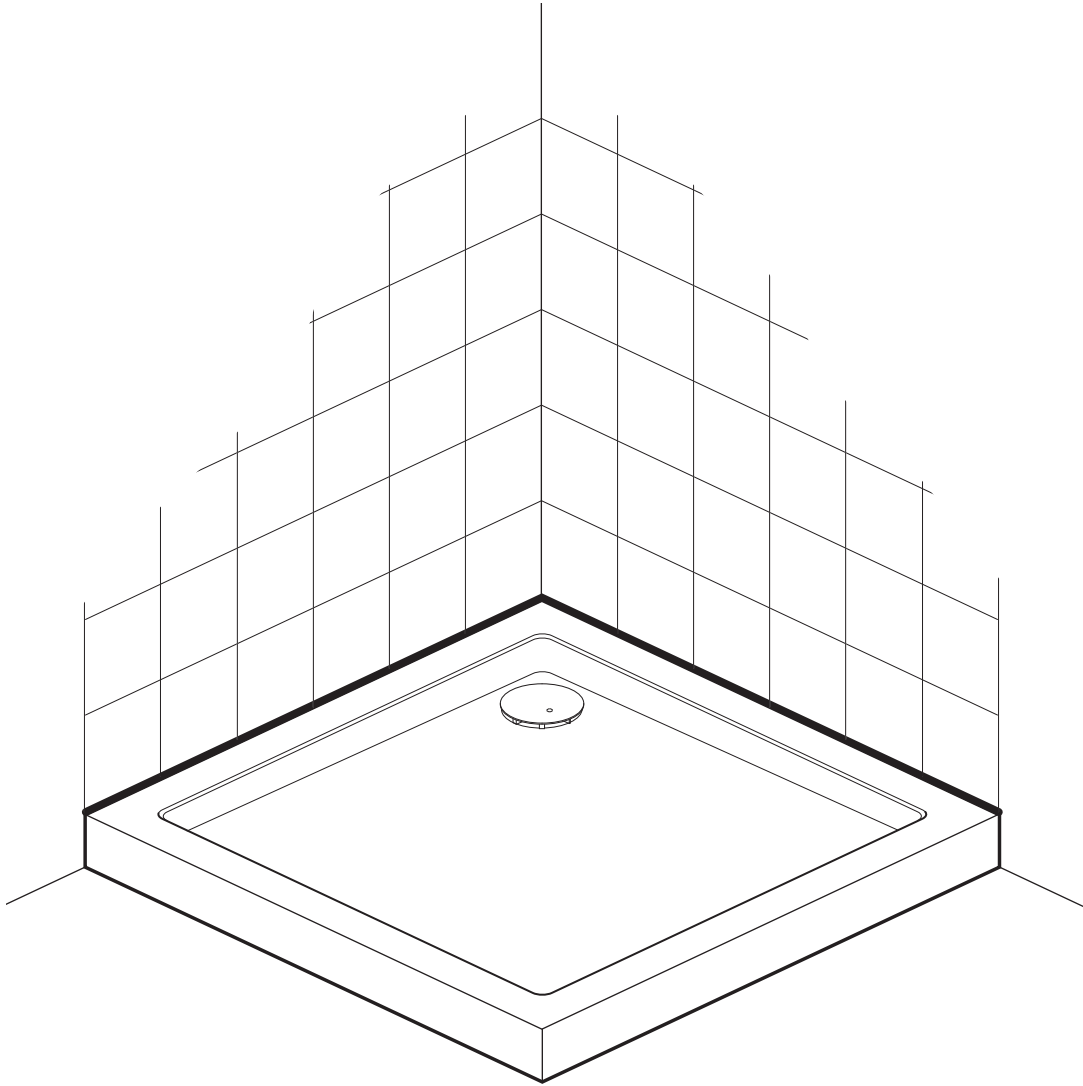


SHOWER TRAYS



INSTALLATION INSTRUCTIONS

simpsons 

IMPORTANT

Please read these instructions carefully before starting installation and keep in a safe place for future reference.

Check the contents of the pack carefully before installation. Simpsons will not be held responsible for any de-fit / re-fit costs where faulty product has been fitted.

If any fault is found with materials or workmanship, it must be reported immediately to the manufacturer. Remedial action will be taken, based on information received, on condition that: 1. Full details are supplied to the manufacturer; 2. The screen has not been modified or tampered with; 3. The manufacturer is informed of any damage/shortages prior to installation.

We do not accept responsibility for any problems that may occur through incorrect installation.

INSTALLATION

Advice and Safety

We advise that the shower tray should be installed by a qualified Plumber.

It is recommended that the shower tray is installed before tiling. This ensures that the tray is rebated into the plaster behind where the tile face will be, and will help to achieve a watertight joint. With a rebate or partial rebate the amount of adjustment of the enclosure could be affected. Therefore ensure the shower enclosure to be fitted has sufficient adjustment to fit with the shower tray in rebate or partial rebate.

These hints have been prepared for your guidance, you must exercise due care at all times.

It is recommended that 2 people carry out the installation of this Shower tray.

Warning! Please check for any hidden pipes or cables before drilling holes in the floor or walls.

When using power tools always follow the manufacturers user instructions.

Leave the silicone sealant to dry for 24 hours before using the enclosure.

CARE AND CLEANING

Clean the shower tray regularly to remove any insoluble debris. Hot soapy water should be used and then the tray should be wiped down. Cleaners of a gritty or abrasive nature should NEVER be used.

The acrylic surface of these shower trays have good resistance properties to acids but should not come into contact with alkalis or organic solvents, such as caustic soda, dry cleaning agents and paint strippers.

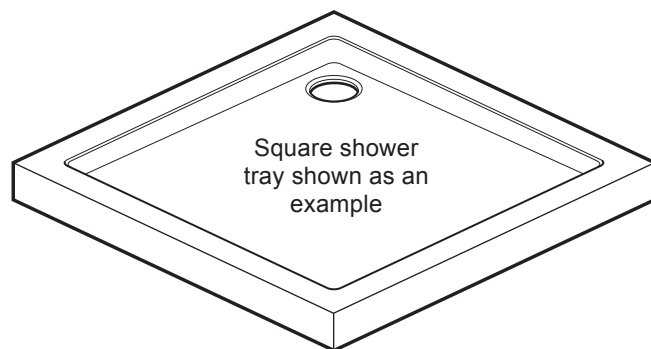
If any maintenance is required then it must be carried out by a qualified Plumber.

The Waste: Check and clean the waste inner filter regularly.

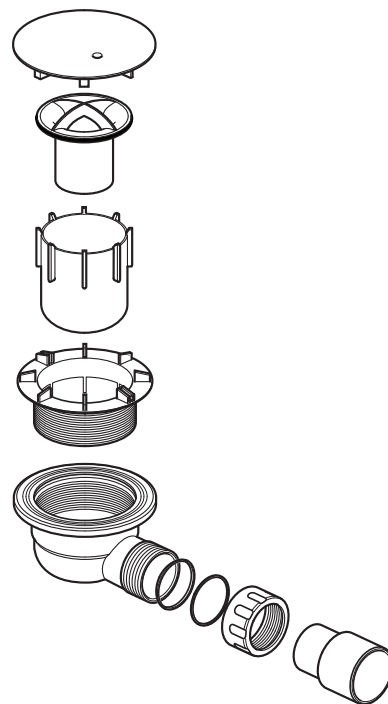
1. Remove the waste cover. 2. Remove the inner filter.
3. Clean with hot soapy water. 4. Re-assemble in reverse order.

CONTENTS

SHOWER TRAY



HIGH FLOW WASTE



Tools and equipment needed

Spirit level, Pencil, Silicone sealant.

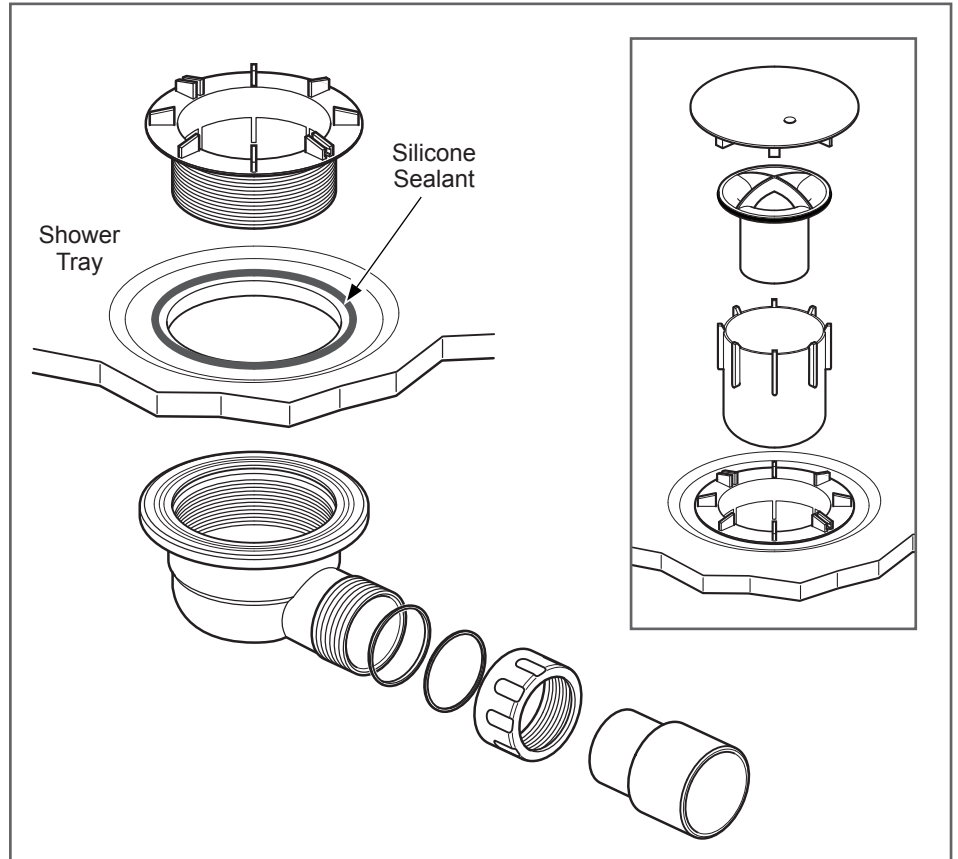
SHOWER TRAYS

Step 1

Remove the protective film from around the waste hole area and the sides of the shower tray only. Leave the rest of the film in place on the main surface of the tray.

Position the shower tray in the desired location to check that the tray waste hole, the shower trap and any drainage pipe work line up.

Place the shower waste trap in position and connect it to the waste pipe. Position shower waste trap so that it will align with the shower tray waste hole. Seal the joint between the shower waste and the shower tray with silicone sealant.



Step 2

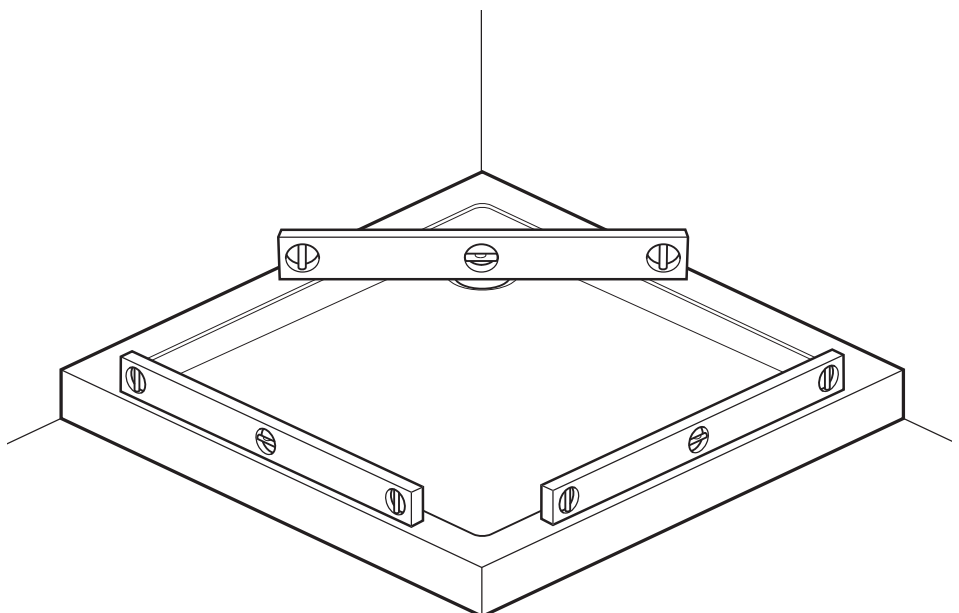
Ensure that the floor is clean, dry, firm and level.

If positioning the shower tray on a relatively level wooden/concrete floor, use a silicone based adhesive on the base to fix the tray.

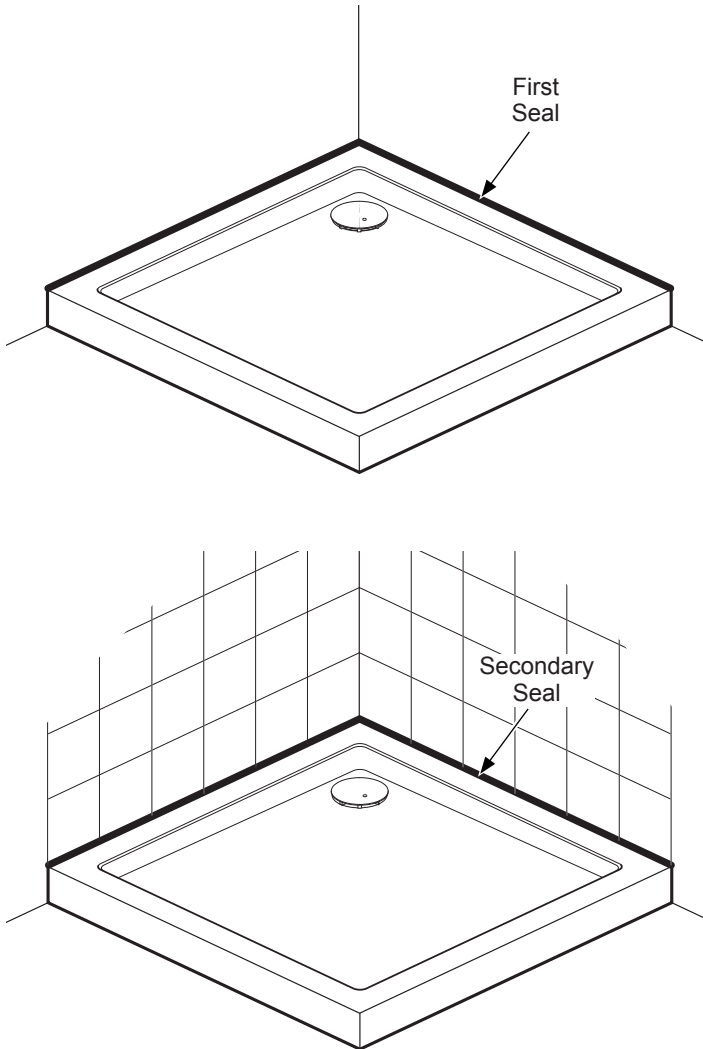
If the floor is a rough but relatively level concrete floor it is suggested that the installer should use a purpose made floor screed to smooth the area first.

Reposition the shower tray in the desired location and ensure that it is level on all sides. If necessary pack up the underside of the tray to level it and connect the waste trap.

The tray **MUST** be level on all sides to ensure consistent drainage. The main surface of the shower tray has a built in fall to allow for drainage. Check the sides of the tray with a spirit level.

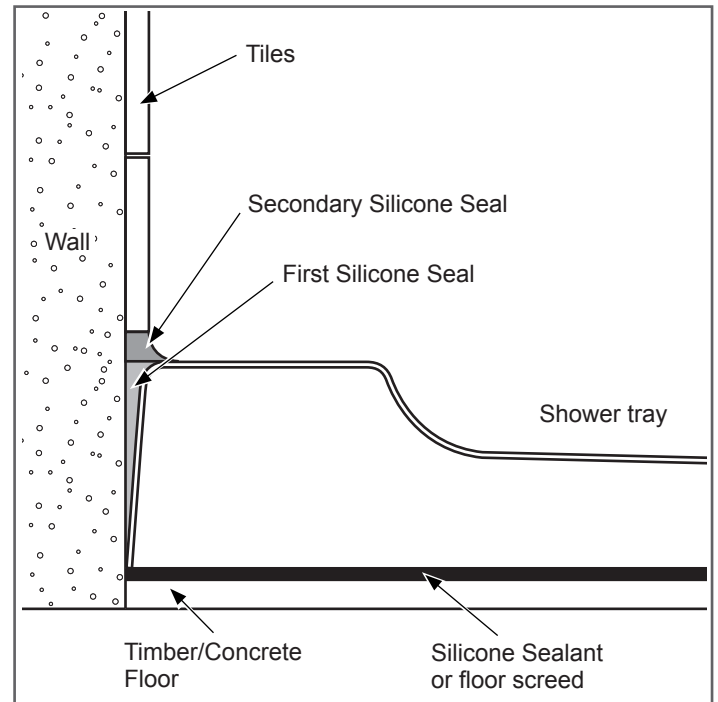


Step 3



Seal the joint between the shower tray and the adjoining wall with silicone sealant to provide the first seal.

The area is now ready for tiling followed by a further application of silicone sealant for a second seal.



Once the tiled area has cured (follow the manufacturers recommendations) then the shower enclosure can be installed. Only remove the remainder of the protective film from the main surface of the shower tray once the shower enclosure has been completely installed.

simpsons 

For any further information please contact
Simpsons on: **01483 303711**

Or visit our web-site at:
www.simpsons-enclosures.co.uk

The manufacturer reserves the right to make technical
modifications without prior notice.