

Technical Data Sheet

ROPER RHODES®

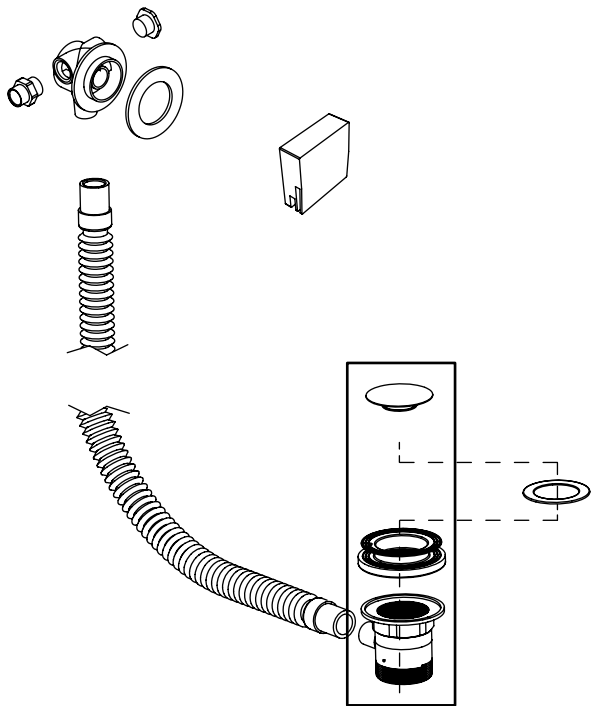
Smartflow Round Bath Filler - SVACS02

No.	Description	Code	Fixings Included
1	Smartflow Round Bath Filler	SVACS02	YES



Dimensions - SVACS02

Diagrams not to scale. All dimensions in mm (tolerance of +/-5mm)



FAQ	Answer
Maximum hose length	1600mm
Depth of visible bath filler part	30mm
Depth of bath filler body	43mm
Depth of overall bath filler piece combined	73mm
Diameter of bath filler hole required	43mm
Diameter of SVACS02 head	70mm
Diameter of SVACS07 head	70mm
Maximum bath thickness	18mm
Minimum bath thickness	1mm

*Dimensions are subject to change, customers are advised to measure actual product before commencing installation.

FAQs

Is the waste standard? Yes.

Technical Data Sheet

ROPER RHODES®

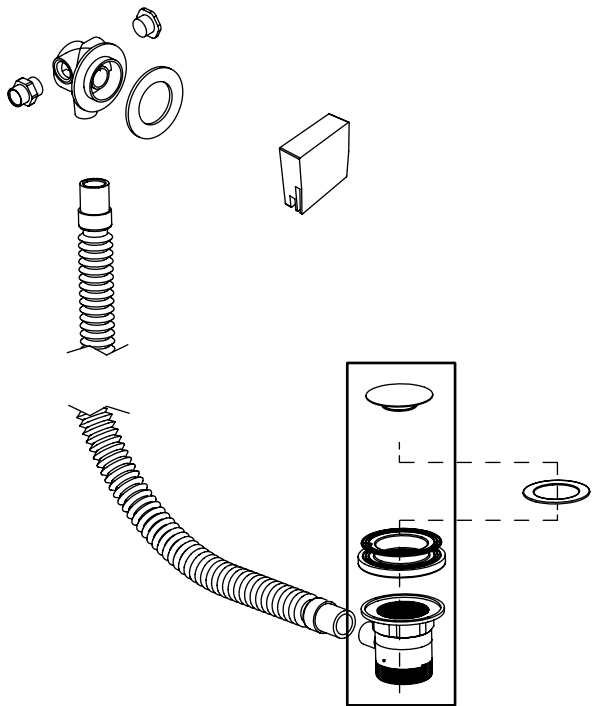
Smartflow Square Bath Filler - SVACS07

No.	Description	Code	Fixings Included
1	Smartflow Square Bath Filler	SVACS07	YES



Dimensions - SVACS07

Diagrams not to scale. All dimensions in mm (tolerance of +/-5mm)



FAQ	Answer
Maximum hose length	1600mm
Depth of visible bath filler part	30mm
Depth of bath filler body	43mm
Depth of overall bath filler piece combined	73mm
Diameter of bath filler hole required	43mm
Diameter of SVACS02 head	70mm
Diameter of SVACS07 head	70mm
Maximum bath thickness	18mm
Minimum bath thickness	1mm

*Dimensions are subject to change, customers are advised to measure actual product before commencing installation.

FAQs

Is the waste standard? Yes.