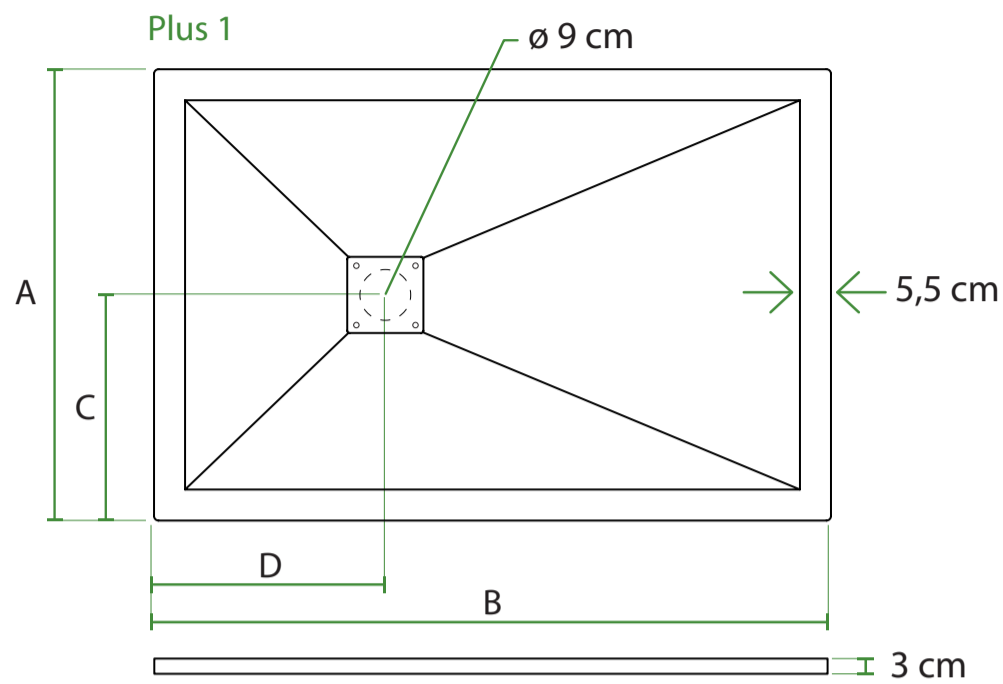
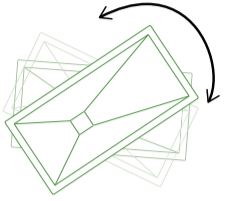


Reversi bile



A cm	B cm	C cm	D cm
90	120	45	41
90	140	45	51
90	170	45	66