

WETROOM CEILING POST FITTING INSTRUCTION

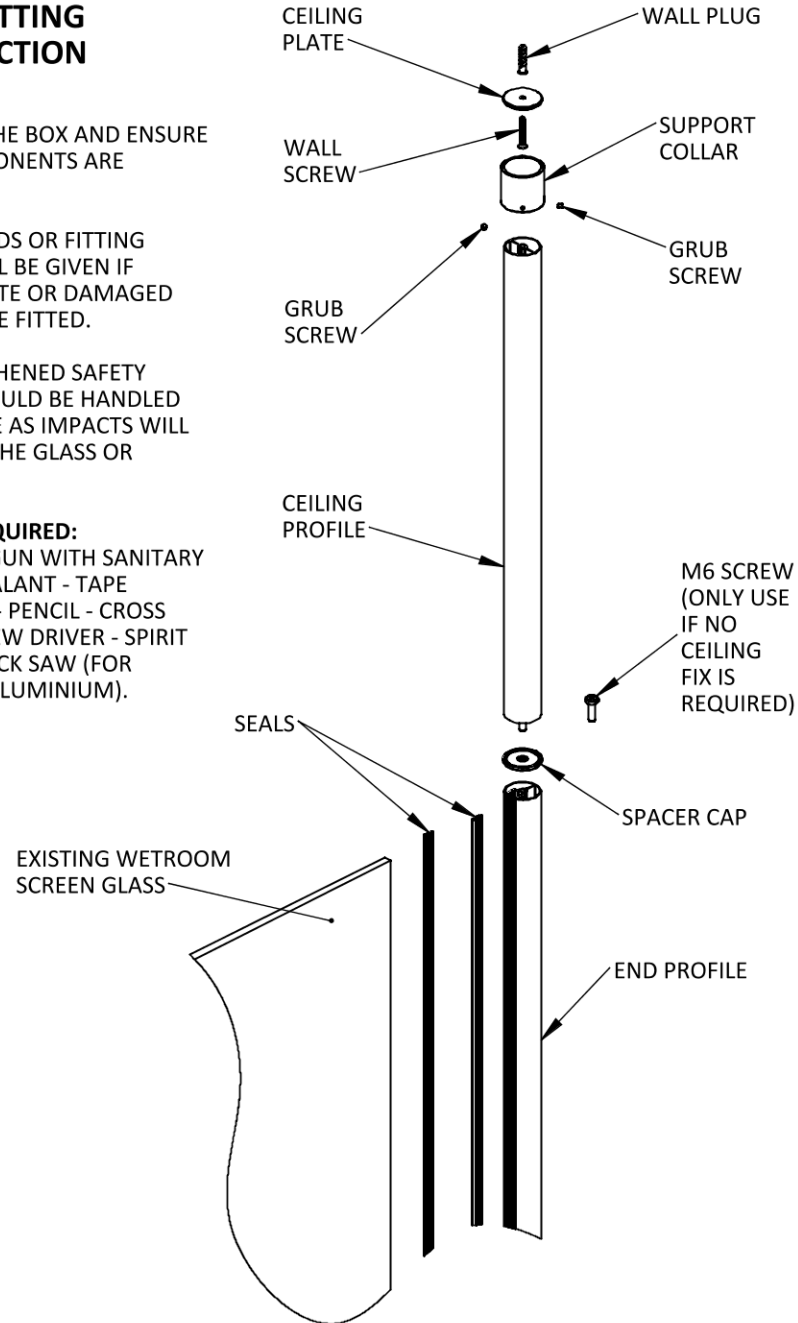
UNPACK THE BOX AND ENSURE ALL COMPONENTS ARE PRESENT.

NO REFUNDS OR FITTING COSTS WILL BE GIVEN IF INCOMPLETE OR DAMAGED GOODS ARE FITTED.

THE TOUGHENED SAFETY GLASS SHOULD BE HANDLED WITH CARE AS IMPACTS WILL DAMAGE THE GLASS OR SCREEN.

TOOLS REQUIRED:

SILICONE GUN WITH SANITARY GRADE SEALANT - TAPE
MEASURE - PENCIL - CROSS HEAD SCREW DRIVER - SPIRIT LEVEL - HACK SAW (FOR CUTTING ALUMINIUM).

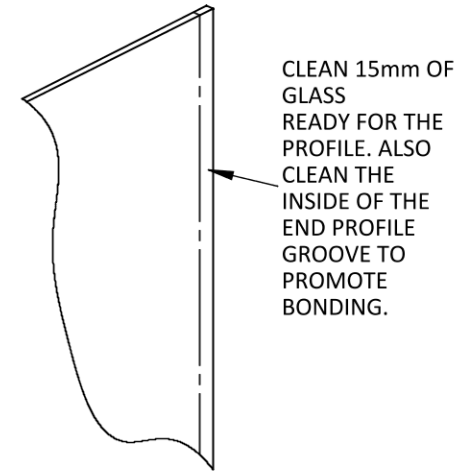


1.

MEASURE THE TOTAL HEIGHT OF GLASS AND CUT THE END PROFILE 1mm LONGER. USE MASKING TAPE WHEN CUTTING TO AVOID DAMAGING THE PROFILE. A FLAT AND SQUARE CUT IS ESSENTIAL. THIS CUT WILL BE AT THE BOTTOM OF THE GLASS.

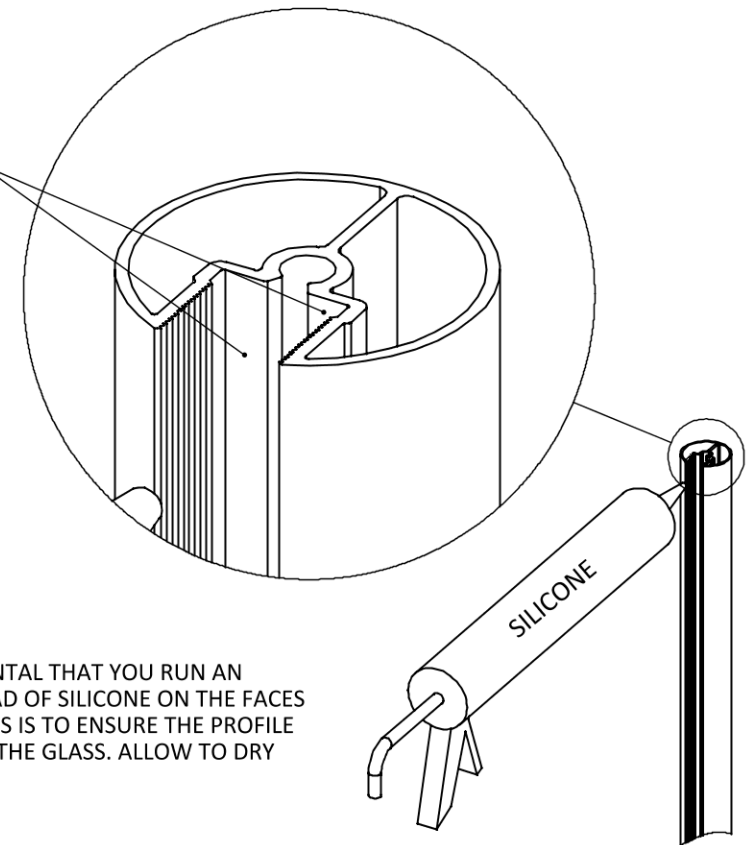
CUT SEALS SAME LENGTH AS THE END PROFILE.

2.



3.

SILICONE
FLAT FACES



IT IS FUNDIMENTAL THAT YOU RUN AN ADEQUATE BEAD OF SILICONE ON THE FACES INDICATED. THIS IS TO ENSURE THE PROFILE IS BONDED TO THE GLASS. ALLOW TO DRY BEFORE USING.

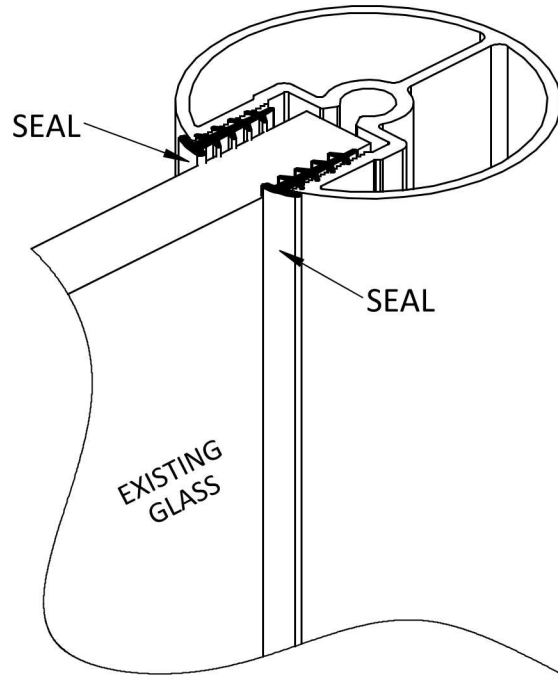
4.

FIT END PROFILE ONTO GLASS.

INSERT TWO SEALS FOR 8mm GLASS AND USE ONE SEAL FOR 10mm GLASS, ON THE INSIDE OF THE SCREEN.

YOU CAN USE A WOODEN BLOCK TO AID FITTING OF THE SEALS, IF REQUIRED.

TAKE CARE NOT TO MARK THE PRODUCT.



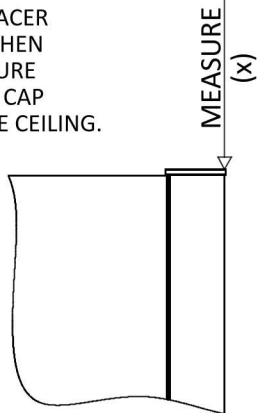
IF YOU'RE NOT USING THE CEILING FIX YOU CAN NOW FIT THE SPACER CAP AND M6 SCREW TO FINISH.

CEILING FIX

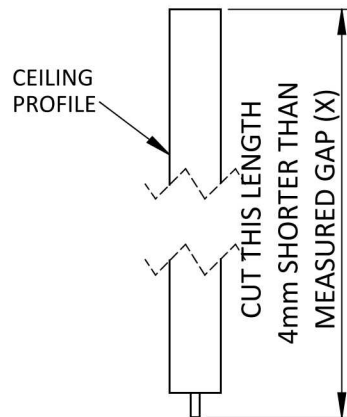
5.



FIT SPACER CAP. THEN MEASURE FROM CAP TO THE CEILING.



6.



7.

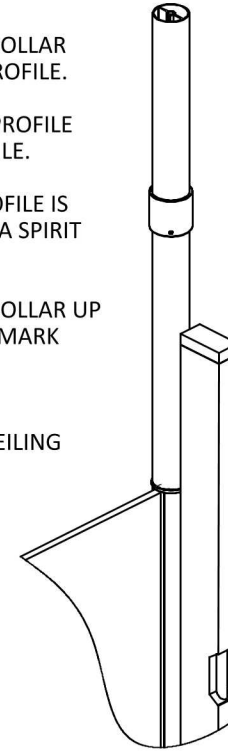
SLIDE SUPPORT COLLAR ONTO CEILING PROFILE.

SCREW CEILING PROFILE ONTO END PROFILE.

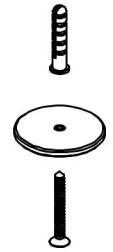
ENSURE END PROFILE IS VERTICAL USING A SPIRIT LEVEL.

SLIDE SUPPORT COLLAR UP TO CEILING AND MARK AROUND WITH A PENCIL.

NOW REMOVE CEILING PROFILE.



8. FIT CEILING PLATE TO CEILING USING SUITABLE FIXING FOR SUBSTRATE. (MASONRY FIXING SUPPLIED).

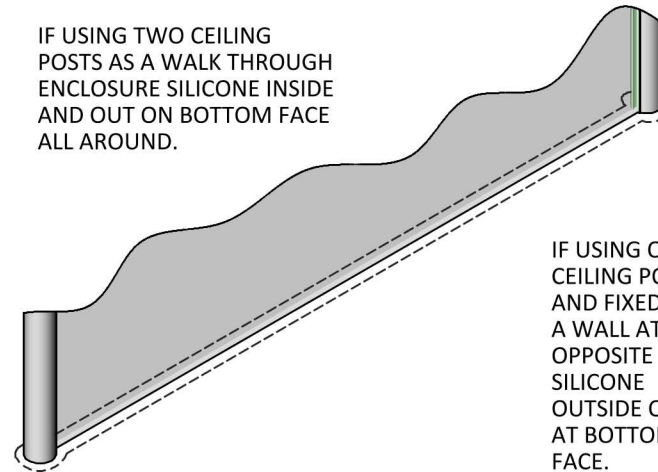


9. REPEAT STEP 7 THEN SCREW SUPPORT COLLAR ONTO CEILING PLATE.

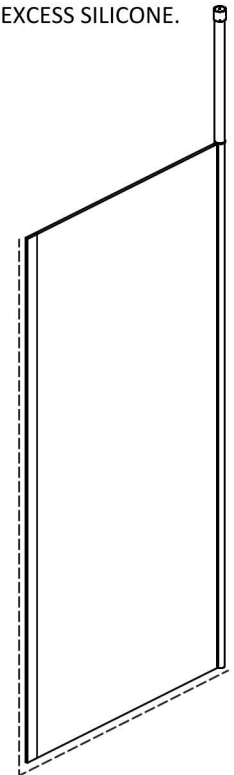
10. FIT BOTH GRUB SCREWS INTO SUPPORT COLLAR.

WIPE OFF ANY EXCESS SILICONE.

IF USING TWO CEILING POSTS AS A WALK THROUGH ENCLOSURE SILICONE INSIDE AND OUT ON BOTTOM FACE ALL AROUND.



IF USING ONE CEILING POST AND FIXED TO A WALL AT OPPOSITE END, SILICONE OUTSIDE ONLY AT BOTTOM FACE.



AFTERCARE: ENSURE YOU CLEAN YOUR PRODUCT USING A MILD DETERGENT DILUTED IN WATER. REMOVE ANY RESIDUE WITH A SOFT DAMP CLOTH.