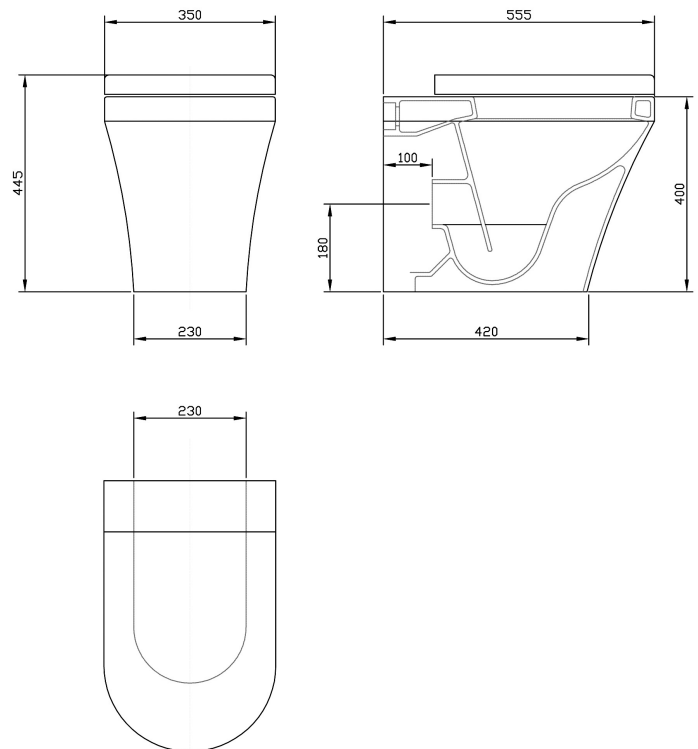


CUSTOMER DATA SHEET

SALES CODE: Cpa008

DESCRIPTION: Luna Btw Pan & Soft Close Seat



PACKAGING DETAILS

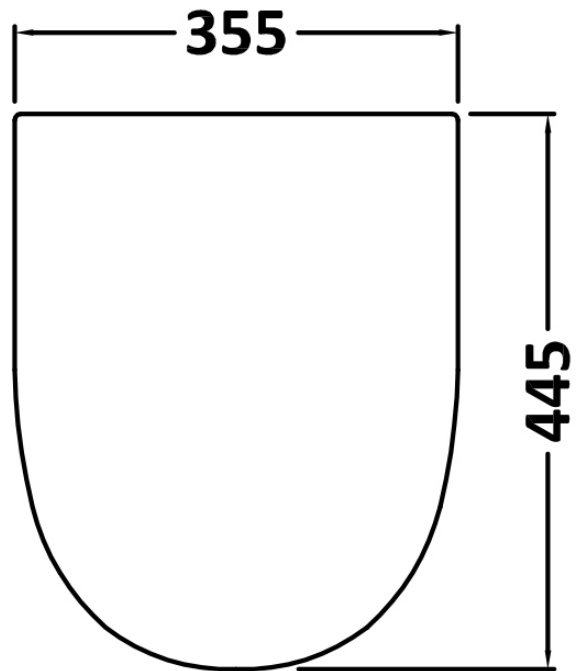
Barcode

5055369031597

CUSTOMER DATA SHEET - TOILET SEATS

SALES CODE: NCU699

DESCRIPTION: Soft Close Seat



PRODUCT DIMENSIONS

Length (mm)	Width (mm)	Height(mm)	Nett Wgt Kg
445	355	45	2.4

PACKAGING DIMENSIONS

Length (mm)	Width (mm)	Height (mm)	Gross Wgt Kg
500	365	50	2.4

PACKAGING DATA

Box Colour	White Cardboard Box - Printed		
Box Qty	1	Label Colour	Not Applicable
Label Size	100 x 50	Label Qty	1

OUTER BOX DIMENSIONS (If Applicable)

Length (mm)	Width (mm)	Height (mm)	Gross Wgt Kg
400	470	475	
Barcode	5055369030934		

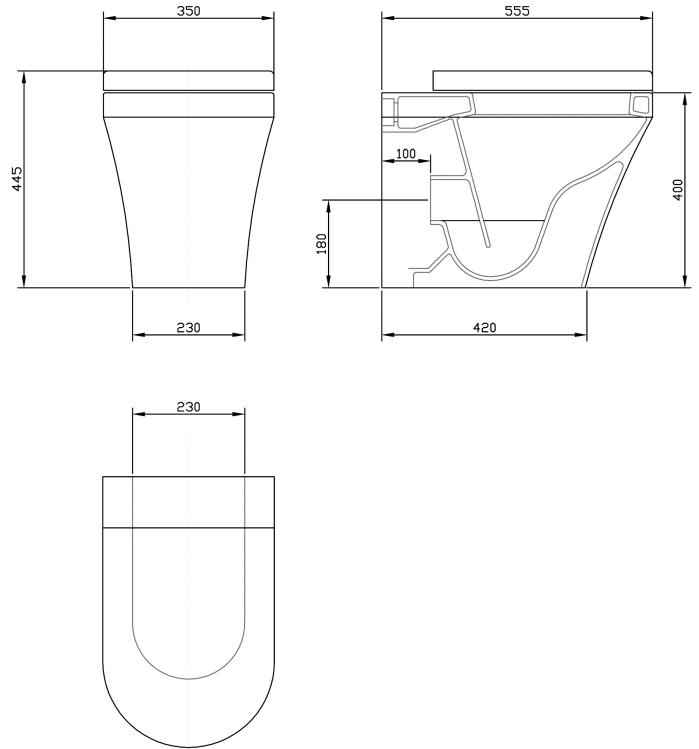
PRODUCT DETAILS

Country of Origin	Turkey	CE Certification	Not Applicable
Fitting Instruction	No	Colour/Finish	White
Product Material	Polypropylene	Fixing Method	Top Fix
Seat Type	D Shape	Seat Function	Soft Close
Hinge Centres (Min)	150	Hinge Material	Polypropylene
Hinge Centres (Max)	186		

CUSTOMER DATA SHEET - CERAMICS

SALES CODE: NCU606

DESCRIPTION: Round Btw Pan



PRODUCT DIMENSIONS

Height (mm)	Width (mm)	Depth (mm)	Nett Wgt Kg
400	350	550	23.5

PACKAGING DIMENSIONS

Height (mm)	Width (mm)	Depth (mm)	Gross Wgt Kg
570	415	365	23.5

PACKAGING DATA

Box Colour	Brown Cardboard Box - Printed		
Box Qty	1	Label Colour	White Label
Label Size	100 x 50	Label Qty	2

OUTER BOX DIMENSIONS (If Applicable)

Height (mm)	Width (mm)	Depth (mm)	Gross Wgt Kg
Barcode		5056211821847	

PRODUCT DETAILS

Country of Origin	Turkey
Fitting Instruction	No

Certification	CE	Yes	WRAS	N/A	WRAS Number	N/A
Product Material	Vitreous China					

PANS/BIDETS

Trap Style	P Trap	Includes Seat	No
------------	--------	---------------	----

CISTERNS

Fittings	Not Applicable	Operating Type	Not Applicable
Lever Type	Not Applicable		

SEAT

Type	D-Shape	Function	Not Applicable
Material	Not Applicable		
Hinge Type	Top Fix	Hinge Material	Not Applicable

BASINS

Tap Hole	Not Applicable	Chain Stay Hole	Not Applicable
Template	Not Applicable	Waste Type Req'd	Not Applicable
Overflow Incl.	Not Applicable	Overflow Cover	Not Applicable
Inner Bowl Depth	N/A		

GENERAL

Fixing Supplied	Yes
-----------------	-----