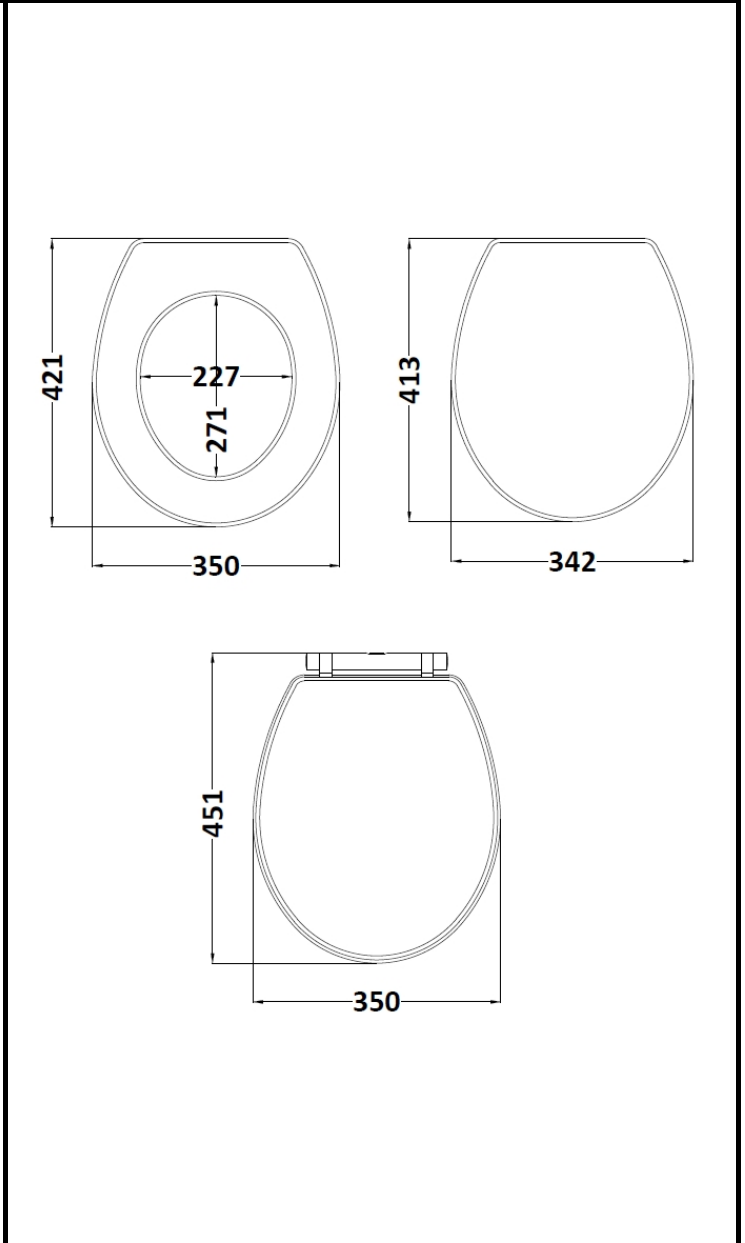


CUSTOMER DATA SHEET - TOILET SEATS

SALES CODE: LOS299

DESCRIPTION: Richmond Toilet Seat



PRODUCT DIMENSIONS

Length (mm)	Width (mm)	Height(mm)	Nett Wgt Kg
451	350	60	3

PACKAGING DATA

Box Colour	Brown Cardboard Box		
Box Qty	1	Label Colour	White Label
Label Size	x	Label Qty	1

PACKAGING DIMENSIONS

Length (mm)	Width (mm)	Height (mm)	Gross Wgt Kg
480	380	60	3

OUTER BOX DIMENSIONS (If Applicable)

Length (mm)	Width (mm)	Height (mm)	Gross Wgt Kg
Barcode	5056211818380		

PRODUCT DETAILS

Country of Origin	United Kingdom
Fitting Instruction	Yes
Product Material	Mdf Vinyl
Seat Type	Round
Hinge Centres (Min)	150
Hinge Centres (Max)	186

CE Certification	Yes
Colour/Finish	Storm Grey
Fixing Method	Top Fix
Seat Function	Soft Close
Hinge Material	Zinc Alloy