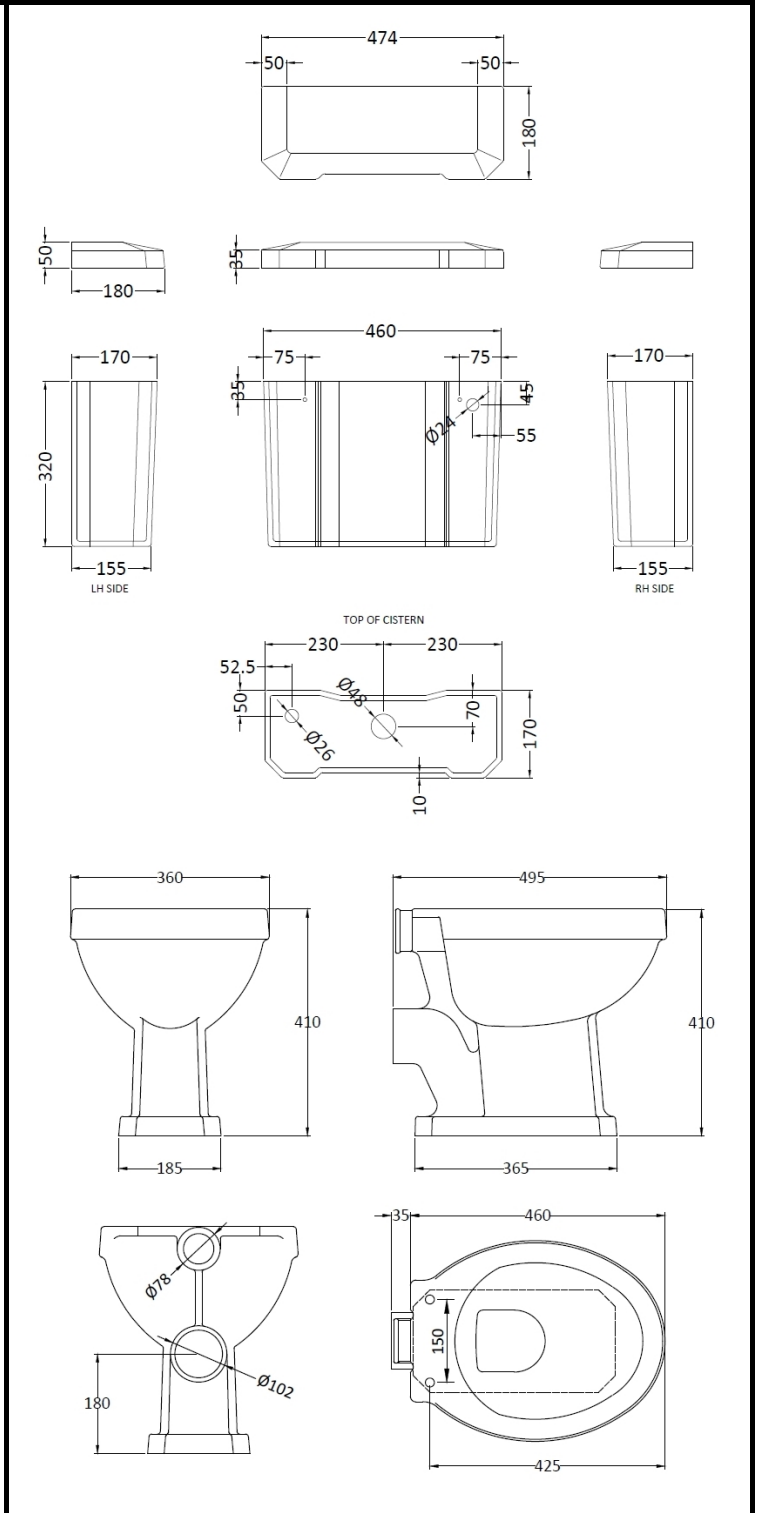


## CUSTOMER DATA SHEET

SALES CODE: Ccr022

DESCRIPTION: Richmond Low Level Wc W/ Flush Pipe Kit



### PACKAGING DETAILS

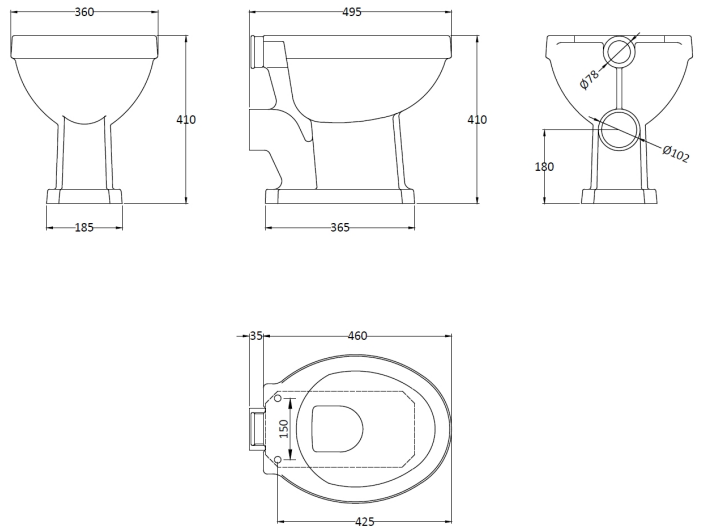
Barcode

5055275895733

## CUSTOMER DATA SHEET - CERAMICS

SALES CODE: NCS870

DESCRIPTION: High/Low Level Pan (Excluding Seat)



### PRODUCT DIMENSIONS

Height (mm)	Width (mm)	Depth (mm)	Nett Wgt Kg
410	360	495	15.61

### PACKAGING DIMENSIONS

Height (mm)	Width (mm)	Depth (mm)	Gross Wgt Kg
395	360	530	16.5

### PACKAGING DATA

Box Colour	Brown Cardboard Box - Printed		
Box Qty	1	Label Colour	Not Applicable
Label Size	100 x 50	Label Qty	0

### OUTER BOX DIMENSIONS (If Applicable)

Height (mm)	Width (mm)	Depth (mm)	Gross Wgt Kg
Barcode		5055369040131	

### PRODUCT DETAILS

Country of Origin	China
Fitting Instruction	No

Certification	CE	N/A	WRAS	N/A	WRAS Number	N/A
Product Material	Vitreous China					

### PANS/BIDETS

Trap Style	P Trap	Includes Seat	No
------------	--------	---------------	----

### CISTERNS

Fittings	Not Applicable	Operating Type	Not Applicable
Lever Type	Not Applicable		

### SEAT

Type	Round	Function	Not Applicable
Material	Not Applicable		
Hinge Type	Top & Bottom Fix	Hinge Material	Not Applicable

### BASINS

Tap Hole	Not Applicable	Chain Stay Hole	Not Applicable
Template	Not Applicable	Waste Type Req'd	Not Applicable
Overflow Incl.	Not Applicable	Overflow Cover	Not Applicable
Inner Bowl Depth	N/A		

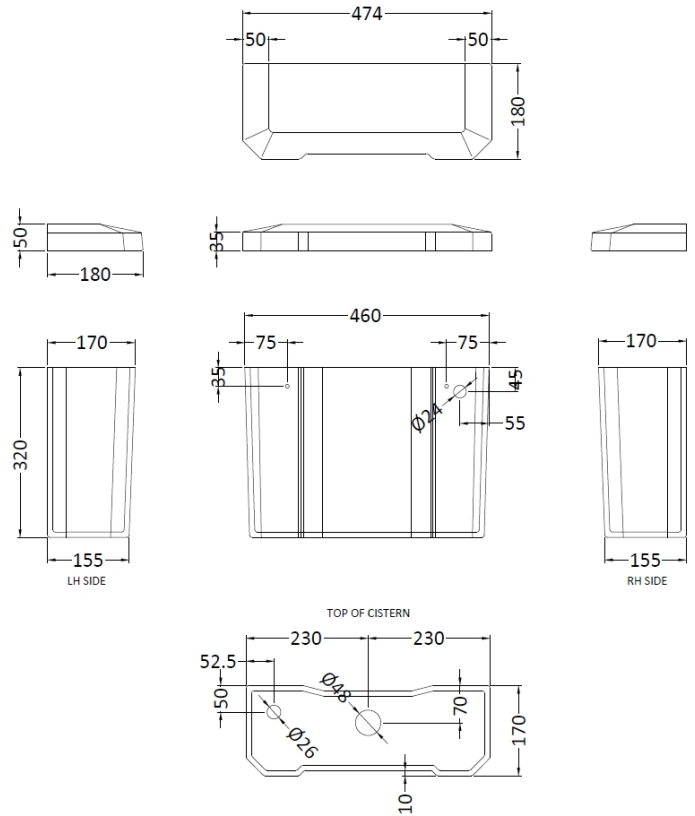
### GENERAL

Fixing Supplied	No
-----------------	----

## CUSTOMER DATA SHEET - CERAMICS

SALES CODE: NCS871B

DESCRIPTION: Low Level Cistern B Ceramic Lever Ftgs



### PRODUCT DIMENSIONS

Height (mm)	Width (mm)	Depth (mm)	Nett Wgt Kg
370	474	180	14.5

### PACKAGING DIMENSIONS

Height (mm)	Width (mm)	Depth (mm)	Gross Wgt Kg
370	210	520	16.5

### PACKAGING DATA

Box Colour	Brown Cardboard Box - Printed		
Box Qty	1	Label Colour	Not Applicable
Label Size	x	Label Qty	0

### OUTER BOX DIMENSIONS (If Applicable)

Height (mm)	Width (mm)	Depth (mm)	Gross Wgt Kg
Barcode	5055369040155		

### PRODUCT DETAILS

Country of Origin	China
Fitting Instruction	No

Certification	CE	N/A	WRAS	Yes	WRAS Number	N/A
Product Material	Vitreous China					

### PANS/BIDETS

Trap Style	Not Applicable	Includes Seat	Not Applicable
------------	----------------	---------------	----------------

### CISTERNS

Fittings	Loose Single 6L	Operating Type	Lever
Lever Type	Ceramic / Chrome Plated		

### SEAT

Type	Not Applicable	Function	Not Applicable
Material	Not Applicable		
Hinge Type	Not Applicable	Hinge Material	Not Applicable

### BASINS

Tap Hole	Not Applicable	Chain Stay Hole	Not Applicable
Template	Not Applicable	Waste Type Req'd	Not Applicable
Overflow Incl.	Not Applicable	Overflow Cover	Not Applicable
Inner Bowl Depth	N/A		

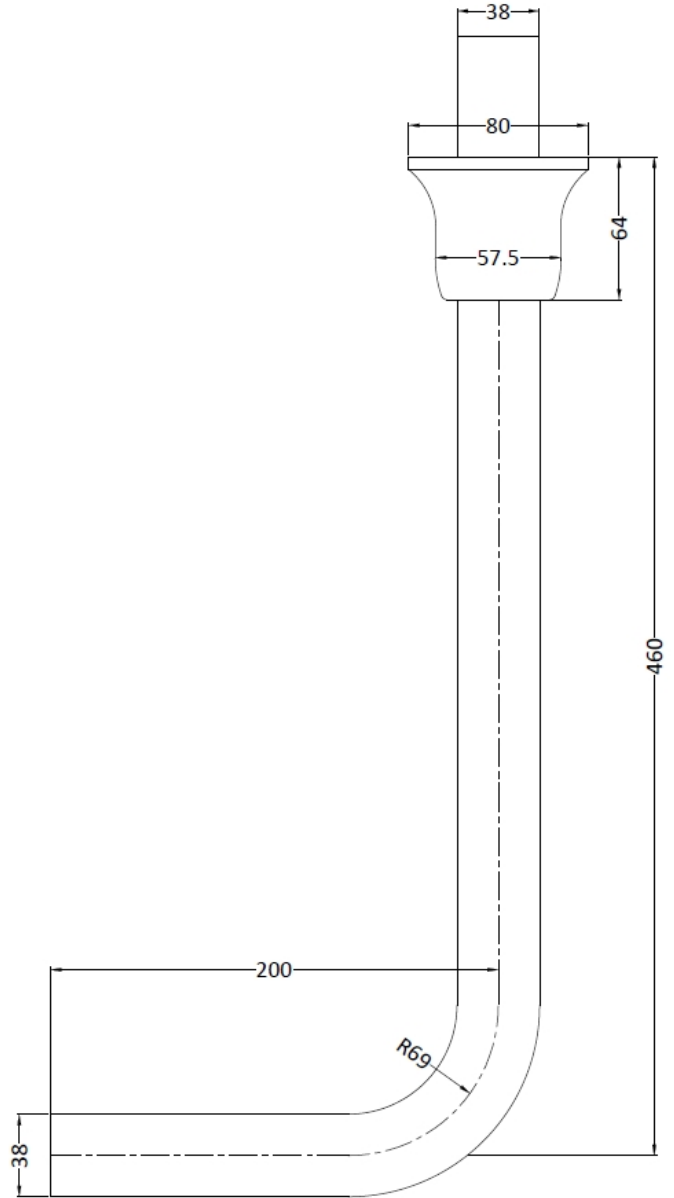
### GENERAL

Fixing Supplied	No
-----------------	----

## CUSTOMER DATA SHEET - WASTES & EXTRAS

SALES CODE: FA302

DESCRIPTION: Low Level Flush Pipe Pack



### PRODUCT DIMENSIONS

Height (mm)	Width (mm)	Length (mm)	Depth (mm)	Nett Wgt Kg
480	81		220	0.78

### PACKAGING DIMENSIONS

Height (mm)	Width (mm)	Depth (mm)	Gross Wgt Kg
	200	75	0.8

### PACKAGING DATA

Box Colour	White Cardboard Box		
Box Qty	1	Label Colour	White Label
Label Size	100 x 50	Label Qty	2

### OUTER BOX DIMENSIONS (If Applicable)

Height (mm)	Width (mm)	Length (mm)	Depth (mm)	Gross Wgt Kg
Barcode	5055146107613			

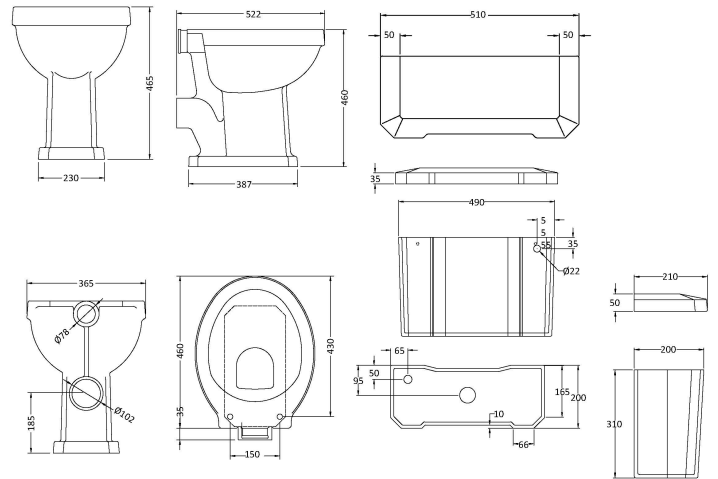
### PRODUCT DETAILS

Country of Origin	China	CE Certification	N/A
Fitting Instruction	No	Colour/Finish	Chrome
Product Material	Brass	Product Diameter	38mm
Heating Element Wattage	Not Applicable	Connection Size	1 1/2"

## CUSTOMER DATA SHEET

SALES CODE: Ccr034

DESCRIPTION: Comfort Low Level Wc & Flush Pipe



### PACKAGING DETAILS

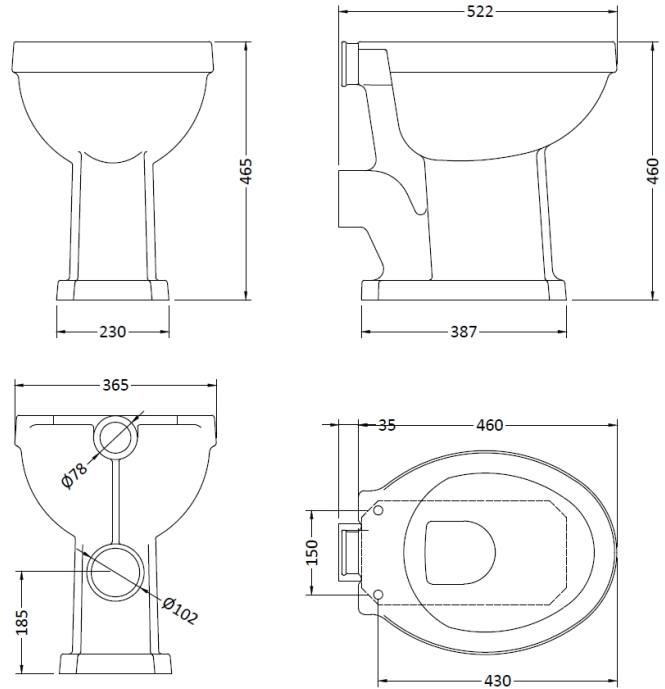
Barcode

5056211818625

## CUSTOMER DATA SHEET - CERAMICS

SALES CODE: NCS860

DESCRIPTION: Comfort Height High/Low Pan Exc Seat



### PRODUCT DIMENSIONS

Height (mm)	Width (mm)	Depth (mm)	Nett Wgt Kg
466	370	515	19

### PACKAGING DIMENSIONS

Height (mm)	Width (mm)	Depth (mm)	Gross Wgt Kg
500	380	515	19.6

### PACKAGING DATA

Box Colour		Label Colour	
Box Qty		Label Qty	
Label Size	x	Label Qty	

### OUTER BOX DIMENSIONS (If Applicable)

Height (mm)	Width (mm)	Depth (mm)	Gross Wgt Kg
Barcode		5055275895573	

### PRODUCT DETAILS

Country of Origin	China
Fitting Instruction	No

Certification	CE	WRAS	N/A	WRAS Number	N/A
Product Material	Vitreous China				

### PANS/BIDETS

Trap Style	P Trap	Includes Seat	No
------------	--------	---------------	----

### CISTERNS

Fittings	Not Applicable	Operating Type	Not Applicable
Lever Type	Not Applicable		

### SEAT

Type	Round	Function	Not Applicable
Material	Not Applicable		
Hinge Type	Not Applicable	Hinge Material	Not Applicable

### BASINS

Tap Hole	Not Applicable	Chain Stay Hole	Not Applicable
Template	Not Applicable	Waste Type Req'd	Not Applicable
Overflow Incl.	Not Applicable	Overflow Cover	Not Applicable
Inner Bowl Depth	N/A		

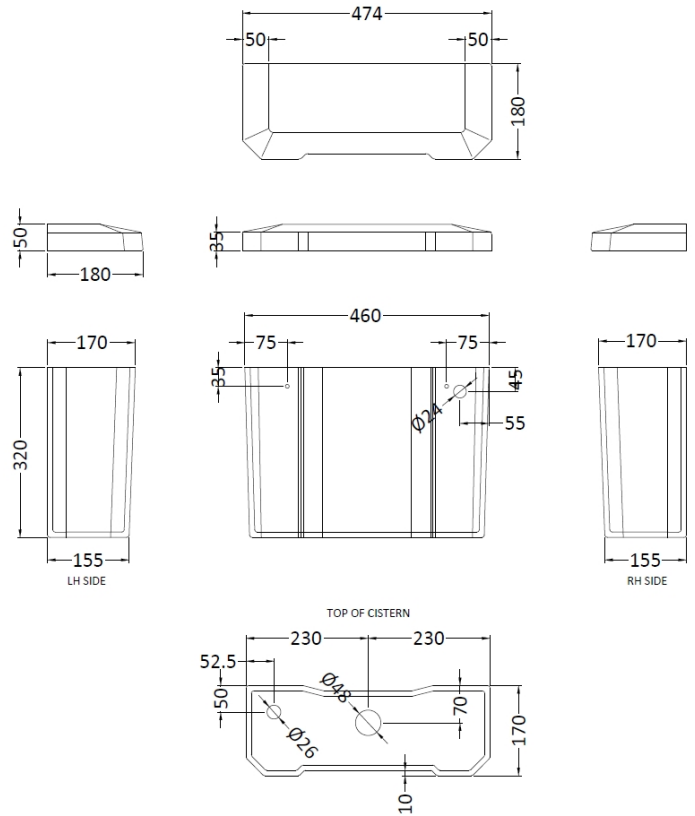
### GENERAL

Fixing Supplied	No
-----------------	----

## CUSTOMER DATA SHEET - CERAMICS

SALES CODE: NCS871B

DESCRIPTION: Low Level Cistern B Ceramic Lever Ftgs



### PRODUCT DIMENSIONS

Height (mm)	Width (mm)	Depth (mm)	Nett Wgt Kg
370	474	180	14.5

### PACKAGING DIMENSIONS

Height (mm)	Width (mm)	Depth (mm)	Gross Wgt Kg
370	210	520	16.5

### PACKAGING DATA

Box Colour	Brown Cardboard Box - Printed		
Box Qty	1	Label Colour	Not Applicable
Label Size	x	Label Qty	0

### OUTER BOX DIMENSIONS (If Applicable)

Height (mm)	Width (mm)	Depth (mm)	Gross Wgt Kg
Barcode	5055369040155		

### PRODUCT DETAILS

Country of Origin	China
Fitting Instruction	No

Certification	CE	N/A	WRAS	Yes	WRAS Number	N/A
Product Material	Vitreous China					

### PANS/BIDETS

Trap Style	Not Applicable	Includes Seat	Not Applicable
------------	----------------	---------------	----------------

### CISTERNS

Fittings	Loose Single 6L	Operating Type	Lever
Lever Type	Ceramic / Chrome Plated		

### SEAT

Type	Not Applicable	Function	Not Applicable
Material	Not Applicable		
Hinge Type	Not Applicable	Hinge Material	Not Applicable

### BASINS

Tap Hole	Not Applicable	Chain Stay Hole	Not Applicable
Template	Not Applicable	Waste Type Req'd	Not Applicable
Overflow Incl.	Not Applicable	Overflow Cover	Not Applicable
Inner Bowl Depth	N/A		

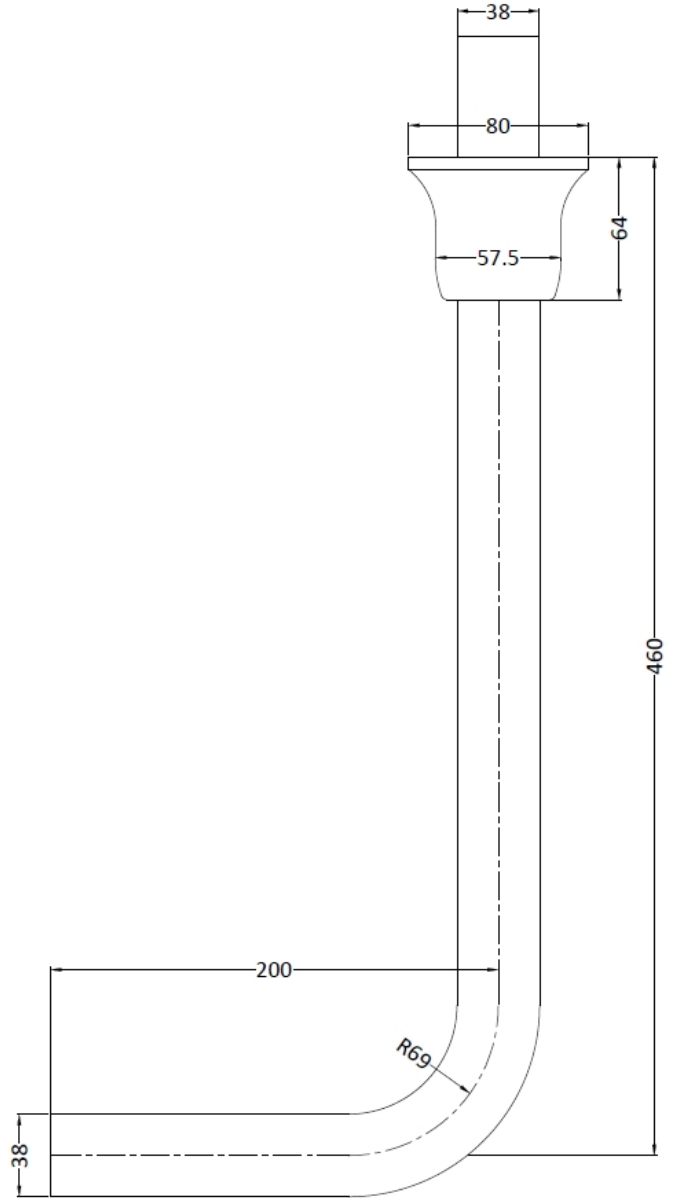
### GENERAL

Fixing Supplied	No
-----------------	----

## CUSTOMER DATA SHEET - WASTES & EXTRAS

SALES CODE: FA302

DESCRIPTION: Low Level Flush Pipe Pack



### PRODUCT DIMENSIONS

Height (mm)	Width (mm)	Length (mm)	Depth (mm)	Nett Wgt Kg
480	81		220	0.78

### PACKAGING DIMENSIONS

Height (mm)	Width (mm)	Depth (mm)	Gross Wgt Kg
	200	75	0.8

### PACKAGING DATA

Box Colour	White Cardboard Box		
Box Qty	1	Label Colour	White Label
Label Size	100 x 50	Label Qty	2

### OUTER BOX DIMENSIONS (If Applicable)

Height (mm)	Width (mm)	Length (mm)	Depth (mm)	Gross Wgt Kg
Barcode	5055146107613			

### PRODUCT DETAILS

Country of Origin	China	CE Certification	N/A
Fitting Instruction	No	Colour/Finish	Chrome
Product Material	Brass	Product Diameter	38mm
Heating Element Wattage	Not Applicable	Connection Size	1 1/2"