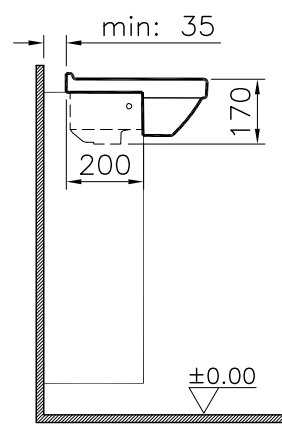
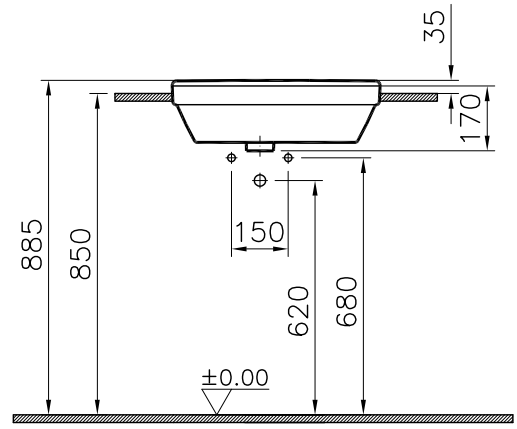
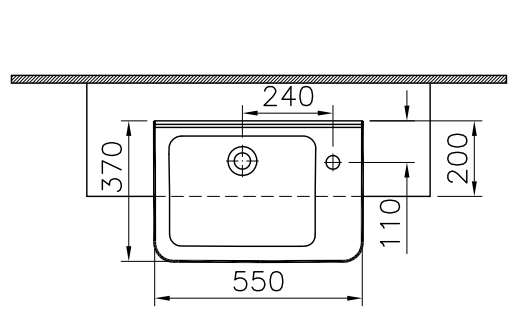


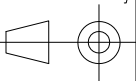
Theoretic Mass(kg)		Revision	
Surface Area(dm <sup>2</sup> )		<b>A4</b>	

Thread	Hole	Shaft



1	1	Semi-recessed basin 55 cm	5340-0001	Ceramic	
item	Quantity	Part Name	Drawing No	Material	Material Class
		Series	Material	Ceramic	Material Class
		S50 Compact	Semi-recessed basin 55 cm		
Drawn By	Controlled By	Approved By	Date	Drawing No	Scale
G.GULTER	O.KONEZ	B.TOPÇU	05.07.2010	5340	1/20

R.S	Description	Date	NAME



This drawing can only be used for the intended purposes. Unauthorized copying is strictly prohibited.

**VitrA®** | ART<sup>EM</sup>A