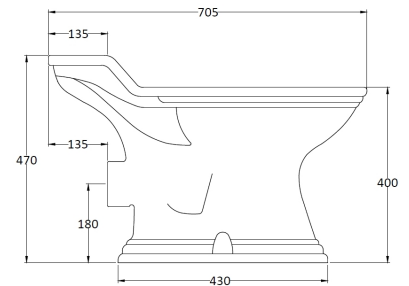
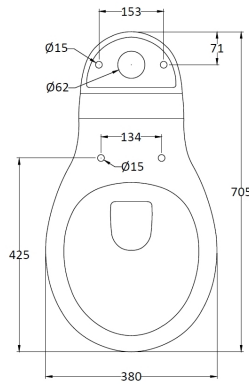
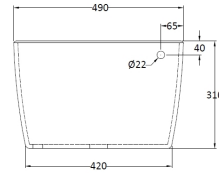
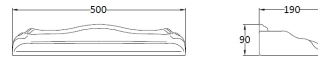


CUSTOMER DATA SHEET

SALES CODE: Crt004

DESCRIPTION: Ryther Close Coupled Wc



PACKAGING DETAILS

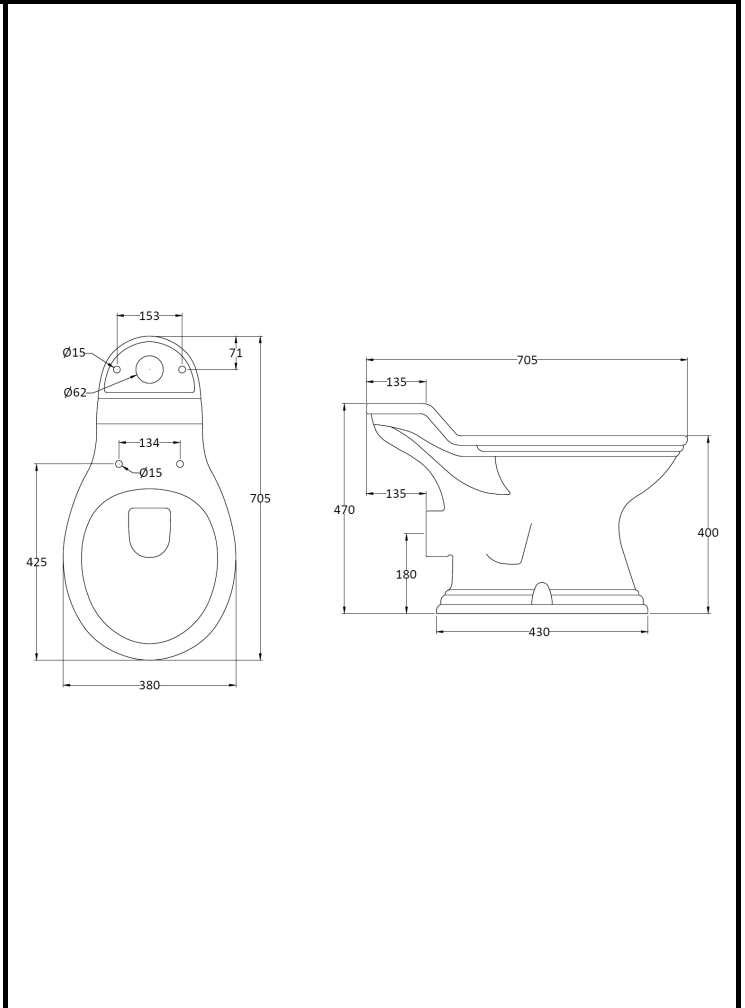
Barcode

5055275866900

CUSTOMER DATA SHEET - CERAMICS

SALES CODE: NCA100

DESCRIPTION: Toilet Pan C/C (Excluding Seat)



PRODUCT DIMENSIONS

Height (mm)	Width (mm)	Depth (mm)	Nett Wgt Kg
395	515	205	20

PACKAGING DIMENSIONS

Height (mm)	Width (mm)	Depth (mm)	Gross Wgt Kg
390	715	470	21.2

PACKAGING DATA

Box Colour	Brown Cardboard Box		
Box Qty	1	Label Colour	White Label
Label Size	100 x 50	Label Qty	2

OUTER BOX DIMENSIONS (If Applicable)

Height (mm)	Width (mm)	Depth (mm)	Gross Wgt Kg
Barcode		5055369026128	

PRODUCT DETAILS

Country of Origin	China
Fitting Instruction	No

Certification	CE	N/A	WRAS	N/A	WRAS Number	N/A
Product Material	Vitreous China					

PANS/BIDETS

Trap Style	P Trap	Includes Seat	No
------------	--------	---------------	----

CISTERNS

Fittings	None Included	Operating Type	Not Applicable
Lever Type	Not Applicable		

SEAT

Type	Not Applicable	Function	Not Included
Material	Not Applicable		
Hinge Type	Top & Bottom Fix	Hinge Material	Not Applicable

BASINS

Tap Hole	Not Applicable	Chain Stay Hole	No
Template	Not Required	Waste Type Req'd	Not Applicable
Overflow Incl.		Overflow Cover	No
Inner Bowl Depth	350mm		

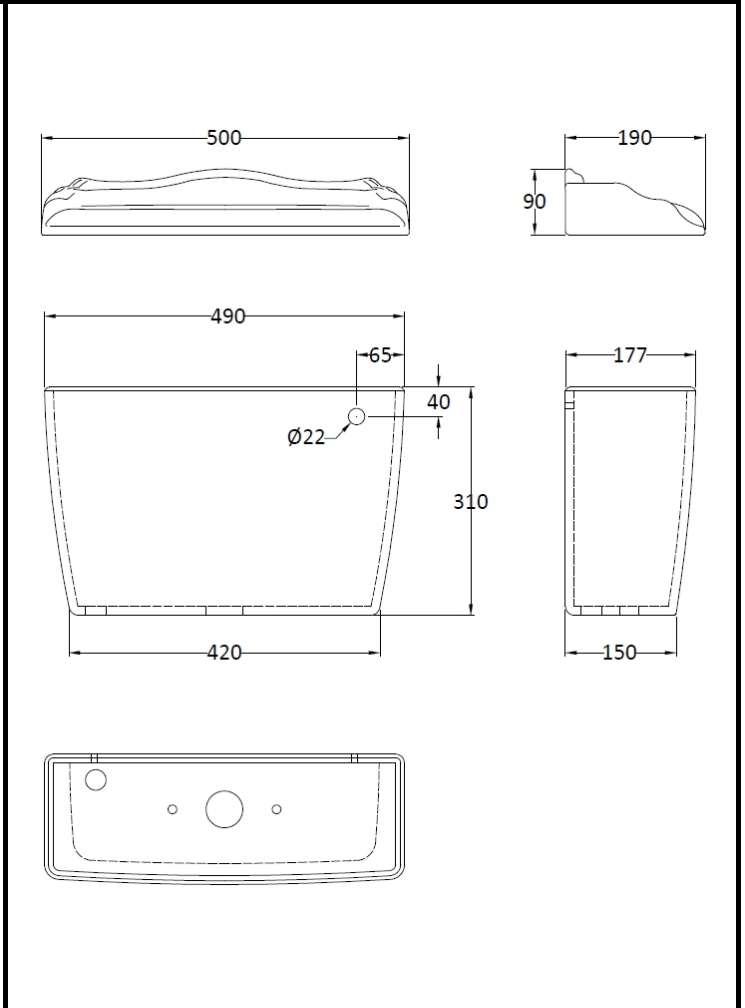
GENERAL

Fixing Supplied	No
-----------------	----

CUSTOMER DATA SHEET - CERAMICS

SALES CODE: NCA101

DESCRIPTION: Toilet Cistern Chrome Lever & Fttg



PRODUCT DIMENSIONS

Height (mm)	Width (mm)	Depth (mm)	Nett Wgt Kg
470	380	40	14.9

PACKAGING DIMENSIONS

Height (mm)	Width (mm)	Depth (mm)	Gross Wgt Kg
220	510	370	16.6

PACKAGING DATA

Box Colour	Brown Cardboard Box - Printed		
Box Qty	1	Label Colour	Not Applicable
Label Size	100 x 50	Label Qty	0

OUTER BOX DIMENSIONS (If Applicable)

Height (mm)	Width (mm)	Depth (mm)	Gross Wgt Kg
Barcode		5055369026135	

PRODUCT DETAILS

Country of Origin	China
Fitting Instruction	No

Certification	CE	N/A	WRAS	N/A	WRAS Number	N/A
Product Material	Vitreous China					

PANS/BIDETS

Trap Style	Not Applicable	Includes Seat	Not Applicable
------------	----------------	---------------	----------------

CISTERNS

Fittings	Loose Single 6L	Operating Type	Lever
Lever Type	Ceramic / Chrome Plated		

SEAT

Type	Not Applicable	Function	Not Applicable
Material	Not Applicable		
Hinge Type	Not Applicable	Hinge Material	Not Applicable

BASINS

Tap Hole	Not Applicable	Chain Stay Hole	Not Applicable
Template	Not Applicable	Waste Type Req'd	Not Applicable
Overflow Incl.	Not Applicable	Overflow Cover	Not Applicable
Inner Bowl Depth	N/A		

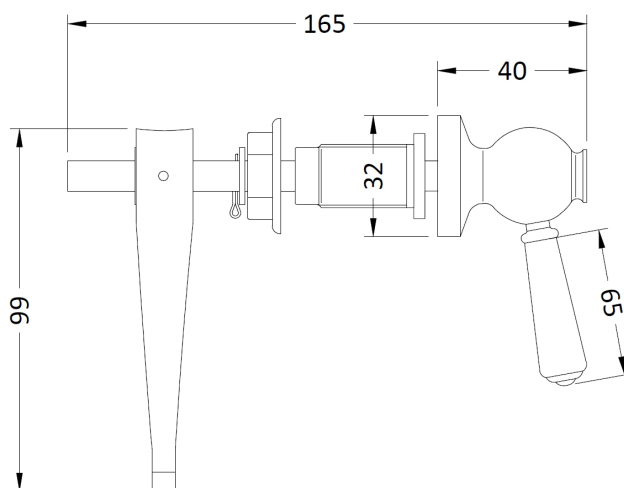
GENERAL

Fixing Supplied	No
-----------------	----

CUSTOMER DATA SHEET - WASTES & EXTRAS

SALES CODE: E370

DESCRIPTION: Ceramic Handle Wc Lever



PRODUCT DIMENSIONS

Height (mm)	Width (mm)	Length (mm)	Depth (mm)	Nett Wgt Kg
165	32		99	0.2

PACKAGING DIMENSIONS

Height (mm)	Width (mm)	Depth (mm)	Gross Wgt Kg
	110	30	0.25

PACKAGING DATA

Box Colour	White Cardboard Box		
Box Qty	1	Label Colour	White Label
Label Size	100 x 50	Label Qty	2

OUTER BOX DIMENSIONS (If Applicable)

Height (mm)	Width (mm)	Length (mm)	Depth (mm)	Gross Wgt Kg
Barcode	5055146104766			

PRODUCT DETAILS

Country of Origin	China	CE Certification	N/A
Fitting Instruction	No	Colour/Finish	Chrome / White
Product Material	Brass; Ceramic	Product Diameter	32mm
Heating Element Wattage	Not Applicable	Connection Size	Not Applicable