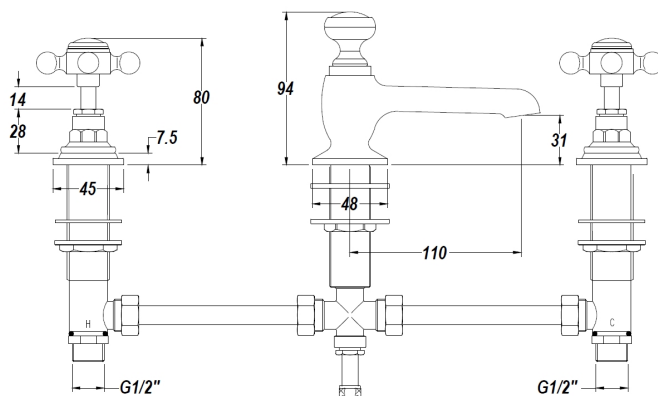


CUSTOMER DATA SHEET - BRASSWARE

SALES CODE: BC307HX

DESCRIPTION: Topaz 3 T/H Basin Mixer W/ Pop-Up Waste



PRODUCT DIMENSIONS

Height (mm)	Width (mm)	Depth (mm)	Length (mm)	Nett Wgt Kg
94	246	140		2.8

PACKAGING DATA

Box Colour	White Cardboard Box		
Box Qty	1	Label Colour	White Label
Label Size	100 x 50	Label Qty	1

PACKAGING DIMENSIONS

Height (mm)	Width (mm)	Depth (mm)	Gross Wgt Kg
75	150	430	3

OUTER BOX DIMENSIONS (If Applicable)

Height (mm)	Width (mm)	Depth (mm)	Length (mm)	Gross Wgt Kg
370	350	405		25
Barcode	5055275830703			

PRODUCT DETAILS

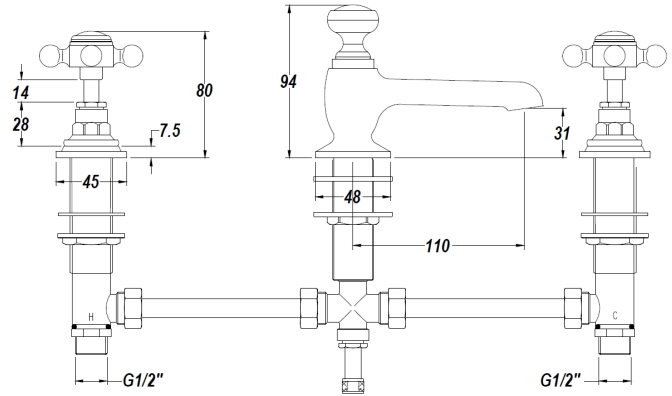
Country of Origin	United Kingdom		
Fitting Instruction	Yes		
Product Material	Brass		
Control Type	Manual		
Waste Included	Waste Included		
WRAS Approval	No	Approval No.	N/A
Operating Pressure (bar)	0.1		
Valve/Cartridge Type	1/4 Turn Ceramic Disc		

Colour/Finish	Chrome									
Mount Type	Deck									
Waste Type	Pop-Up									
Flow Rates (Litres Per Min)	0.1 bar	5.6	0.5 bar	14	1 bar	20.2	2 bar	29	3 bar	35.4
Pipe Size	15 mm (1/2" Bsp)									
Pipe Centres	N/A									

CUSTOMER DATA SHEET - BRASSWARE

SALES CODE: BC407HX

DESCRIPTION: Topaz Blk 3 T/H Basin Mix W/ Pop-Up W/E



PRODUCT DIMENSIONS

Height (mm)	Width (mm)	Depth (mm)	Length (mm)	Nett Wgt Kg
94	246	140		2.8

PACKAGING DIMENSIONS

Height (mm)	Width (mm)	Depth (mm)	Gross Wgt Kg
75	150	430	3

PACKAGING DATA

Box Colour	White Cardboard Box		
Box Qty	1	Label Colour	White Label
Label Size	100 x 50	Label Qty	1

OUTER BOX DIMENSIONS (If Applicable)

Height (mm)	Width (mm)	Depth (mm)	Length (mm)	Gross Wgt Kg
370	350	405		24
Barcode	5055275868065			

PRODUCT DETAILS

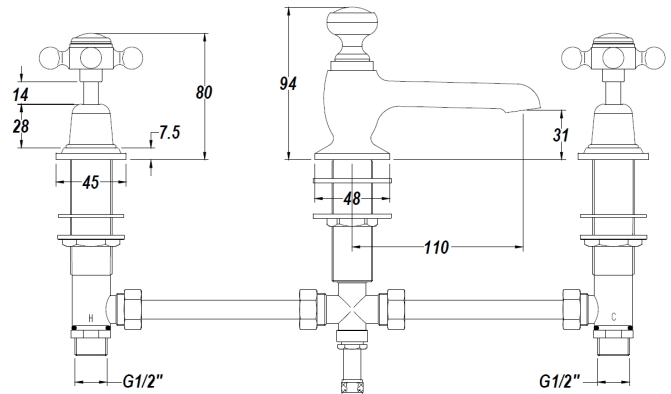
Country of Origin	United Kingdom		
Fitting Instruction	Yes		
Product Material	Brass		
Control Type	Manual		
Waste Included	Waste Included		
WRAS Approval	No	Approval No.	N/A
Operating Pressure (bar)	0.1		
Valve/Cartridge Type	1/4 Turn Ceramic Disc		

Colour/Finish	Chrome									
Mount Type	Deck									
Waste Type	Pop-Up									
Flow Rates (Litres Per Min)	0.1 bar	5.6	0.5 bar	14	1 bar	20.2	2 bar	29	3 bar	35.4
Pipe Size	15 mm (1/2" Bsp)									
Pipe Centres	N/A									

CUSTOMER DATA SHEET - BRASSWARE

SALES CODE: BC307DX

DESCRIPTION: Topaz 3 T/H Basin Mixer W/ Pop-Up Waste



PRODUCT DIMENSIONS

Height (mm)	Width (mm)	Depth (mm)	Length (mm)	Nett Wgt Kg
94	246	140		2.8

PACKAGING DATA

Box Colour	White Cardboard Box		
Box Qty	1	Label Colour	White Label
Label Size	100 x 50	Label Qty	1

PACKAGING DIMENSIONS

Height (mm)	Width (mm)	Depth (mm)	Gross Wgt Kg
75	150	430	3

OUTER BOX DIMENSIONS (If Applicable)

Height (mm)	Width (mm)	Depth (mm)	Length (mm)	Gross Wgt Kg
370	350	405		25
Barcode	5055275830765			

PRODUCT DETAILS

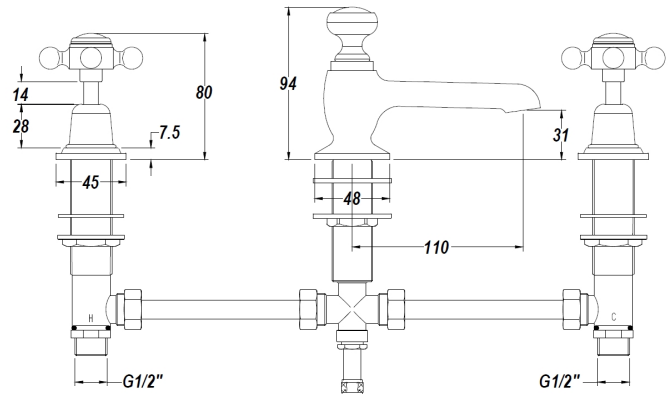
Country of Origin			
Fitting Instruction	Yes		
Product Material	Brass		
Control Type	Manual		
Waste Included	Waste Included		
WRAS Approval	No	Approval No.	N/A
Operating Pressure (bar)	0.1		
Valve/Cartridge Type	1/4 Turn Ceramic Disc		

Colour/Finish	Chrome									
Mount Type	Deck									
Waste Type	Pop-Up									
Flow Rates (Litres Per Min)	0.1 bar	5.6	0.5 bar	14	1 bar	20.2	2 bar	29	3 bar	35.4
Pipe Size	15 mm (1/2" Bsp)									
Pipe Centres	N/A									

CUSTOMER DATA SHEET - BRASSWARE

SALES CODE: BC407DX

DESCRIPTION: Topaz Blk 3 T/H Basin Mixer W/ Popup Wst



PRODUCT DIMENSIONS

Height (mm)	Width (mm)	Depth (mm)	Length (mm)	Nett Wgt Kg
94	246	140		2.95

PACKAGING DIMENSIONS

Height (mm)	Width (mm)	Depth (mm)	Gross Wgt Kg
75	150	430	2.95

PACKAGING DATA

Box Colour	White Cardboard Box		
Box Qty	1	Label Colour	White Label
Label Size	100 x 50	Label Qty	1

OUTER BOX DIMENSIONS (If Applicable)

Height (mm)	Width (mm)	Depth (mm)	Length (mm)	Gross Wgt Kg
370	350	405		
Barcode	5055275871423			

PRODUCT DETAILS

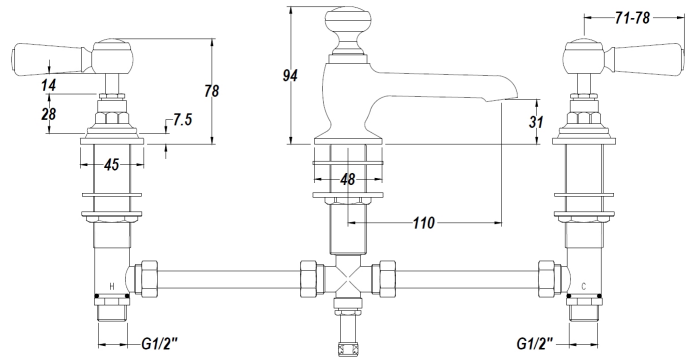
Country of Origin	United Kingdom		
Fitting Instruction	Yes		
Product Material	Brass		
Control Type	Manual		
Waste Included	Waste Included		
WRAS Approval	No	Approval No.	N/A
Operating Pressure (bar)	0.1		
Valve/Cartridge Type	1/4 Turn Ceramic Disc		

Colour/Finish	Chrome									
Mount Type	Deck									
Waste Type	Pop-Up									
Flow Rates (Litres Per Min)	0.1 bar	5.6	0.5 bar	14	1 bar	20.2	2 bar	29	3 bar	35.4
Pipe Size	15 mm (1/2" Bsp)									
Pipe Centres	N/A									

CUSTOMER DATA SHEET - BRASSWARE

SALES CODE: BC307HL

DESCRIPTION: Topaz Lever 3Th Basin Mixer



PRODUCT DIMENSIONS

Height (mm)	Width (mm)	Depth (mm)	Length (mm)	Nett Wgt Kg
94	246	140		2.8

PACKAGING DATA

Box Colour	White Cardboard Box		
Box Qty	1	Label Colour	White Label
Label Size	100 x 50	Label Qty	1

PACKAGING DIMENSIONS

Height (mm)	Width (mm)	Depth (mm)	Gross Wgt Kg
75	150	430	3

OUTER BOX DIMENSIONS (If Applicable)

Height (mm)	Width (mm)	Depth (mm)	Length (mm)	Gross Wgt Kg
495	555	290		25
Barcode	5055275871485			

PRODUCT DETAILS

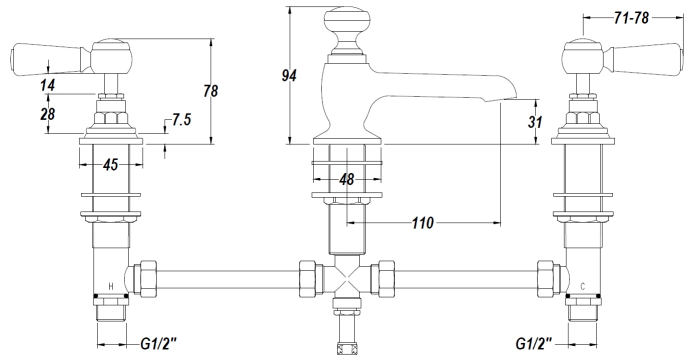
Country of Origin	United Kingdom		
Fitting Instruction	Yes		
Product Material	Brass		
Control Type	Manual		
Waste Included	Waste Included		
WRAS Approval	No	Approval No.	N/A
Operating Pressure (bar)	0.1		
Valve/Cartridge Type	1/4 Turn Ceramic Disc		

Colour/Finish	Chrome									
Mount Type	Deck									
Waste Type	Pop-Up									
Flow Rates (Litres Per Min)	0.1 bar	5.6	0.5 bar	14	1 bar	20.2	2 bar	29	3 bar	35.4
Pipe Size	15 mm (1/2" Bsp)									
Pipe Centres	N/A									

CUSTOMER DATA SHEET - BRASSWARE

SALES CODE: BC407HL

DESCRIPTION: Topaz Black Hex Lever 3Th Basin Mixer



PRODUCT DIMENSIONS

Height (mm)	Width (mm)	Depth (mm)	Length (mm)	Nett Wgt Kg
94	246	140		2.8

PACKAGING DIMENSIONS

Height (mm)	Width (mm)	Depth (mm)	Gross Wgt Kg
75	150	430	3

PACKAGING DATA

Box Colour	White Cardboard Box		
Box Qty	1	Label Colour	White Label
Label Size	100 x 50	Label Qty	1

OUTER BOX DIMENSIONS (If Applicable)

Height (mm)	Width (mm)	Depth (mm)	Length (mm)	Gross Wgt Kg
495	555	290		
Barcode	5055275871546			

PRODUCT DETAILS

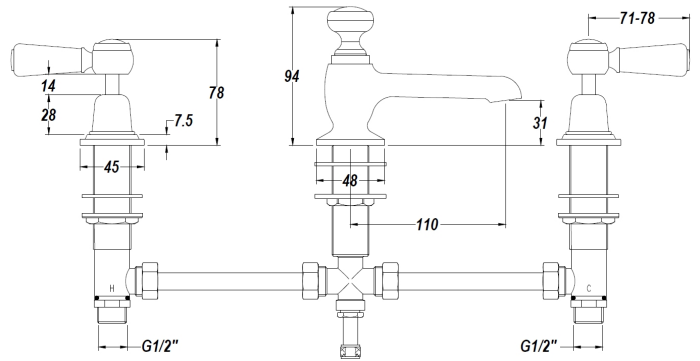
Country of Origin	United Kingdom		
Fitting Instruction	Yes		
Product Material	Brass		
Control Type	Manual		
Waste Included	Waste Included		
WRAS Approval	No	Approval No.	N/A
Operating Pressure (bar)	0.1		
Valve/Cartridge Type	1/4 Turn Ceramic Disc		

Colour/Finish	Chrome									
Mount Type	Deck									
Waste Type	Pop-Up									
Flow Rates (Litres Per Min)	0.1 bar	5.6	0.5 bar	14	1 bar	20.2	2 bar	29	3 bar	35.4
Pipe Size	15 mm (1/2" Bsp)									
Pipe Centres	N/A									

CUSTOMER DATA SHEET - BRASSWARE

SALES CODE: BC307DL

DESCRIPTION: Topaz Lever 3Th Basin Mixer



PRODUCT DIMENSIONS

Height (mm)	Width (mm)	Depth (mm)	Length (mm)	Nett Wgt Kg
94	246	140		2.8

PACKAGING DIMENSIONS

Height (mm)	Width (mm)	Depth (mm)	Gross Wgt Kg
75	150	430	3

PACKAGING DATA

Box Colour	White Cardboard Box		
Box Qty	1	Label Colour	White Label
Label Size	100 x 50	Label Qty	1

OUTER BOX DIMENSIONS (If Applicable)

Height (mm)	Width (mm)	Depth (mm)	Length (mm)	Gross Wgt Kg
495	555	290		25
Barcode	5055275830826			

PRODUCT DETAILS

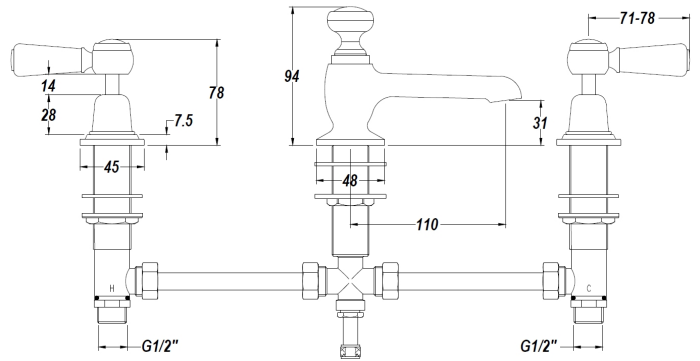
Country of Origin			
Fitting Instruction	Yes		
Product Material	Brass		
Control Type	Manual		
Waste Included	Waste Included		
WRAS Approval	No	Approval No.	N/A
Operating Pressure (bar)	0.1		
Valve/Cartridge Type	1/4 Turn Ceramic Disc		

Colour/Finish	Chrome									
Mount Type	Deck									
Waste Type	Pop-Up									
Flow Rates (Litres Per Min)	0.1 bar	5.6	0.5 bar	14	1 bar	20.2	2 bar	29	3 bar	35.4
Pipe Size	15 mm (1/2" Bsp)									
Pipe Centres	N/A									

CUSTOMER DATA SHEET - BRASSWARE

SALES CODE: BC407DL

DESCRIPTION: Topaz Black Lever 3Th Basin Mixer



PRODUCT DIMENSIONS

Height (mm)	Width (mm)	Depth (mm)	Length (mm)	Nett Wgt Kg
94	246	140		2.8

PACKAGING DIMENSIONS

Height (mm)	Width (mm)	Depth (mm)	Gross Wgt Kg
75	150	430	3

PACKAGING DATA

Box Colour	White Cardboard Box		
Box Qty	1	Label Colour	White Label
Label Size	100 x 50	Label Qty	1

OUTER BOX DIMENSIONS (If Applicable)

Height (mm)	Width (mm)	Depth (mm)	Length (mm)	Gross Wgt Kg
495	555	290		
Barcode	5055275868072			

PRODUCT DETAILS

Country of Origin	United Kingdom		
Fitting Instruction	Yes		
Product Material	Brass		
Control Type	Manual		
Waste Included	Waste Included		
WRAS Approval	No	Approval No.	N/A
Operating Pressure (bar)	0.1		
Valve/Cartridge Type	1/4 Turn Ceramic Disc		

Colour/Finish	Chrome									
Mount Type	Deck									
Waste Type	Pop-Up									
Flow Rates (Litres Per Min)	0.1 bar	5.6	0.5 bar	14	1 bar	20.2	2 bar	29	3 bar	35.4
Pipe Size	15 mm (1/2" Bsp)									
Pipe Centres	N/A									