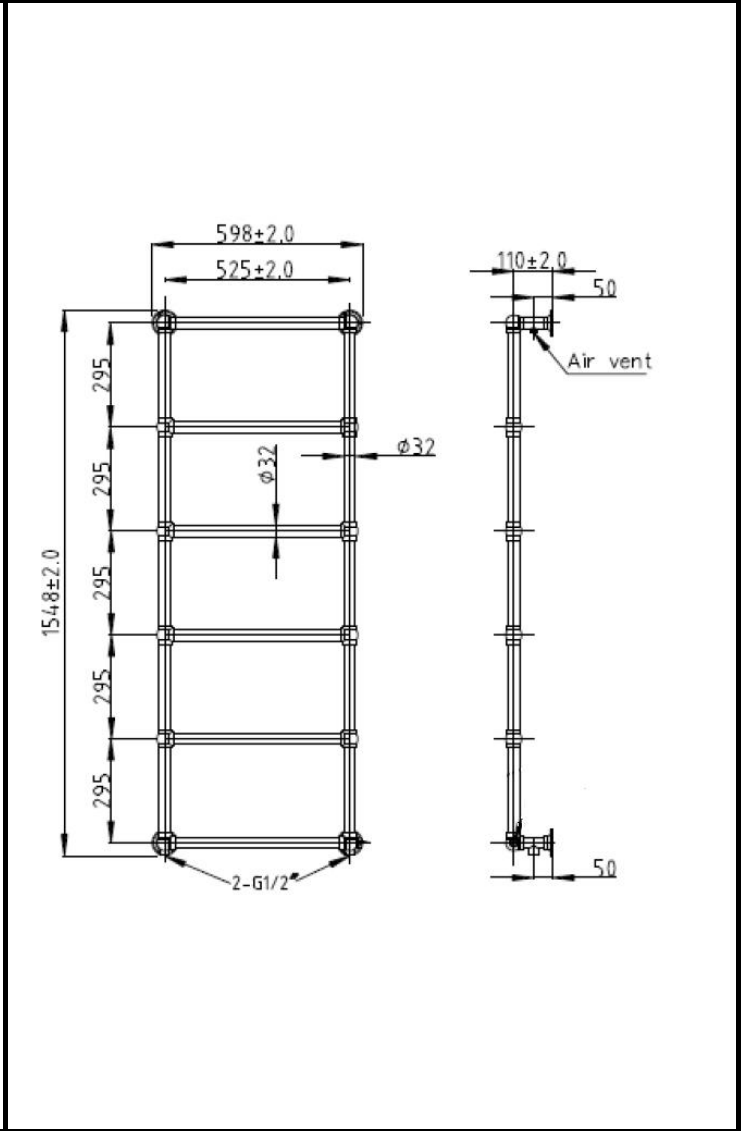


CUSTOMER DATA SHEET - HEATING

SALES CODE: HL354

DESCRIPTION: Countess W/Mtd Towel Rail 1550X600x130



PRODUCT DIMENSIONS

Height (mm)	Width (mm)	Depth (mm)	Length (mm)	Nett Wgt Kg
1548	598	110		9.07

PACKAGING DIMENSIONS

Height (mm)	Width (mm)	Length (mm)	Gross Wgt Kg
150	620	1600	10.5

PACKAGING DATA

Box Colour	White Cardboard Shrinkwrapped		
Box Qty	1	Label Colour	White Label
Label Size	100 x 50	Label Qty	2

OUTER BOX DIMENSIONS (If Applicable)

Height (mm)	Width (mm)	Length (mm)	Gross Wgt Kg
Barcode	5055369047963		

PRODUCT DETAILS

Contry of Origin	China					
Fitting Instruction	Yes					
RAL No	N/A					
Heat Element Wattage	Not Applicable					
BTU Outputs	30°C	488	50°C	922	60°C	1168
Pipe Centres	525mm					
Packaging Volume (L)	142					
Wall to Ctr of Tappings	50					
Dual Fuel	N/A					

Certification	CE	Yes	RoHS	N/A	WEEE	N/A
Colour/Finish	Chrome					
Product Material	Steel					
Heat Element Wattage Compatible	N/A					
Thermal Outputs (Watts)	30°C	143	50°C	270	60°C	338
Max Projection	130mm					
Tube Diameter	32mm					
Floor to Ctr of Tappings	N/A					