

Please read these instructions carefully before starting installation and keep in a safe place for future reference

Check the contents of the pack carefully before installation. Responsibility will not be held by Crosswater for any de-fit / re-fit costs where faulty product has been fitted. If any fault is found with materials or workmanship, it must be reported immediately to the manufacturer. Remedial action will be taken, based on information received, on condition that: 1. Full details are supplied to the manufacturer; 2. The product has not been modified or tampered with; 3. The manufacturer is informed of any damage/shortages prior to installation. 4. The product has not been installed, or attempts made to install. We do not accept responsibility for any problems that may occur through incorrect installation. ENSURE the room is well heated and ventilated.

Any modification to the supplied product will negate all product guarantees. Before drilling ensure there are no hidden cables or pipes(water, gas or electrical) behind hanging points. Always wear suitable eye protection when drilling. Ensure the wall surface is able to take the weight of the complete product.

Please use the supplied wall fixing bracket and follow the correct installation method. If the instructions are not followed appropriately there is an increased safety risk to the user. It is important to install electric fittings in the correct bathroom zone i.e. the zone referred to in the IP rating of the element. Reference should be made to the latest edition of the IET Wiring Regulations or a qualified electrician member of NICEIC/IET.

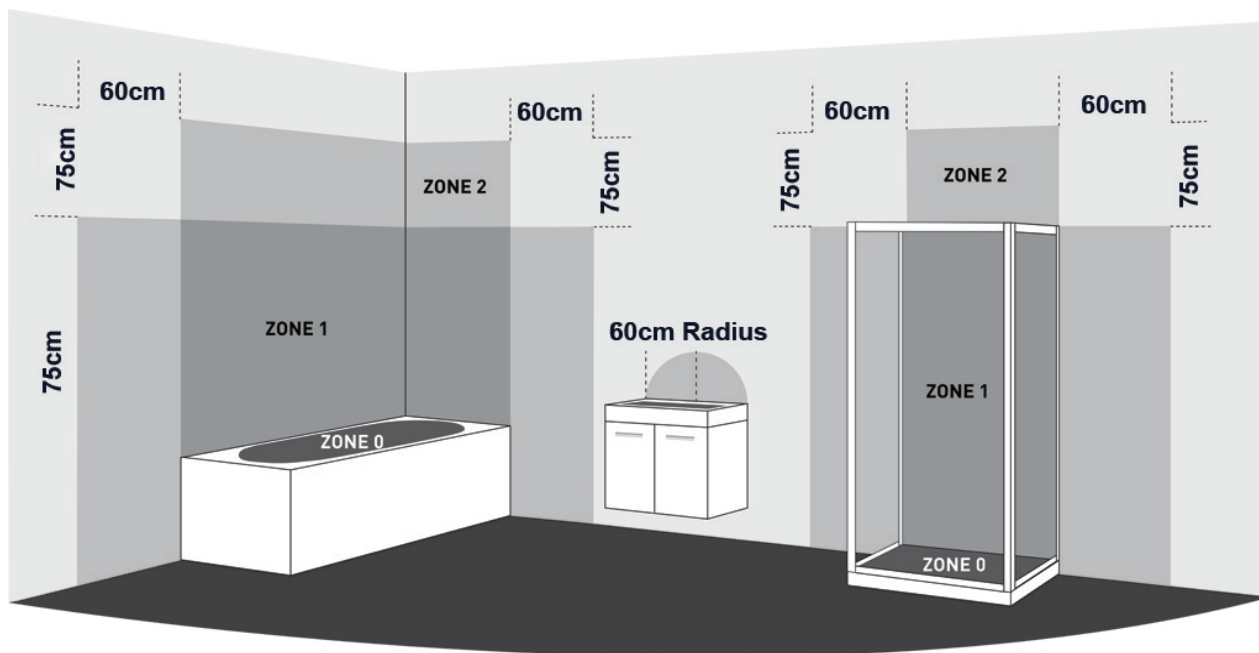
ZONE 0 is inside the bath or shower tray itself. Any appliance used in this zone must be rated at least IP67 which is total immersion proof.

ZONE 1 is the area above the bath or shower tray to a height of 2.25m from the floor. In this zone a minimum rating of IPX4 Splash-proof is required and elements must also be protected by a 30mA residual current device (RCD) to protect the circuit.

The electrical connection to the power supply for these appliances must be in Zones 2/3 of the bathroom in compliance with BS 7671:2008(2011) - IET Wiring Regulations.

ZONE 2 is an area stretching 0.6m outside the perimeter of the bath and to a height of 2.25m from the floor. In this zone an IP rating of at least IP44 is required. In addition it is good practice to consider the area around a washbasin, within a 60cm radius of any tap to be considered as zone 2.

It is recommended that all electrical bathroom products should only be fitted by a suitably qualified, Part P registered electrician in accordance with current IEE regulations. Failure to have electrical products installed and certificated by a qualified electrical engineer will invalidate any product guarantee. For full details reference should be made to the latest copy of the IET wiring regulations and all applicable British Standard and European norm specifications.

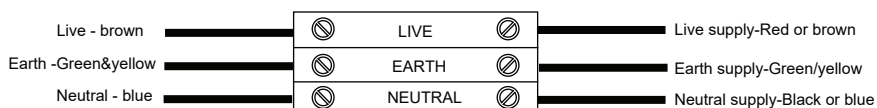


IMPORTANT ADVICE & SAFETY



This product is IP44 rated and suitable for installation with zone 2 and 3 as above. The product complies with electrical safety standards: BS EN 60598-2-1:1989, EN 60598-1:2015, EN 62493:2015

WIRING DIAGRAM

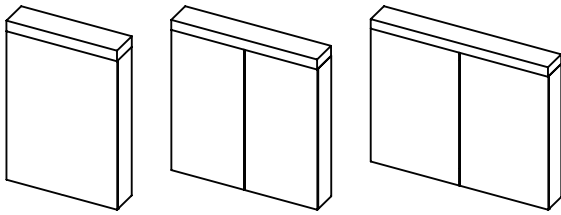


This product is Class I rated and **MUST** be earthed.
Supply 240v/50Hz maximum



INSTALLATION INSTRUCTIONS

It is recommended that walls are fully tiled before cabinet installation, This ensures that the product is installed flat to the tile face and allows product to be easily removed if required in the future. Remove all outer packing and carefully check the product is in perfect condition. The mirror is supplied with a protective film DO NOT remove this until installation is complete.



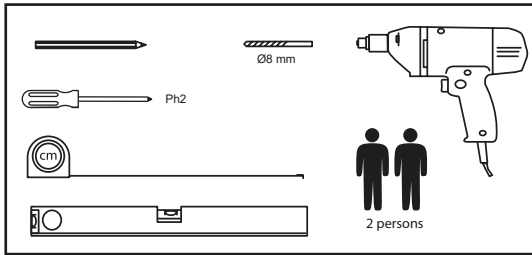
IG5070

IG7070

IG9070

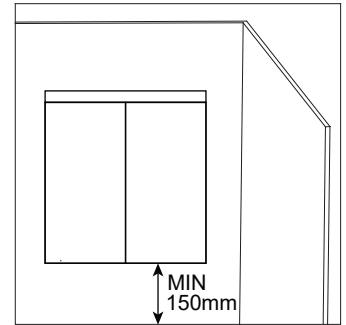
IG5070	3X	7X	7X	2X	8X	12X	1X	2X
IG7070	3X	7X	7X	2X	8X	12X	1X	2X
IG9070	3X	7X	7X	2X	8X	12X	1X	2X

The charging socket is suitable for charging and powering electric razors, trimmers and electric toothbrushes.



IMPORTANT

The product must be installed with a minimum distance of 150mm between the infrared sensor and an adjacent wall surface, countertop or other object to ensure correct function of the sensor.

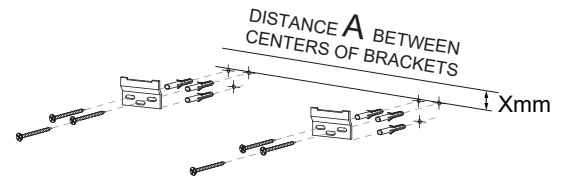
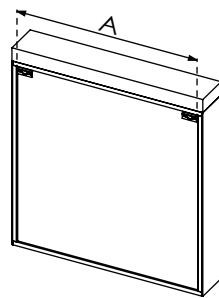


STEP 1

Offer the cabinet up to the desired wall location considering the safety zone requirements. We recommend that the cabinet is hung at least 200mm above any washbasin/countertop. Using spirit level ensure the cabinet is level and upright. Using a soft pencil mark carefully draw a horizontal line on the wall corresponding with the top of the cabinet.

Take note of the electrical supply point(s) for the cabinet, mark this detail on the wall. Place the cabinet in a safe place.

On the wall surface measure down from the pencil line the distance detailed right. Measure the distance A between hanging bracket centres, then mark the drilling points for the hanging brackets as shown below.



- IG5070: A=450MM
- IG7070: A=650MM
- IG9070: A=850MM

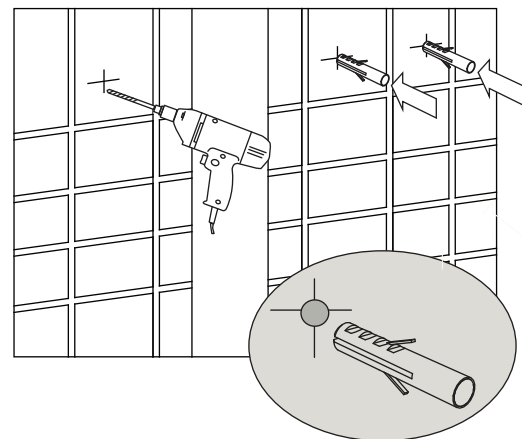
STEP 2

Carefully drill the required holes and insert wall plugs. Note screws and plugs supplied are suitable for solid walls only.

Prepare the power supply, 240V/50HZ maximum.

ENSURE THAT THE MAINS VOLTAGE SUPPLY TO WHICH THE CABINET IS BEING CONNECTED IS ISOLATED

The cabinet is manufactured to Class 1 and requires an earth connection. All electrical work and testing must be completed by a qualified electrical engineer in accordance the latest IET Regulations.

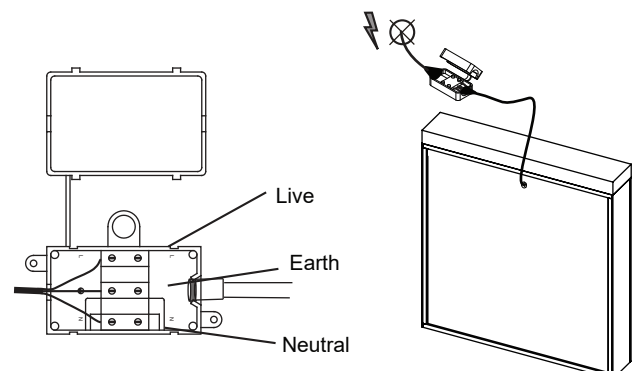


STEP 3

Remove the cover from the electrical connection box. Using a suitable terminal screwdriver make secure connections as follows:

Colour Coding:
L - Live = Brown
N - Neutral = Blue
Earth = Green & Yellow

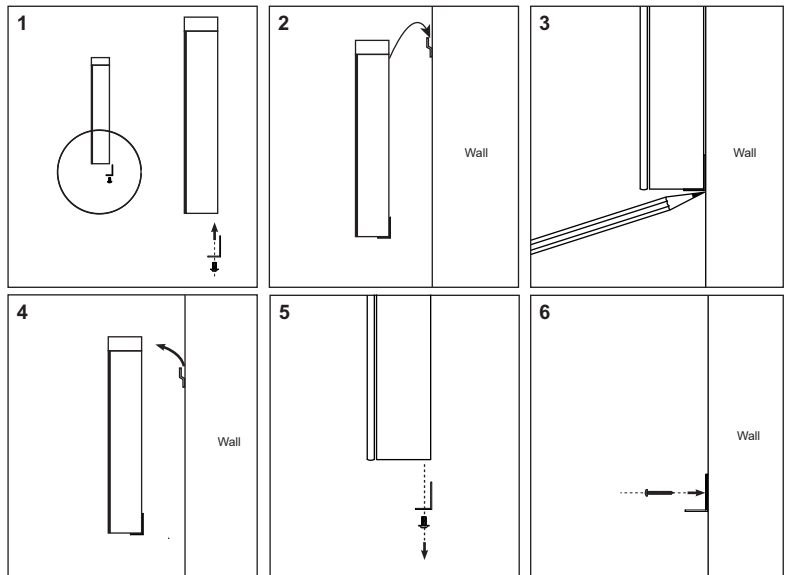
THIS PRODUCT IS MANUFACTURED TO CLASS I CATEGORY AND MUST HAVE AN EARTH CONNECTION



Close the connection box cover. Restore the mains supply and test the function of the lights and shaver socket. See operating instructions below.

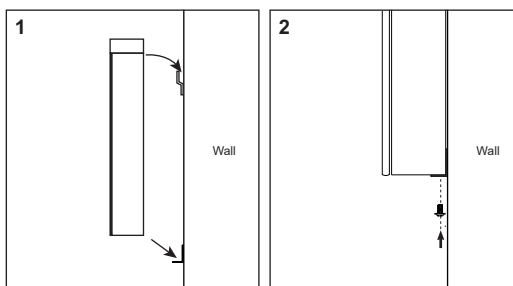
STEP 4

- Using the two provided screws, install the bracket onto the bottom of the cabinet.
- Hang the mirror on the cleats and check level, adjust horizontally to desired location. (This may require two people)
- Mark the location of the bottom bracket on the wall with a pencil.
- Lift and remove the mirror from the wall to reveal the pencil mark location of the bracket.
- Uninstall the bracket from the mirror by removing the two screws previously installed during step 1).
- Using the screw provided, mount the bracket to the wall at the marked pencil location. Do not over-tighten.



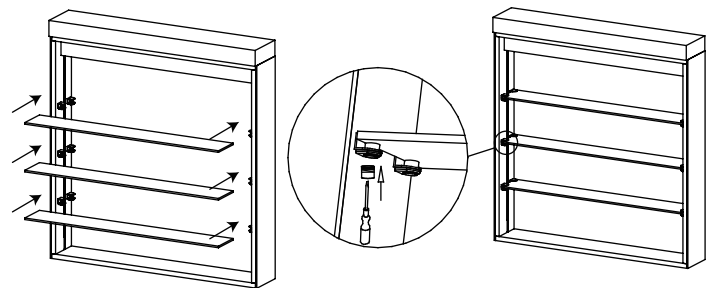
STEP 5

- Lift up the cabinet onto the hanging brackets and make sure the hanging brackets fit into the slots at the top profile.
- Using screws provided, align lower bracket and attach to cabinet.



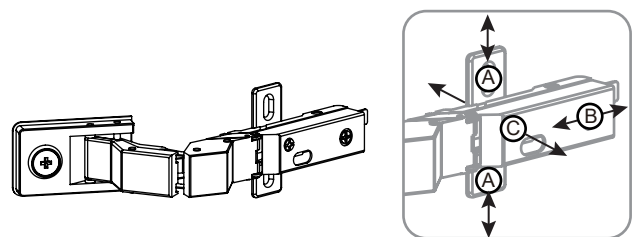
STEP 6

Insert the shelf supports in the desired positions starting with the top shelf. On the double door item, one of the doors should be removed so the glass shelves can be inserted. Please make sure to tighten the plastic screw at the bottom of the shelf support to prevent the shelves becoming loose. Rubber plugs provided can be used to cover unused shelf holes.



STEP 7

The doors are aligned during assembly. However if re-alignment is required. Please adjust screws A, B and C as shown in the diagram on the right.



Tube Type

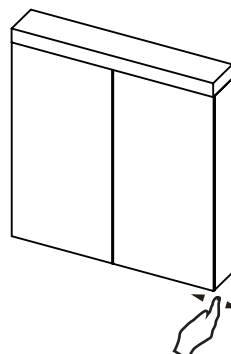
Model	Led Parameter	Led Drive
IG5070	354 Leds	20 W
IG7070	450 Leds	30 W
IG9070	546 Leds	30 W

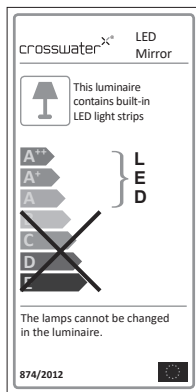
OPERATION

To turn illumination on or off, wave your hand under the sensor switch located at the bottom of the mirror.

To change the brightness of illumination, hold your hand under the sensor switch until desired illumination brightness is obtained.

The illumination brightness is then set until changed again.





Energy label



Waste Electrical & Electronic Equipment Regulations (WEEE) requires that any electrical products showing the mark above must not be disposed of with other household or commercial waste. To prevent possible harm to the environment or human health from uncontrolled waste disposal, please separate any such product from other waste types and recycle it responsibly at your local facilities. Check with your Local Authority, Recycling Center or retailer for recycling advice.

Care and Maintenance

Do not strike/hit glass components with hard or pointed items. Do not place very hot or very cold items against or in close proximity to glass surfaces unless a suitably thick insulation material is used. Do not place hot items on or against the cabinet carcass

If the mirror door or a glass shelf becomes broken, replace immediately. For details on replacement glass and other components our contact customer services department on the number below.

Cleaning:

NEVER use products containing bleach, cleaners of a gritty or abrasive nature or so called "glass and mirror" cleaning products, that can be detrimental to the long lasting finish of the mirror.

ONLY use a clean micro fibre cloth.

For any further information please contact:

© Crosswater Copyright:

No part of this document may be reprinted or duplicated without Crosswater Holding's consent. In the interests of continued product development Crosswater Holdings reserves the right to alter specification without prior notification. E & OE.

May 2019

crosswater[®]

For any further information please contact call us on:
0345 873 8840

Or visit our web-site at:
www.crosswater.co.uk

(V03,May 2019)