

Please read these instructions throughout before installing as incorrect fitting will invalidate the guarantee.  
It is recommended that this product is installed by a competent person/s.  
If you are unsure about these instructions please contact Kudos Shower Products

**Customer Service Helpline: 01539 564040**

### HEALTH & SAFETY WARNING

**DUE TO THE WEIGHT & SIZE OF THE GLASS PANELS A MINIMUM OF TWO PERSONS ARE REQUIRED TO MOVE AND INSTALL THIS BATHSCREEN**

### IMPORTANT

Check appearance of all product - any defects must be reported to Kudos Shower Products before assembly/installation and before disposal of packaging.

Claims for imperfections will only be accepted prior to assembly/installation.

Any claims made under the terms of the Lifetime Guarantee must be reported to Kudos within 21 days of the fault occurring

Check the screen option/size is suitable for your installation

Use care when drilling into walls to avoid hidden pipes or electric cables

### TOOLS REQUIRED

Pozi-head Screwdriver	Mains or Battery Drill
Tape Measure	6mm Drill Bit
Spirit Level	Pencil
Junior Hacksaw	Sealant Gun
2.5mm Allen Key - <i>supplied</i>	Craft knife
Silicone Sealant - <i>we recommend clear/transparent silicone</i>	
Wall fixings - <i>fixings supplied are for masonry use only</i>	

### CLEANING - general

**Use only warm soapy water and damp cloth / sponge on a regular basis.**

Do not use abrasive scouring powders, chemicals or aerosol cleaners - these may result in damage to the surfaces, in particular, the plated component parts.

### KUDOS LIFESHIELD GLASS TREATMENT

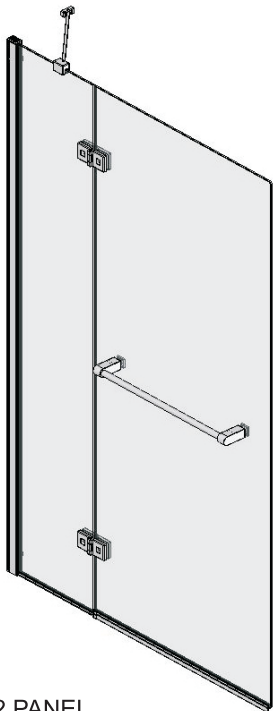
The glass panels are pre-treated with Life Shield on the inside surfaces only. Whilst this makes cleaning the glass easier and helps prevent the build up of harmful lime-scale and soap deposits, the glass still needs to be maintained on a regular basis.

We recommend the use of a detergent free cleaner on the glass as harsh detergents and abrasives can damage the coating. (A 50/50 mix of white vinegar and water works well)

**DO NOT** use abrasive cleaners or abrasive scrubbing equipment for cleaning!!

**DO** use a squeegee to remove remaining droplets of water from glass after showering, any build up of residue can be easily removed using an appropriate cleaner and agitation from soft cleaning equipment

These instructions illustrate the installation of the 4 Panel bathscreen-left hand version, fitting of other options in the range, shown below, are of similar principal, right hand versions are a mirror image of the stages shown in these instructions.



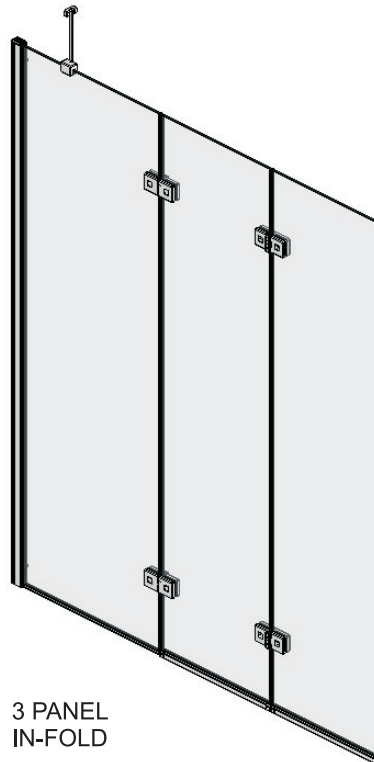
2 PANEL  
IN-SWING / OUT-SWING

In-swing & out-swing options  
6mm & 8mm glass options  
With & without handle options



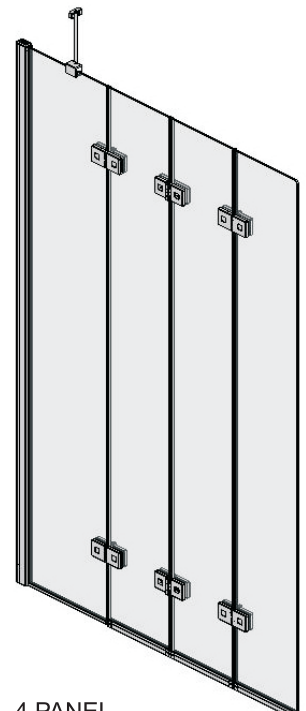
2 PANEL  
IN-FOLD

In-fold only option  
6mm & 8mm glass options



3 PANEL  
IN-FOLD

In-fold only option  
6mm glass only option



4 PANEL  
IN-FOLD

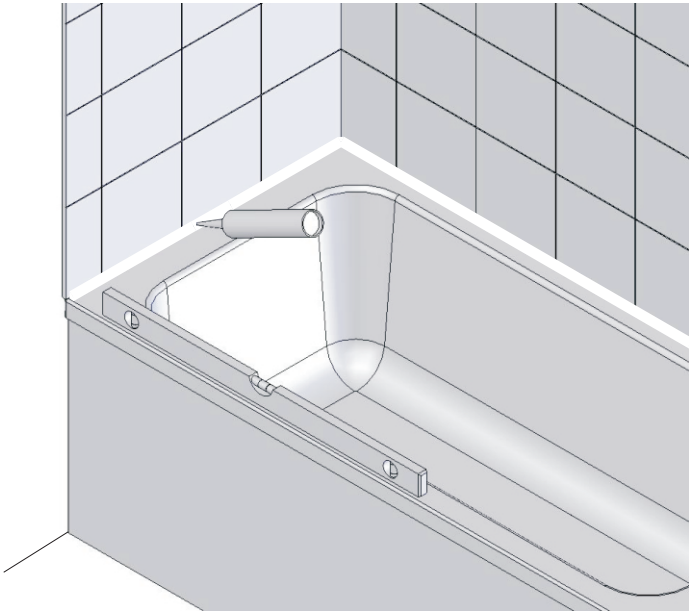
In-fold only option  
6mm glass only option

● Illustrations show left-hand versions

*Please note: Fold-In screens have been designed to clear the majority of the most popular bathtap fittings on the market. We do not accept responsibility if the product is non-compatible - please refer to stage 5 before commencing installation work.*

**THESE INSTRUCTIONS ARE TO BE LEFT WITH THE CONSUMER**

## 1 CHECK BATH INSTALLATION



- Bathrim **MUST BE LEVEL** in all directions
- Bathscreen must be fitted to waterproof surface eg. tiles/shower panels
- Once the walls have been tiled and **before** the screen is installed, the tiles **must** be silicone sealed to the bath all of the way around in one continuous bead.  
**Failure to follow this instruction will result in leakage problems behind the screen wallpost.**

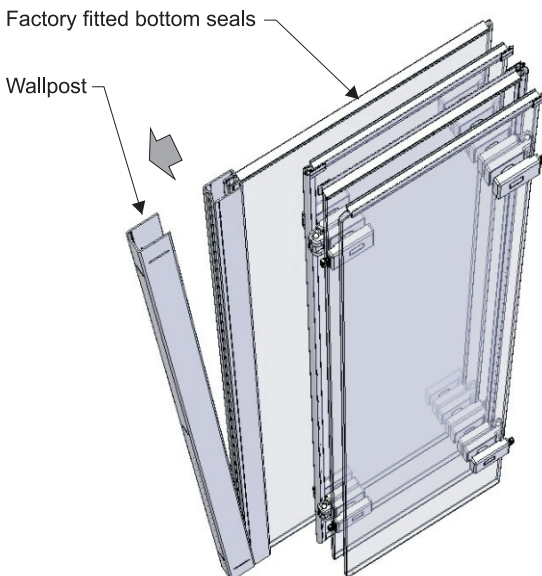
## 2 REMOVE FROM PACKAGING

- Carefully remove product from packaging and place on protective surface to avoid damage. **Do not place upright with the factory-fitted bottom seals to the floor.**

## 3 CHECK PARTS

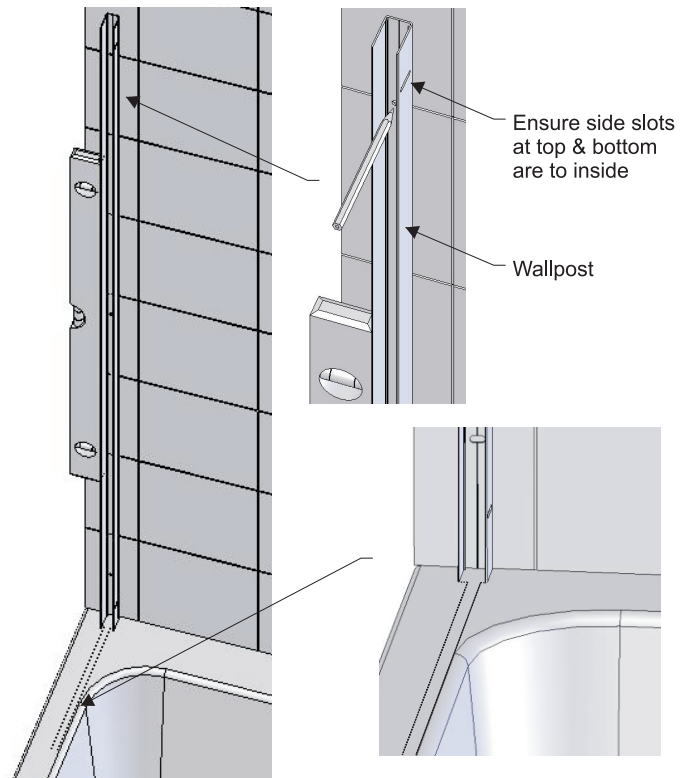
- Refer to separate leaflet supplied to check all contents.

## 4 REMOVE WALLPOST FROM SCREEN



- Remove wallpost from screen.

## 5 POSITION WALLPOST ON BATH



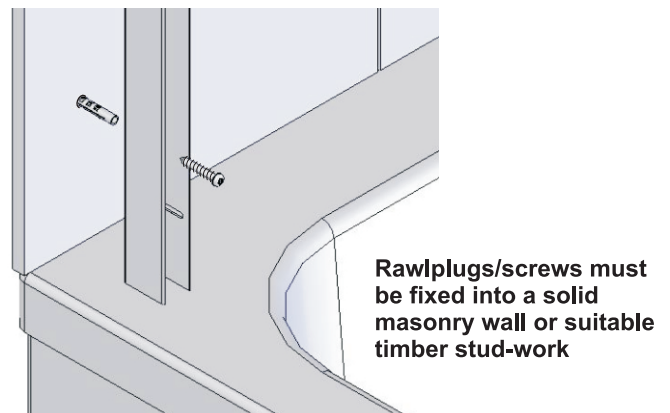
- Position wallpost onto bath so that when the screen is fitted, the bottom seal of the first glass panel is on **inside edge** of the bath rim.
- Ensure wallpost is vertical using spirit level. Using pencil, mark position of wallpost onto bath and through 3x slots onto wall.

**It is particularly important to position the bathscreen on the inside edge for the following reasons:**

- To assist in water drainage off the screen and into the bath.
- For baths where the inside edge of the rim is higher than that of the outside edge. (We are unable to guarantee the screen will not leak on baths with a rim of this type).

**TIP** *Fold-In screens - check at this stage that the screen, when fitted, will clear the tap fittings when folding back.*

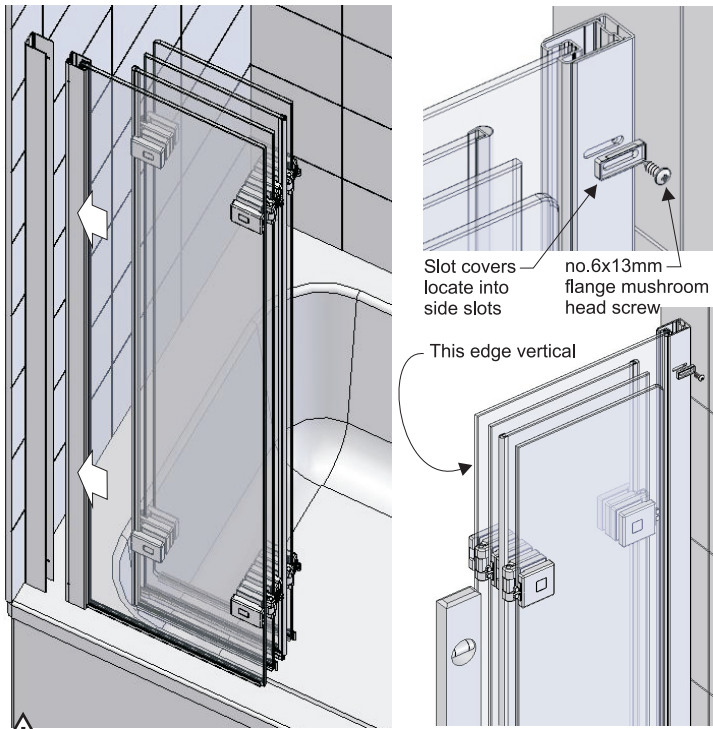
## 6 FIX WALLPOST



- Using 6mm drill bit, drill 3x holes in centre of marked slots and fit 3x rawplugs supplied or fixings suitable for the construction of the wall.
- Fix wallpost to wall using 3x no.8 x 30mm long panhead screws provided, ensuring wallpost is vertical.

**TIP** *Apply a bead of silicone sealant around bottom & centre holes made in wall before fixing wallpost to wall.*

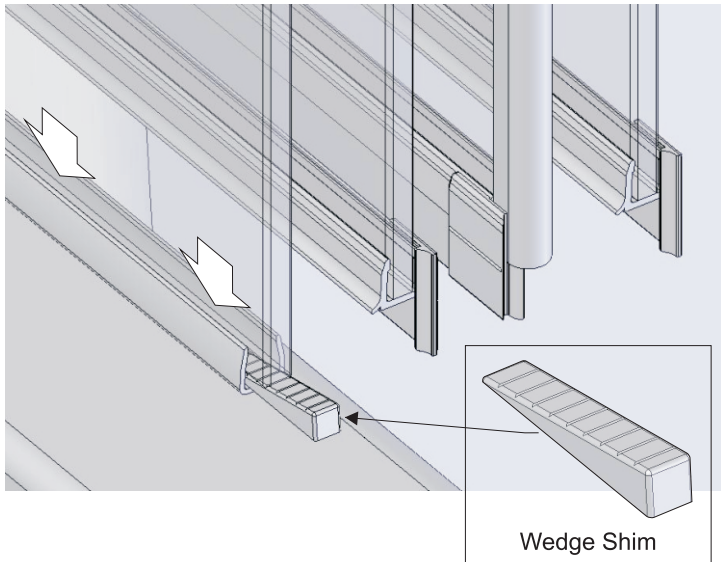
## 7 FIT SCREEN



### ! TWO PERSONS REQUIRED

- Carefully lift the folded screen and position into the wallpost.
- Secure to wallpost using 2x slot covers & 2x no.6 x 13mm flange mushroom head screws into pre-drilled holes at top & bottom.
- Using spirit level, ensure first fixed panel glass is vertical using adjustment in side slots, then fully tighten screws.  
(Max. 15mm adjustment in side slots)

## 8 FIT WEDGE SHIM

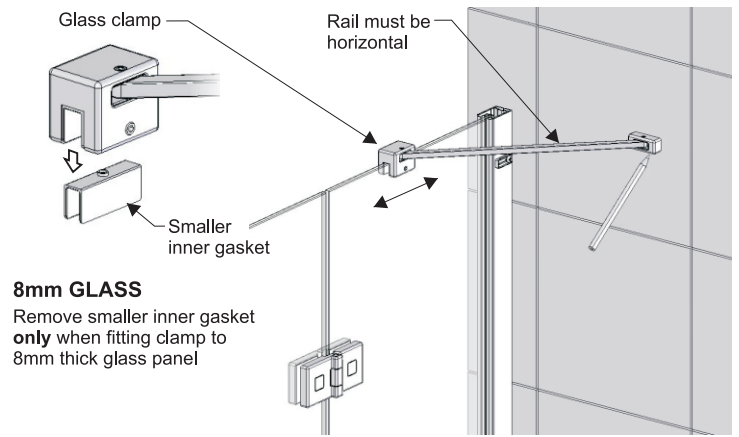


- Push bottom trim of first glass panel down onto the bath rim.  
(Max. 5mm adjustment on bottom seal)
- Insert wedge shim into end of bottom trim and glass panel until it goes no further.
- Mark wedge shim, remove and cut off excess with junior hacksaw, remove burrs and re-fit. The wedge shim should not protrude beyond the vertical edge of the glass panel when fitted.

**The wedge shim must be fitted if a gap exists so that the first glass panel is supported by the bath.**

**TIP** Ensure first glass panel is parallel with outside edge of bath when fitting wedge shim.

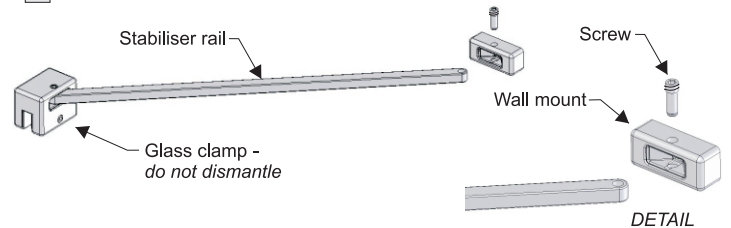
## 9 POSITION STABILISER BRACKET



**8mm GLASS**  
Remove smaller inner gasket **only** when fitting clamp to 8mm thick glass panel

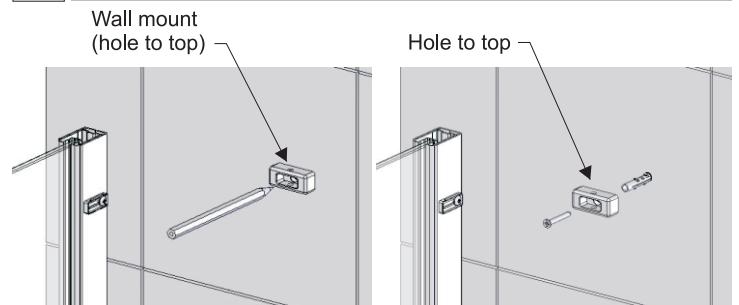
- Fit glass clamp of stabiliser bracket to top edge of first glass panel and position along panel so that the wall mount sits flush with the wall surface.
- Ensuring stabiliser rail is horizontal, mark around perimeter of wall mount onto wall. Remove stabiliser bracket.

**TIP** Ensure glass panel remains parallel to outside edge of bath when positioning stabiliser rail.

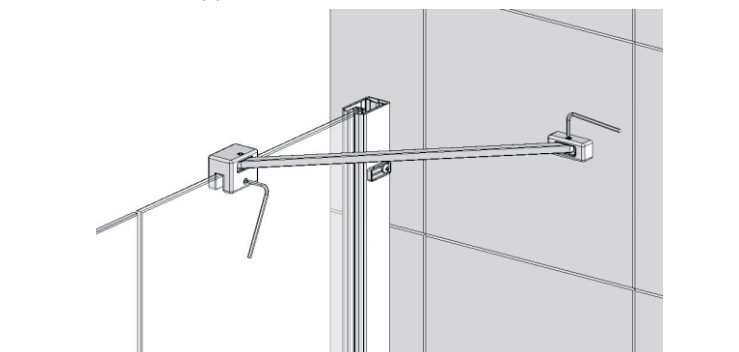


- Using 2.5mm allen key supplied, remove screw from top of wall mount and separate wall mount.

## 10 FIX STABILISER BRACKET

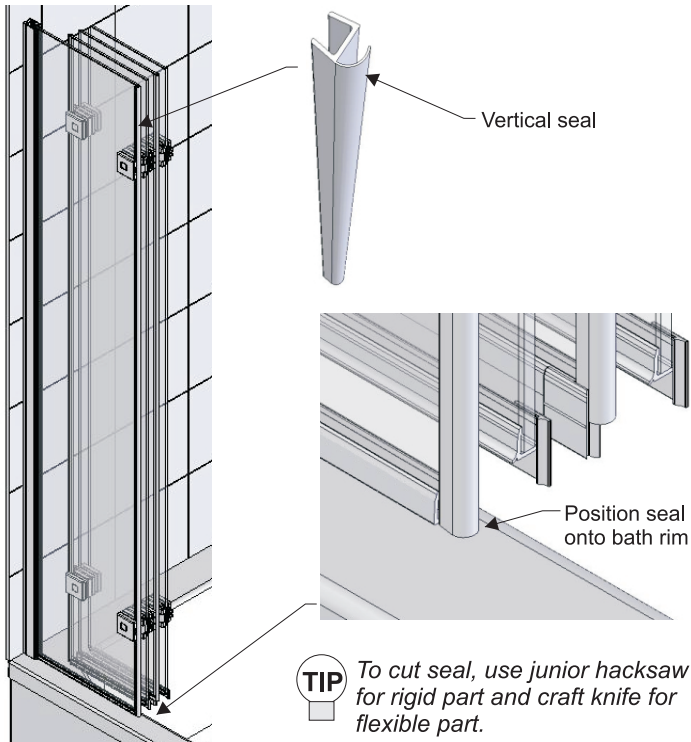


- Re-position wall mount to marks on wall and mark through hole in centre of mount onto the wall.
- Using 6mm drill bit, drill hole and fit rawlplug supplied. Fix wall mount to wall using 1x no.6 x 30mm long countersunk head screw supplied.



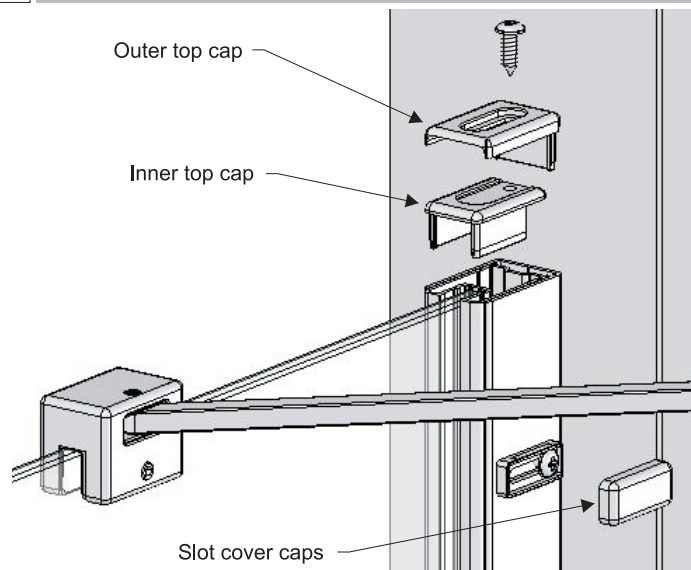
- Re-fit stabiliser bracket to glass panel and re-assemble rail & screw to wall mount.
- Using 2.5mm allen key, tighten screws to glass clamp and wall mount to secure rail in position, as shown.

## 11 FIT VERTICAL SEAL



- Fit vertical seal to edge of first glass panel, this simply pushes on, ensuring bottom of seal is touching the bath rim.
- If necessary, mark, remove and cut seal at top to align with glass panel, remove any burrs and re-fit.

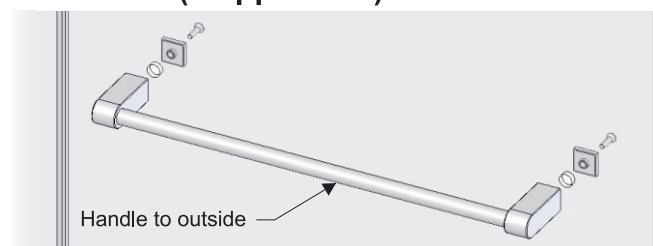
## 12 FIT COVER CAPS



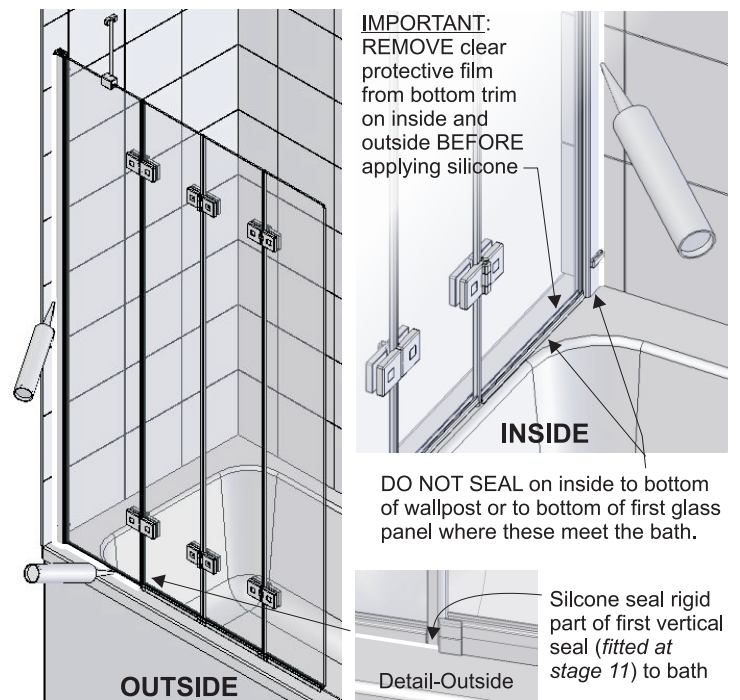
- Fit inner top cap and outer top cap to wallpost as shown and secure using 1x no.6 x 13mm long mushroom head screw provided.
- Push-fit slot cover caps over slot covers to top and bottom.

**TIP** Slot cover caps may be fitted after next stage to make silicone process easier.

## FIT HANDLE (if applicable)



## 13 SILICONE SEAL



**IMPORTANT:** Remove clear protective film from bottom trim of first glass panel, on inside and outside BEFORE applying silicone sealant

- With screen in 'open' position, silicone seal to wall and bath:

### ● **OUTSIDE**

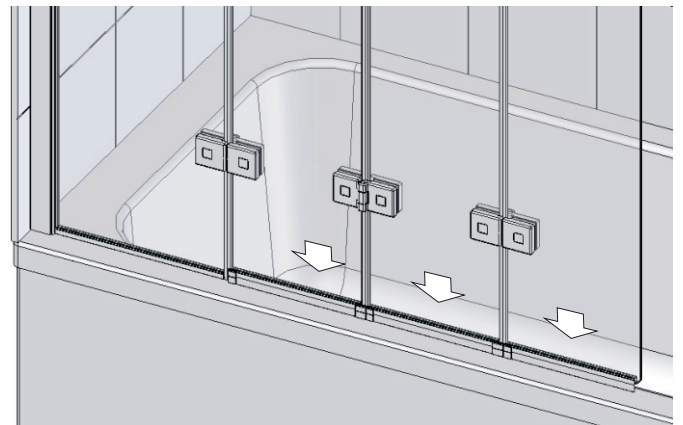
Seal wallpost to wall through entire height  
Seal first glass panel & first vertical seal only to bath rim

### ● **INSIDE**

Seal wallpost to wall through entire height

**Leave screen with panels in 'open' position and allow 24hrs for silicone to fully cure before using the bathscreen**

## ADJUSTING BOTTOM SEALS (if necessary)



- The bottom seals can, if necessary, be pushed down toward the bath rim to reduce any gap.  
(Max. 5mm adjustment for each bottom seal)

## SCREEN IN USE

- For In-Fold screens only - please ensure that you un-fold screens from INSIDE the bath & position UP TO the bath rim before use. This will help limit any undue pressure on the bottom seals as they are not passing over the 'higher' outer edge of the bath rim.
- When installed correctly, Kudos guarantee the screen will not leak under normal showering use, ie. when the shower head is in it's normal showering position.  
NB - Using the shower head to clean/rinse down the screen does not constitute normal showering use.