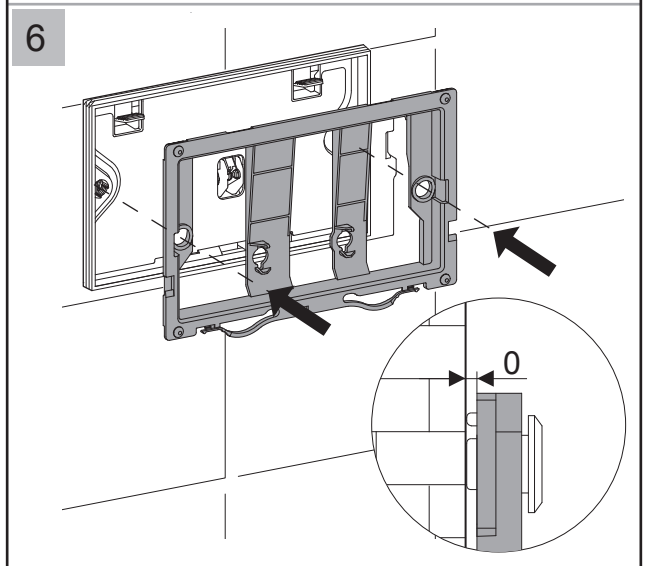
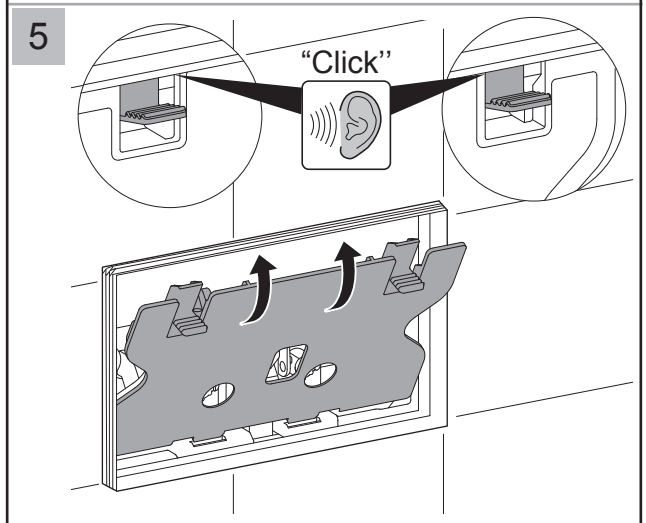
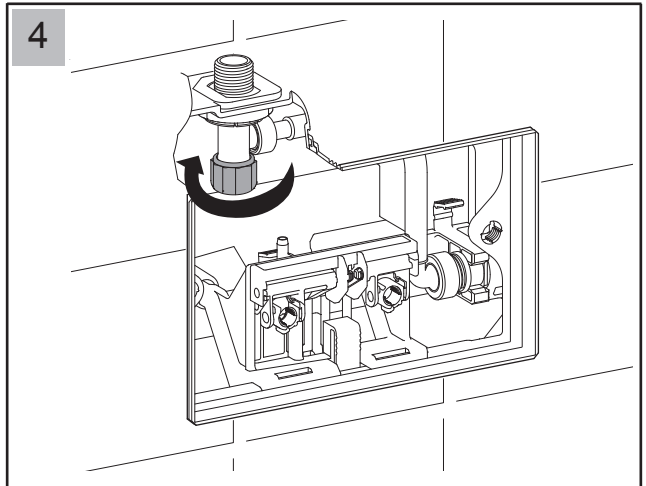
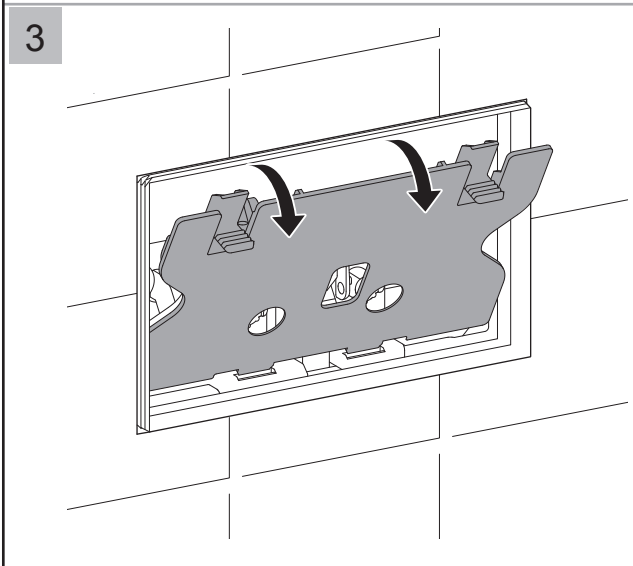
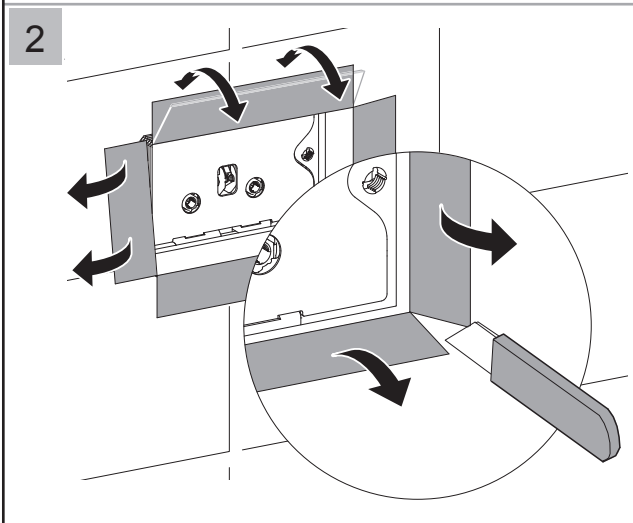
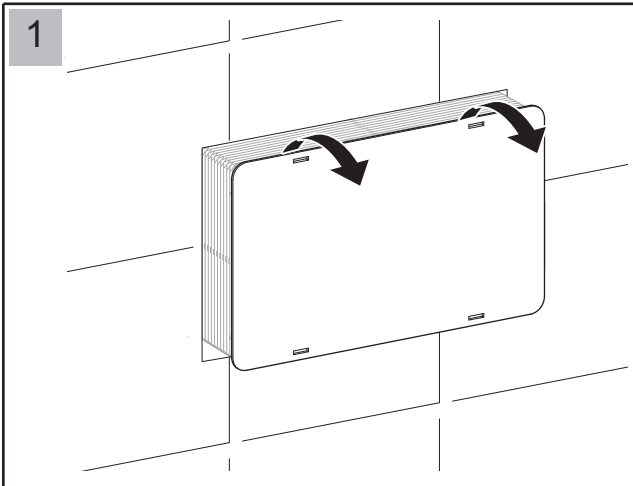
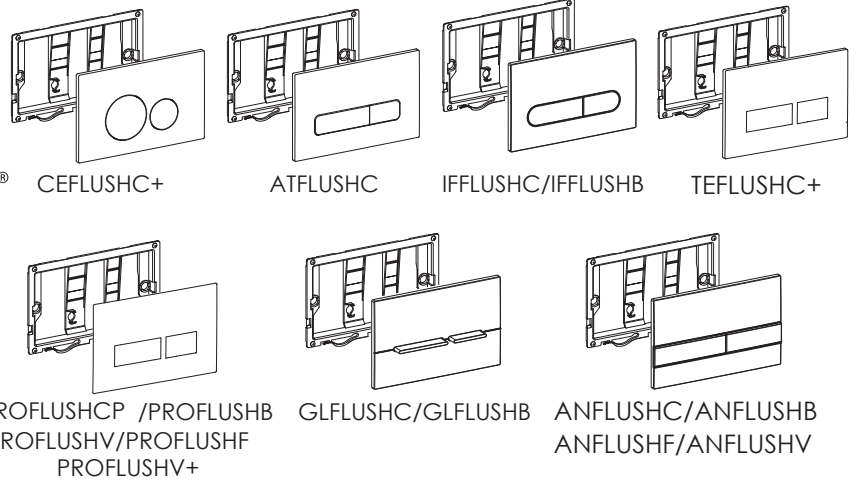


Installation

crosswater[®]



560092-2 19-1.2

