

HERITAGE

BATHROOMS



INSTALLATION GUIDE

MODELS COVERED:

Fitted Furniture

Please keep this booklet for future reference.

Installer: When you have read these instructions, please ensure you leave them with the user.

INTRODUCTION



Thank you for buying a Heritage Product. When you buy a Heritage product, you can be confident that it not only features a beautiful, distinctive, classic design, but that it has also been made to the very highest quality standards.

To ensure that it works to its full potential, it needs to be fitted correctly.

These fitting instructions have been created to give you all of the information you need and, if you need any further help, please do not hesitate to give us a call on: **0330 026 8503**.

CONTENTS



Safety Notice	3
Installer Guidelines	3
Installation	4-9
Door Adjustment.....	10
Complete the Look.....	11-14
Caring for your product	15
Guarantee	15

SAFETY NOTES



Please read these instructions and retain for future use.

All products manufactured and supplied by Heritage are safe, provided they are installed correctly, used correctly, and receive regular maintenance in accordance with these instructions.

If you are in any doubt about your ability to install this product safely you must employ the services of a competent person who has experience of fitting products of this nature.

 Before starting any installation project please consider the following:

- Prior to drilling into walls, check there are no hidden electrical wires, cables or water supply pipes with the aid of an electrical detector.
- If you use power tools do not forget PPE:
 - Wear eye protection.
 - Unplug equipment after use.
- Keep electrical equipment away from sources of water.
- This product must not be modified in any way as this will invalidate the guarantee.
- Basins, including the connecting water and waste system need to be installed in accordance with and meet the requirements of the water supply regulations 1999 (Water Fittings) and Scottish By-Laws 2004.
- If a blow lamp is used when plumbing, the flame must be kept away from the furniture otherwise damage may occur.
- All units should be assembled and fitted using instructions and installation guidelines provided. Any screws and other fixings used must be suitable for the installation situation. (Brick, Block, Plaster or Dot & Dab)

Safety Notice- All Wall Hung Units must be installed with adequate load bearing screws (not supplied) and used with the supplied wall hung brackets and plates.

INSTALLER GUIDELINES



The furniture in this booklet comes mostly assembled.

Things to assemble are shelves and single doors

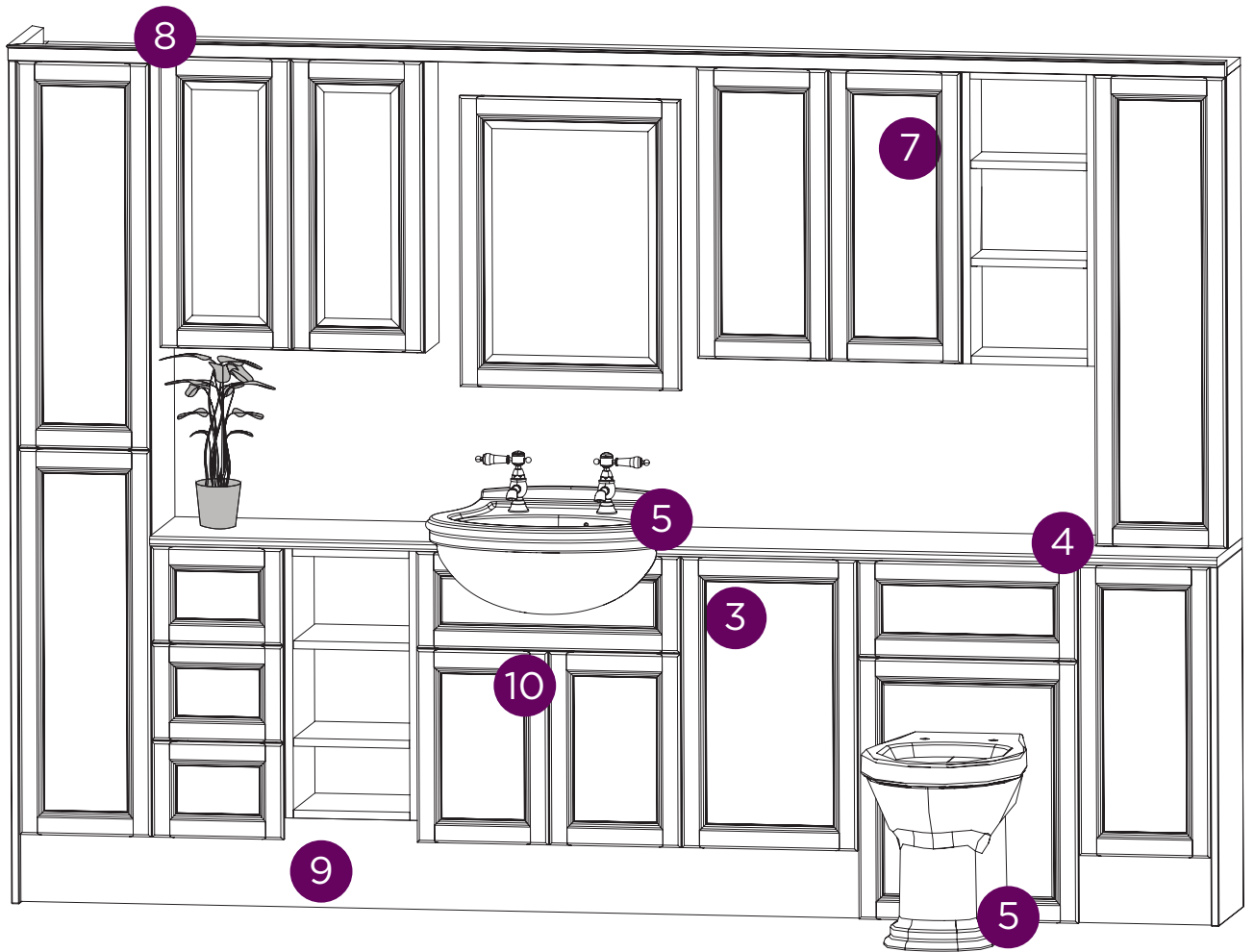
The installation of this product greatly depends on the floor being level. If this is not the case, it must be corrected before installation.

Keep an eye out for the ‘**INSTALLER TIPS**’ throughout the instructions for helpful advice.

INSTALLATION SEQUENCE



WE RECOMMEND THAT YOU POSITION ALL OF YOUR FURNITURE IN THE DESIRED RUN, MAKING SURE THAT ITS ALL LEVEL AND SAME HEIGHT BEFORE SECURING TO WALL



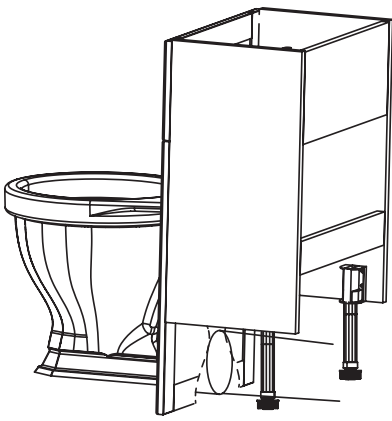
- 1 'T' off hot and cold water appropriately
- 2 Locate waste outlets according to plan
- 3 Fix base units to the wall
- 4 Fit countertop
- 5 Fit sanitaryware
- 6 Check all connections for leaks
- 7 Fit wall cupboards where appropriate
- 8 Fit Bridge and Cornice (Bridge Lights)
- 9 Fit continuous plinth if used, scribing as necessary.
- 10 Fit Handles and make any hinge adjustments

INSTALLATION - WC & CISTERN UNIT



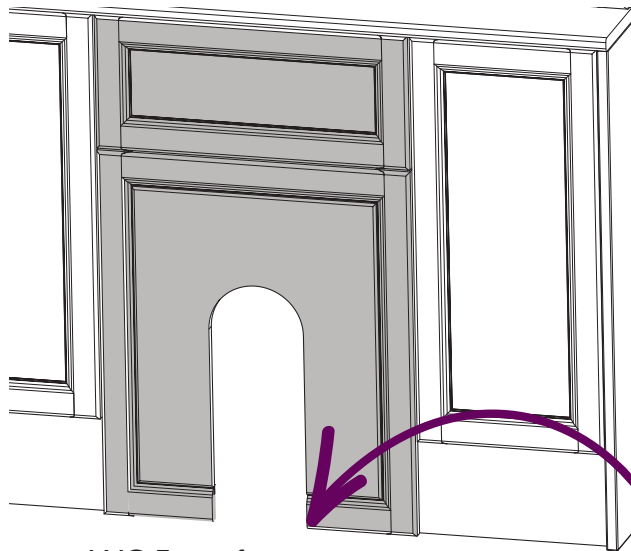
INSTALLER TIPS

If other base units are being fitted we recommend that the WC unit fascia is measured first to determine the height for all other furniture.



WC UNIT Caversham

WC Unit fascia is pre-cut, however additional cutting may be required dependent on the chosen range.



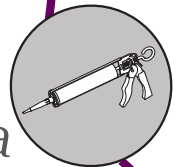
WC Front fascia pre-cut

IMPORTANT

In some cases it may be necessary to fix the cistern to an additional batten screwed to the rear wall.



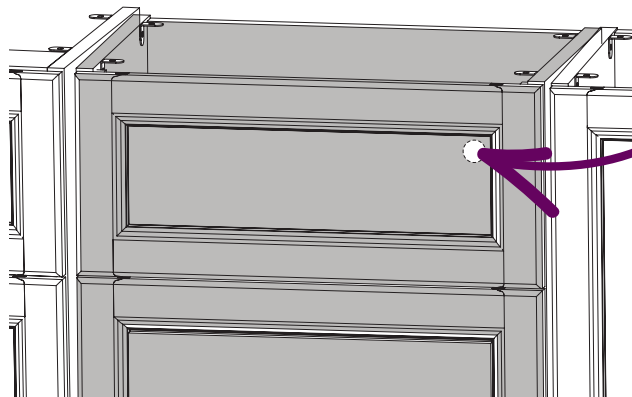
Seal a cut edges with a suitable waterproofing agent, paying attention to the fascia cut out



CONCEALED CISTERN Caversham

The cistern push button should be installed in the upper fascia, measure the button before cutting.

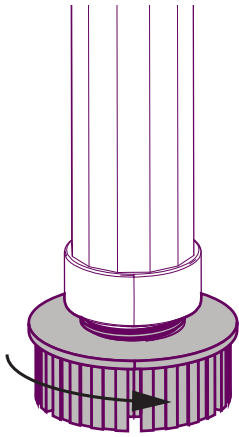
Allow at least 85mm from the side edge of the fascia, to enable it to be reversed if necessary. It should be mounted centrally within the furniture at 800mm (floor to the top of the cistern lid)



INSTALLATION - BASE UNITS



INSTALLER TIPS

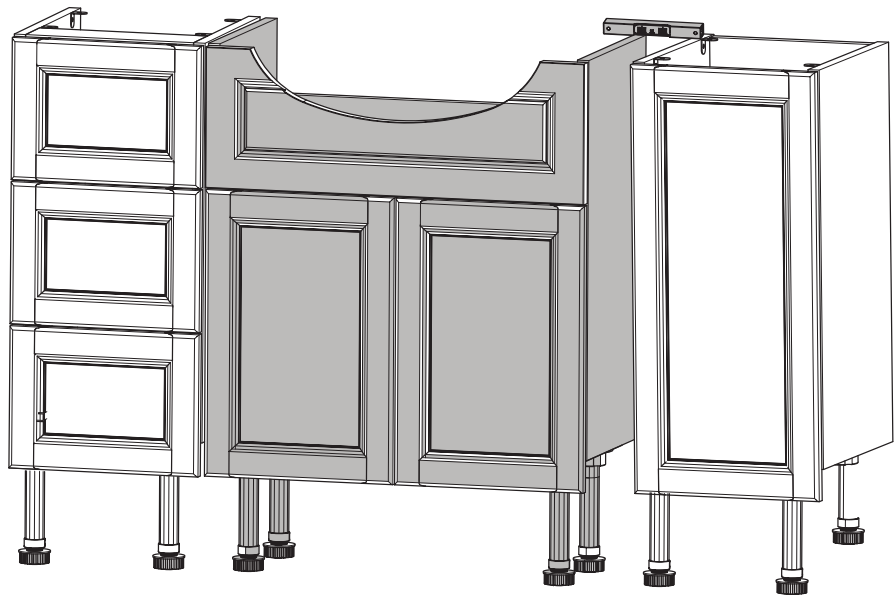


Secure legs to the holders.
To adjust height of legs
turn the bottom leg to
increase/decrease

We recommend that you position all of your furniture in the desired run, making sure that its all level and same height before securing to wall

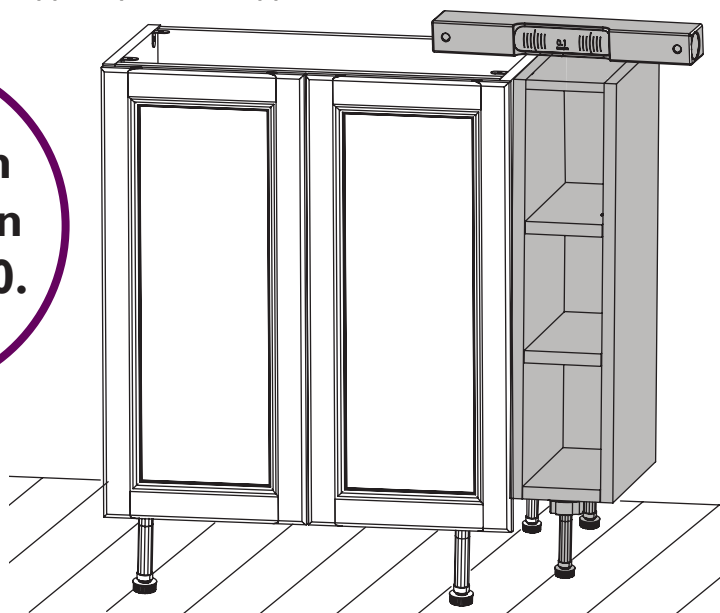
VANITY UNITS Caversham

Position vanity unit against the wall at required height, using a spirit level to check before securing to the wall. Please note that suitable wall fixings should be sourced by the installer.
Refer to the fitting instructions for the semi-recessed basin before completely fitting the vanity unit to the wall



OPEN BASE UNITS

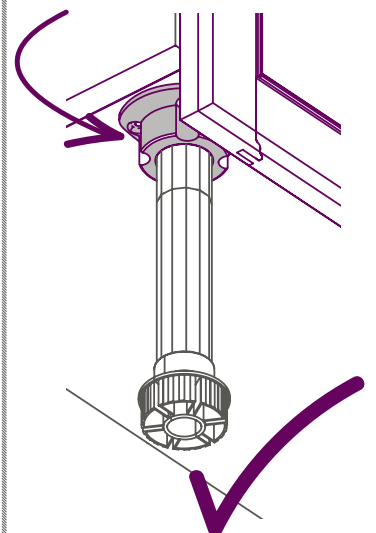
Position the open unit next to the neighbouring unit and check level. Holes for the shelf pins are pre-drilled and the support pins are supplied with the base units



**See Plinth
Installation
on Page 10.**

GOOD TO KNOW

Pre-fitted leg holders
Positions of leg holders
will vary on open base
units and WC units.

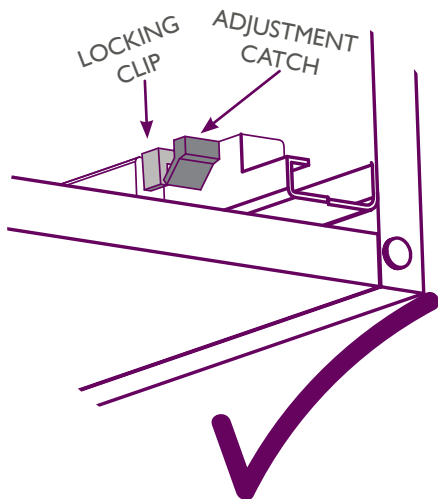


INSTALLATION - BASE UNITS



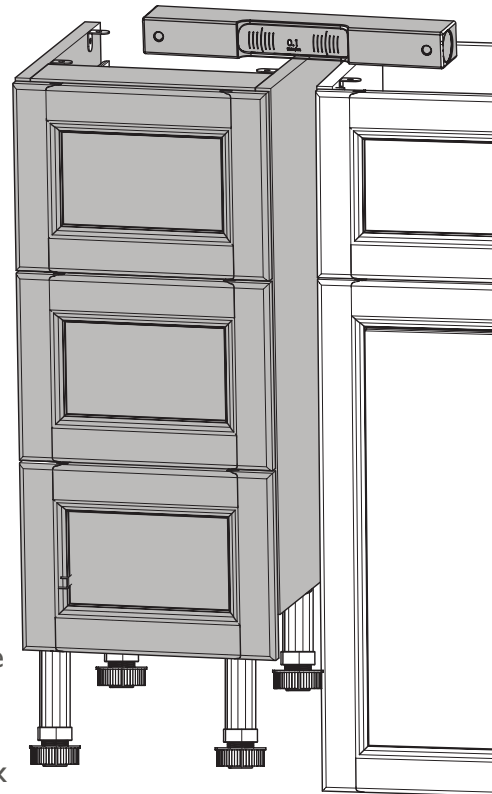
INSTALLER TIPS

You can adjust and remove the drawers if needed. Follow instructions on this page.



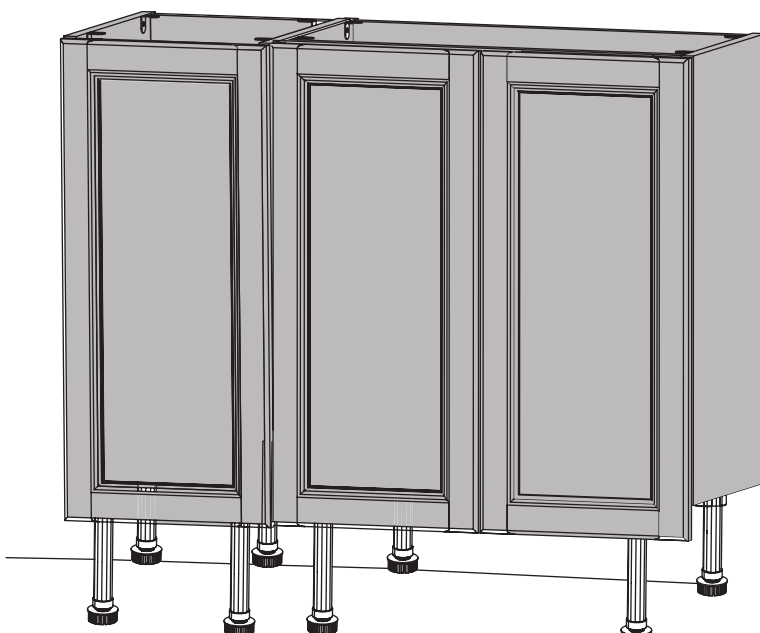
DRAWER UNITS

Fit legs see installer tips on page 6.
Position the drawer units next to the neighbouring unit and check level. The drawers for the drawer unit come assembled and the runners are fitted.



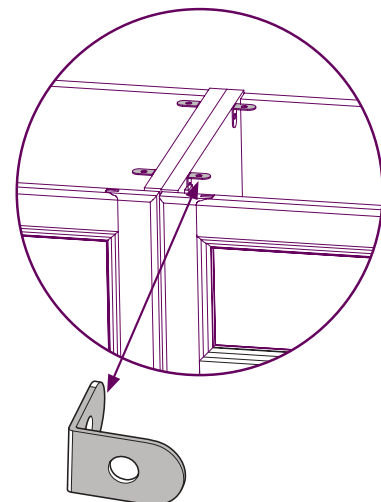
BASE UNITS

Position base unit against the wall at required height, use a spirit level to check that the unit is plumb and level.
Drill two holes through the back panel evenly spaced approx 50mm down from the top edge of back panel. Fix to wall using suitable fixings (Not Supplied).
Holes for the shelf pins are pre-drilled and the support pins are supplied with the base units



GOOD TO KNOW

'L' shaped brackets are supplied with the base units for you to secure your worktop.



INSTALLATION - WALL UNITS

IMPORTANT

Suitable load bearing screws and additional screws must be used to secure the lower part of the wall units to the wall. (Additional screws are not supplied)

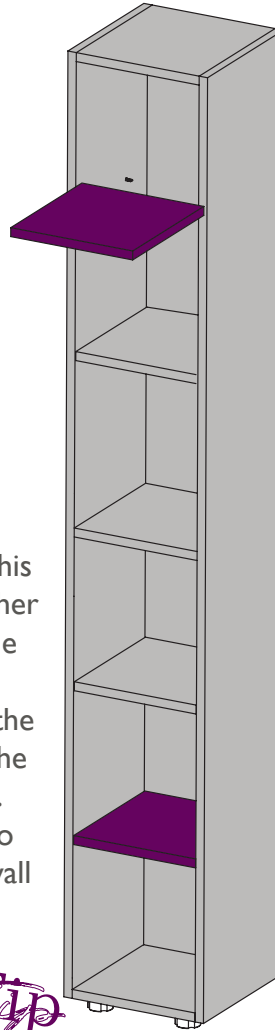


FLOOR TOWER UNIT

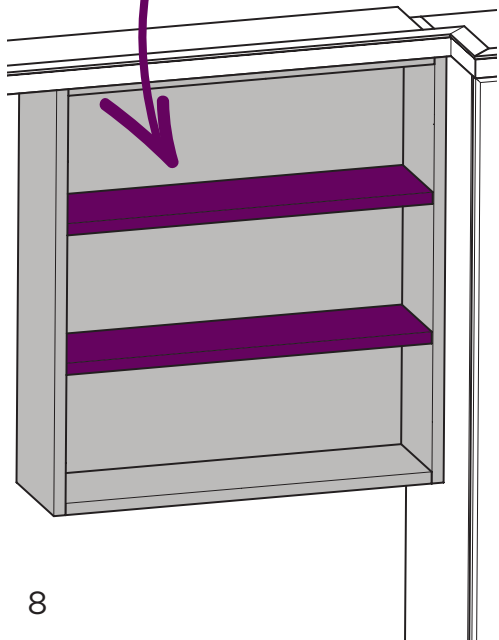
If you are fitting a floor tower unit into your run this should be used to determine the height of your other wall units. Please use suitable screws to secure the tower unit to the wall.

Secure the unit to the wall in 3 locations through the back panel, we suggest at the top and bottom of the unit and a stabilising screw in the middle of unit.

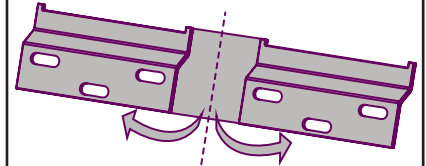
We recommend that you use the loose shelves to cover the screws. Once wall unit secured to the wall using suitable fixings put in place the shelves



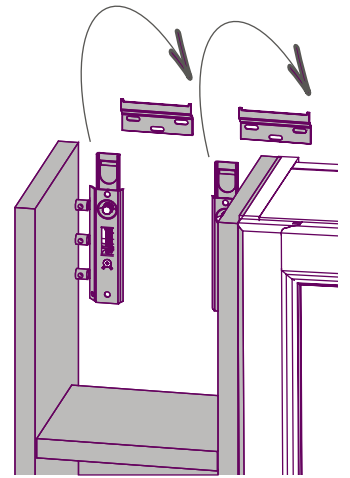
Style Tip
Use the shelves to hide additional fixing screws.



INSTALLER TIPS



The wall units are supplied with suspension fittings that are pre-fitted to the back of the unit. The wall hanging brackets will be supplied joined together, you will need to separate them by snapping them apart. Hold either side of bracket and gently snap them apart.



WALL UNIT

Locate the wall units in position and mark up where they will be secured to the wall. Using the Installer Tips above, Fix the supplied wall plates, using appropriate load bearing screws that are suitable for the wall material (Screws are not supplied)

Fix to the wall at the desired height, making sure that there is enough of the fixing protruding to hang suspension fitting on.

Additional screws must be used to secure the lower part of the wall units to the wall. (Additional screws not supplied)

We recommend that you use the loose shelves to cover the screws. Once wall unit secured to the wall using suitable fixings put in place the shelves

INSTALLATION - WALL UNITS

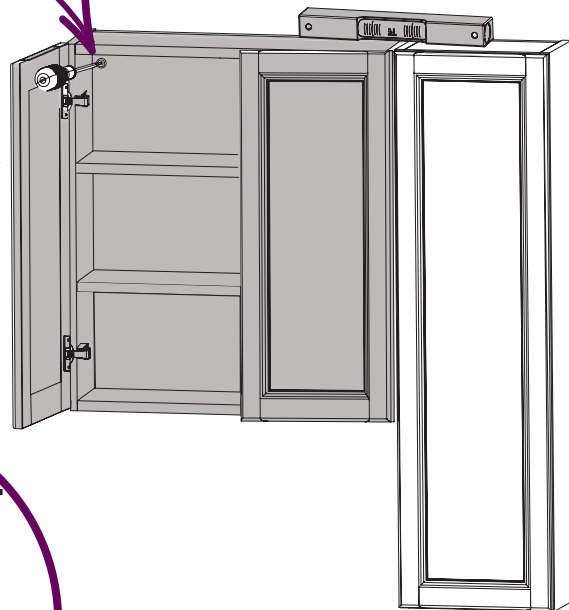
Safety Notice- All Wall Hung Units must be installed with adequate load bearing screws (not supplied) and used with the supplied wall hung brackets and plates.

MIRROR WALL UNIT

Fix appropriate fixings to the wall at the desired height, making sure that there is enough of the fixing protruding to hang the suspension fitting on.

Additional screws must be used to secure the lower part of the wall units to the wall. (Additional screws not supplied)

Follow Installer Tips on how to adjust



IMPORTANT

Single Door Unit doors will need to be fitted depending on preferred orientation, see page 10 for details.



SIT ON WALL UNIT

Locate the wall units in position and mark up where they will be secured to the wall.

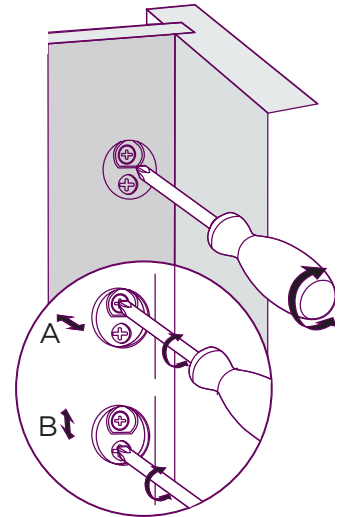
Using the Installer tips on p.8, Fix the supplied wall plates, using appropriate load bearing screws that are suitable for the wall material (Screws are not supplied) making sure that there is enough of the fixing protruding to hang the suspension fitting on.

When fitting the sit on wall unit, please check that you have left enough room for the worktop to fit between the base unit and wall unit.

Additional screws must be used to secure the lower part of the wall units to the wall. (Additional screws not supplied)

We recommend that you use the loose shelves to cover the screws. Once wall unit secured to the wall using suitable fixings put in place the shelves

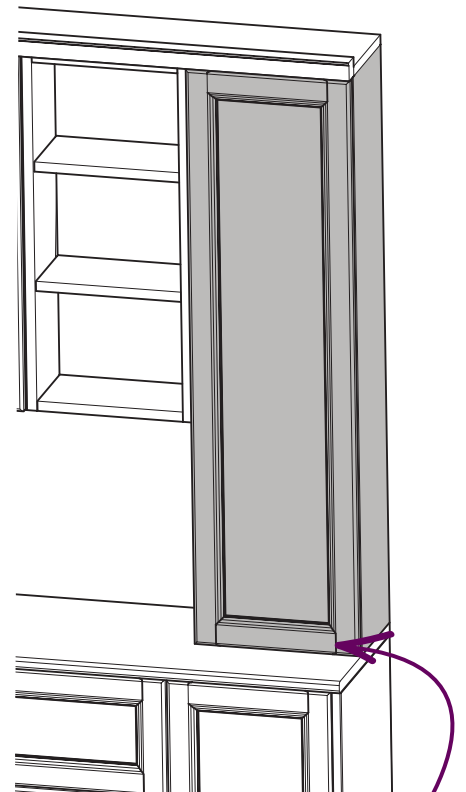
INSTALLER TIPS



You can adjust how the unit sits on the wall using a screwdriver

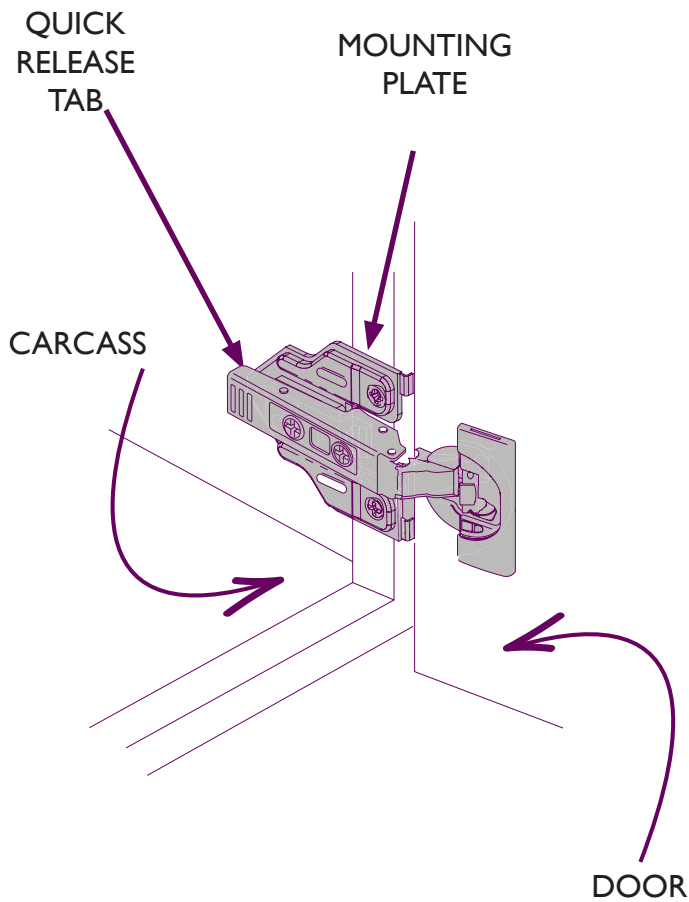
A PULLS INTO WALL

B ADJUSTS TO MAKE LEVEL



Make sure unit sits on worktop

DOOR ADJUSTMENT



DOOR/ HINGE FIXINGS

Clip the hinge into the front of the mounting plate on inside of unit first before pushing the back of the hinge against the plate it clips into position.

Adjust the door as required- see Hinge Adjustment diagram.

SINGLE DOOR/ HINGE FIXINGS

Note on single door units that the doors can be reversed. Fit the hinge plates on the desired side of the unit. Use the covers provided to cover the original hinge plate holes.

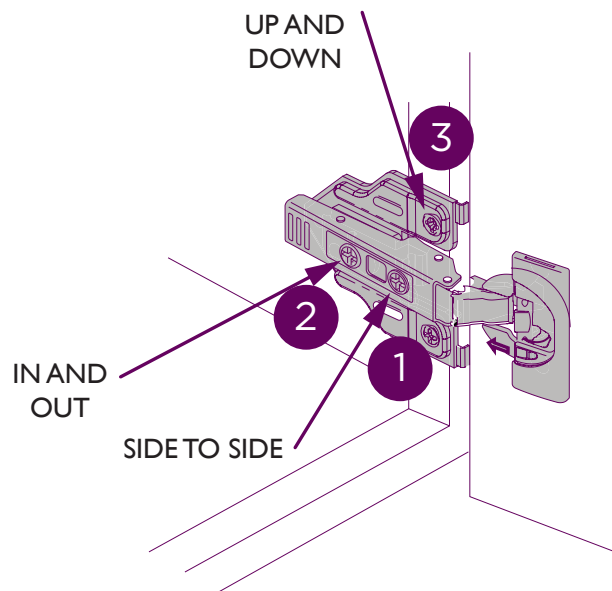
Adjust the door as required- see Hinge Adjustment diagram.

HINGE ADJUSTMENT

To adjust the doors side to side tighten/loosen screw 1

To adjust the door forwards and backwards tighten/loosen screw 2

To adjust the door up and down adjust screws 3 on the mounting plate.

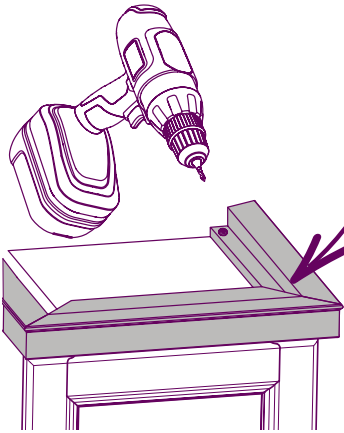


COMPLETE THE LOOK

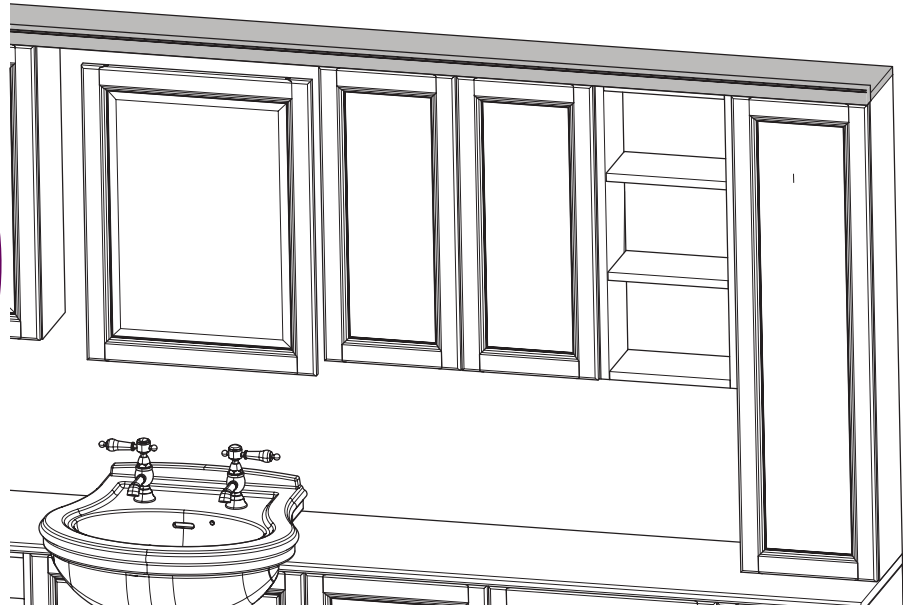


Style Tip

Remember to miter the edges to really complete the look



BRIDGE & CORNICE

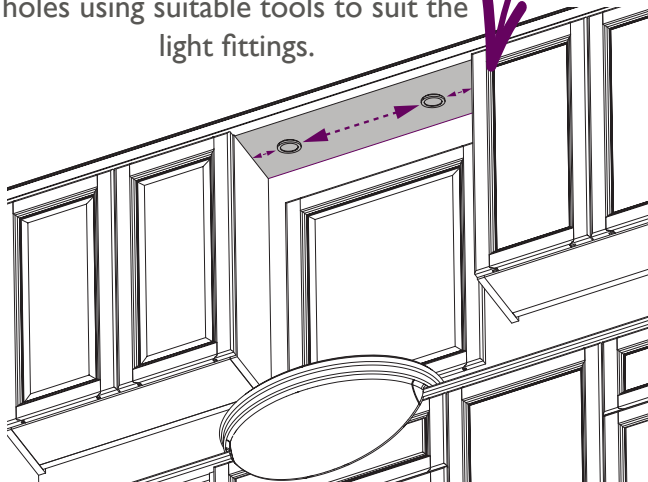


Once all your wall units are fitted and secure, you can complete the look by adding a Bridge and Cornice on top of unit. The bridge can be screwed down onto the wall unit, keeping in mind the length of the screw going into the top of the unit.

The cornice can be fitted directly on top of units without a bridge and should be secured using screws (Not supplied) Drill screws down directly on the lip of the cornice into the top of the units, please make sure you use the correct size screw.

BRIDGE LIGHTS

If you have purchased the bridge with lights consider where you want to fit the light fittings. Measure and cut holes using suitable tools to suit the light fittings.



INSTALLER TIPS



OPTION

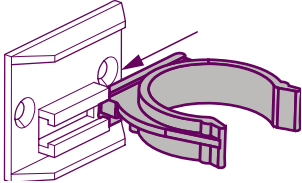
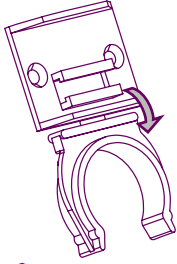
A

Please follow the instructions for option A that are provided with your light fittings.

COMPLETE THE LOOK



INSTALLER TIPS



The support clips are supplied flat you will need to separate the two parts and assemble before securing to plinth

FITTING YOUR BASE UNIT PLINTH

Measure the required length for your plinth and allow for extra for return ends. If a return end is being fitted this should be done before securing the front plinths, as you need to be able to screw the return end plinth to base unit.

The base units and vanity units have pre-drilled pilot holes on the underneath of the units, appropriate fixing brackets are supplied and should be fitted to suit your furniture.

The front plinth should have the supplied support clips attached and then secured to the base unit legs.

Fixing screws for the return end plinth are supplied

IMPORTANT
Front plinths must be secured to base unit legs



Pilot holes pre-drilled for fixing brackets

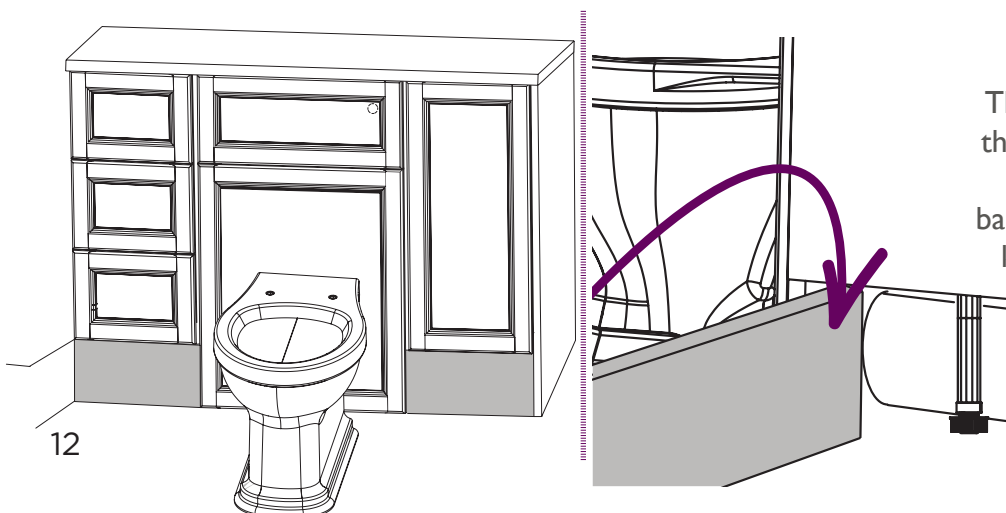
Return end plin

Front Plin

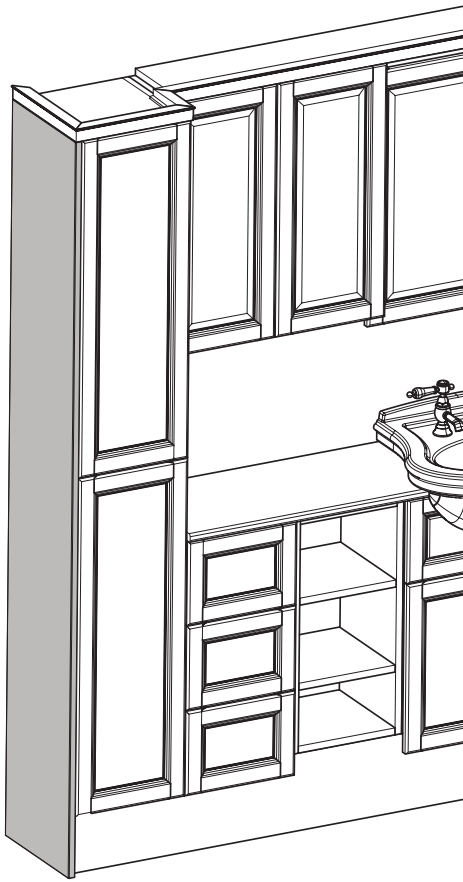
WC PLINTH

The continuous plinth should sit behind the WC fascia, no clips will be required as the WC unit legs are set further back, surrounding unit support clips will keep plinth secure behind the fascia.

Additional cutting may be required to allow for the soil pipe



COMPLETE THE LOOK



TALL GABLE END

The Floor Tower Unit Gable end screw directly through the side panel of adjacent unit into the gable end.

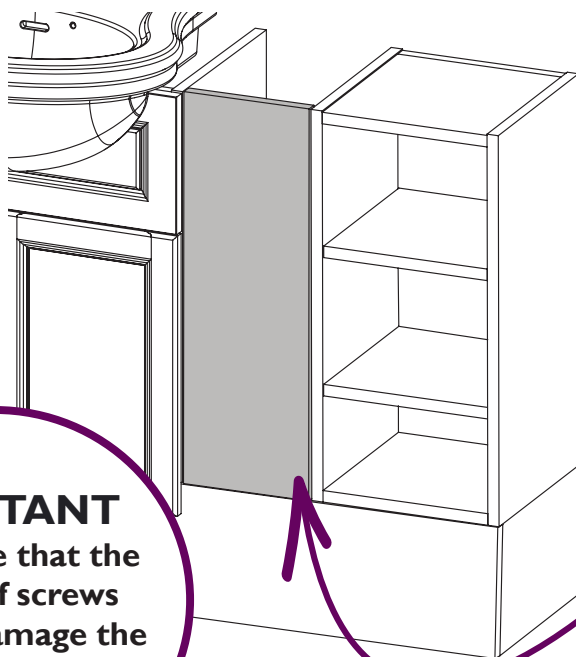
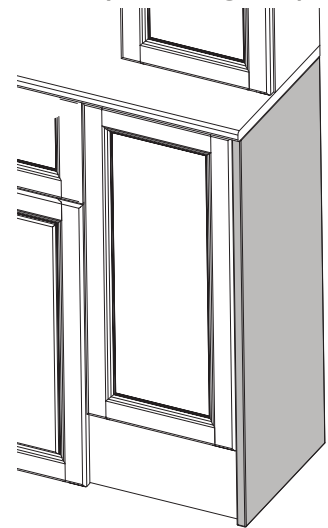
Check all units are level before finally securing the place.

Screws not supplied for the Tall Gable and Gable ends.

GABLE END

The Base Units have a gable end to suit them, these help to define the end of a furniture run.

Screw directly through the side panel of adjacent unit into the gable end. Check all units are level before finally securing the place.



BASE FILLER

The Base Fillers are available to help fill space between or at the ends of run if gaps need to be concealed, the base filler should sit in line of base unit carcass, and should sit on top of the plinth.

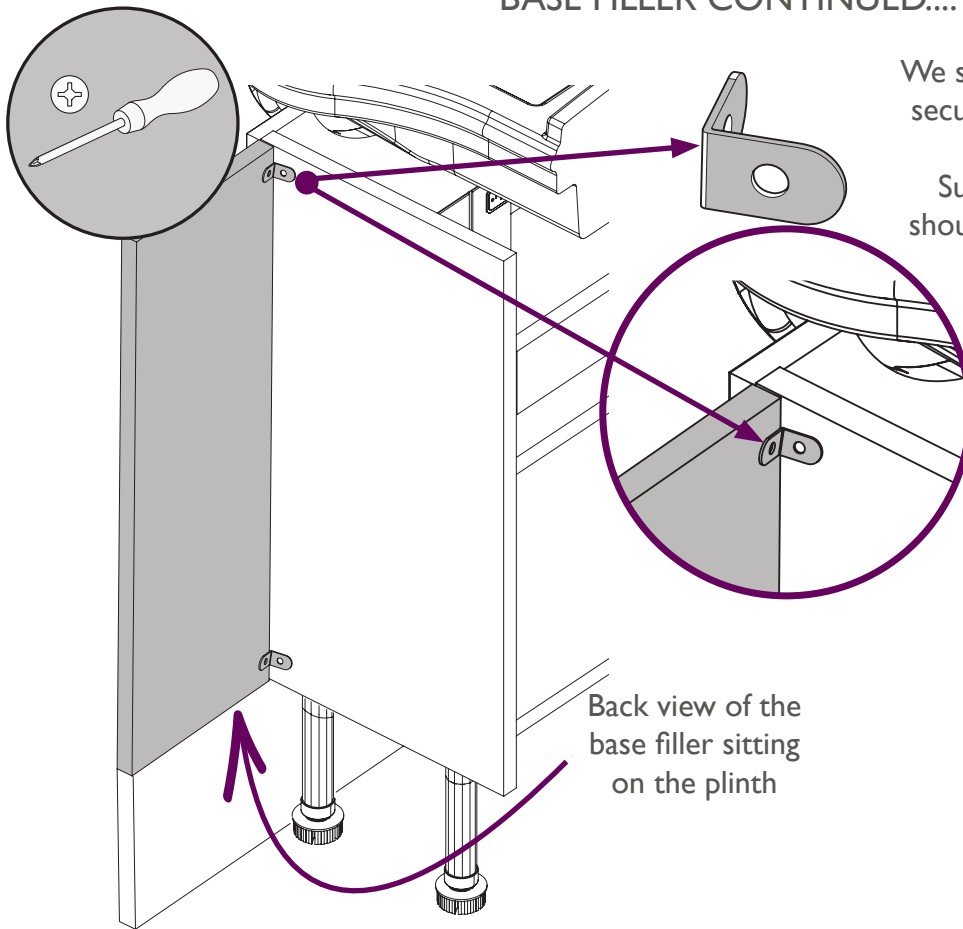
The base filler can be cut to suit your space.

IMPORTANT
Make sure that the length of screws will not damage the internal or external panels



COMPLETE THE LOOK

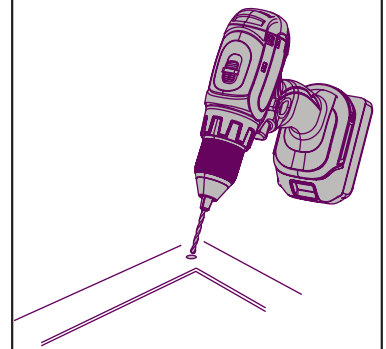
BASE FILLER CONTINUED...



We suggest that the base fillers are secured using 'L' shaped brackets (not supplied). Suitable brackets and screws should be sourced by the installer.

Back view of the base filler sitting on the plinth

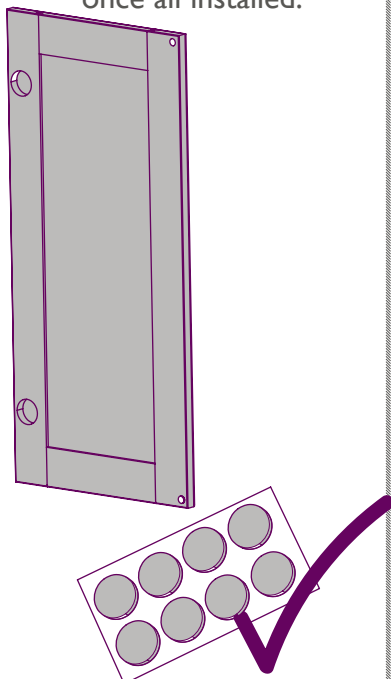
INSTALLER TIPS



For all finishes place the door on a firm flat piece of clean scrap material.

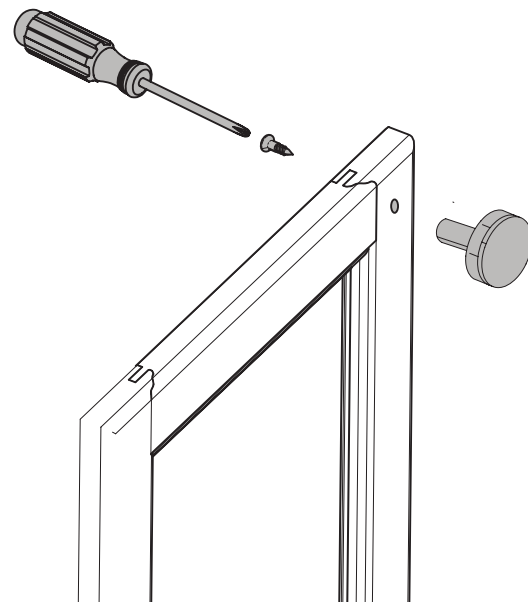
GOOD TO KNOW

Door buffers are supplied. Fit to furniture doors once all installed.



Finishing touches HANDLES

Mark the handle position you require and drill a 1mm pilot hole through from the face of the door, turn over the door and drill a 5mm hole through. Fix the handle(s) with the screw(s) provided.



CARING FOR YOUR PRODUCTS



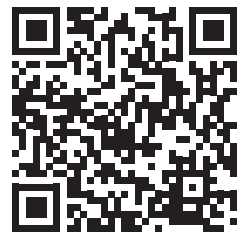
Your fitting has a high quality finish and should be treated with care to preserve the surface.

- All surface finishes will wear if not cleaned correctly.
- The only safe way to clean your product is to wipe with a soft damp cloth. Any stains can be removed using washing up liquid.
- Do not use cleaning powders or liquids.
- Even non-scratch cleaners may damage the surface of your fittings.
- Avoid products or liquids that are likely to stain, clean any spills immediately.

GUARANTEE



The confidence we have in the quality of our products and services enables us to offer a free peace-of-mind product guarantee from 2 years up to a lifetime guarantee against any manufacturing faults, with proof of purchase. In addition, our attentive customer service team are available to help solve any problems which may arise quickly and effectively so you can enjoy your bathroom.



To see the specific guarantee for this product, visit the following URL or QR Code.

<https://www.heritagebathrooms.com/service-centre/guarantee>

HERITAGE[®]

BATHROOMS

We love to see how Heritage products are used so please keep in touch and share pictures of your new bathroom with us.



@heritagebathrooms

If you have any queries, our dedicated customer service teams and products experts are available to help.

Email us enquire@heritagebathrooms.com Call us 0330 026 8503 Website www.heritagebathrooms.com

Heritage Bathrooms Pooley Hall Drive, Birch Coppice Business Park, Dordon, Tamworth B78 1SG