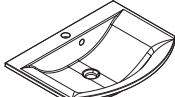
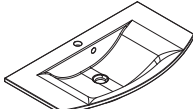
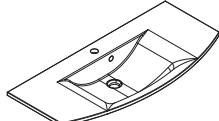
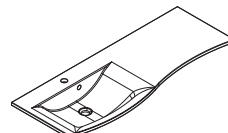
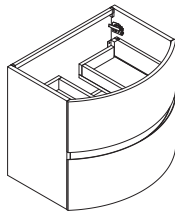
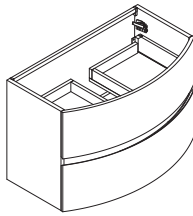
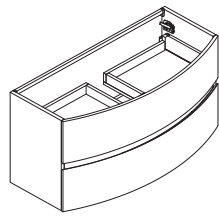
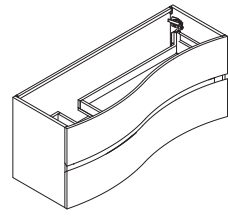
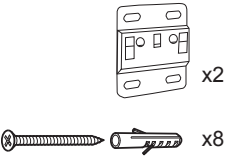
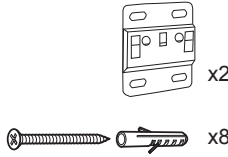
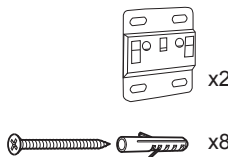
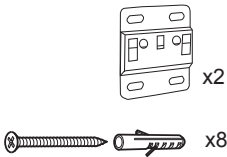


600 Two Drawer Basin Unit & Basin	800 Two Drawer Basin Unit & Basin	1000 Two Drawer Basin Unit & Basin	1200 Two Drawer Basin Unit & Basin
 SE0611SRW	 SE0811SRW	 SE1111SRW	 SE1211SRW
 SE6000D	 SE8000D	 SE1000D	 SE1200D
39kg with basin	46kg with basin	60kg with basin	73kg with basin
 x2 x8	 x2 x8	 x2 x8	 x2 x8

Tools & equipment needed: Drill, 8mm Suitable drill bit, Phillips screwdriver, Spirit level, Ruler/tape measure, Pencil, Silicone sealant (clear).

IMPORTANT - Advice and safety - Please read before installation

Please read these instructions carefully before starting installation and keep in a safe place for future reference. ENSURE the room is well heated and ventilated.

Check the contents of the pack carefully before installation. Bauhaus will not be held responsible for any de-fit / re-fit costs where faulty product has been fitted.

If any fault is found with materials or workmanship, it must be reported immediately to the manufacturer. Remedial action will be taken, based on information received, on condition that: 1. Full details are supplied to the manufacturer; 2. The product has not been modified or tampered with; 3. The manufacturer is informed of any damage/shortages prior to installation. 4. The product has not been installed, or attempts have been made to install.

We do not accept responsibility for any problems that may occur through incorrect installation.

Advice & Safety

This product should be only be installed by a suitably qualified Plumber/ installer. Should the installation be completed by a non-qualified person any product guarantee maybe considered invalid. For a claim made under our warranty written certification of your installers qualifications can be required.

It is advised that all doors and drawers are removed prior to fitting to avoid unnecessary damage occurring.

It is recommended that the furniture and accessories are installed after tiling, ensuring that the product is installed flat to the tile face and allows product to be easily removed if required in the future.

This document has been prepared for your guidance, you must exercise due care at all times.

Please note that some units are heavy. Always take care when lifting, and follow health and safety guidelines. It is recommended that 2 people carry out the installation of larger basin/vanity units over 30Kgs gross weight.

Warning! Please check for any hidden pipes or electrical cables before drilling holes in the floor or walls.

When using power tools always follow the manufacturer's user instructions.

This installation guide details fitting to a solid wall. If your bathroom has studded/plasterboard walls, please use appropriate plasterboard fixings. Please ensure the wall can take weight of units detailed above. Before installing a wooden bathroom unit into a new property, extension or recently plastered room we strongly advise the building/room is completely dry, well ventilated and adequately heated.

Important pre-installation notes

To ensure full working use of the drawers we recommend the use of Bauhaus basin furniture trap BTR0410W.

Care & Cleaning

Cast mineral marble products should be cleaned regularly with warm soapy water, then rinsed with clean water and, if desired, dried and polished with a soft cloth. Lime scale deposits can be removed using a 50:50 solution of warm water and lime scale remover and soft clean cloth. We recommend regular cleaning with Bauhaus Cream Polish SD150RW, specially formulated to clean and help protect the surface of cast mineral marble basins.

Do not use abrasive cleaners or bleach in this will permanently damage the high gloss surface.

Use a well wrung chamois leather or micro fibre cloth to clean furniture carcasses.

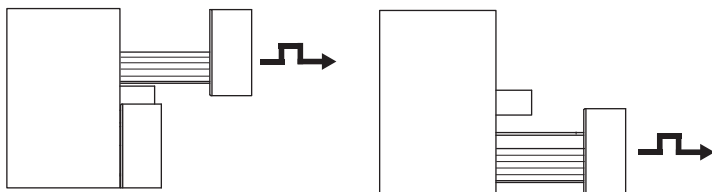
If any maintenance is required then it must be carried out by a qualified Plumber.

The manufacturer reserves the right to make technical modifications without prior notice.

Basin & Basin Unit Installation

Step 1

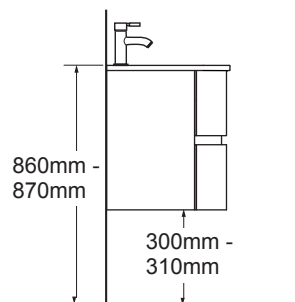
Remove the drawers before installation.
Pull out fully, lift the front, pull out again, lower and fully remove.



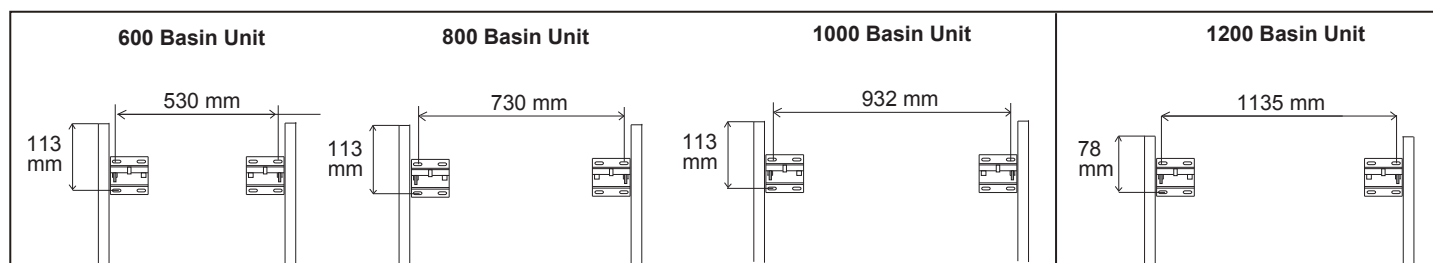
Step 2

Plan unit position

Decide on the position and height of the unit. The recommended basin height is between 860mm and 870mm from floor to top of basin.



Step 3



'Wall bracket' installation

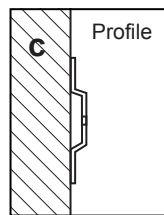
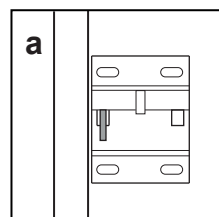
Use the measurements above, to position the 'wall brackets'.

a: Important: The measurements given above are the maximum the brackets can be spaced apart, the brackets must fit within that measurement.

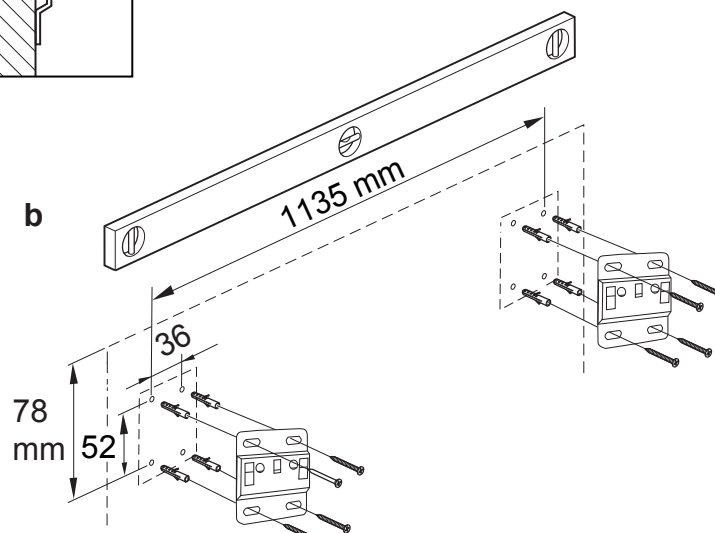
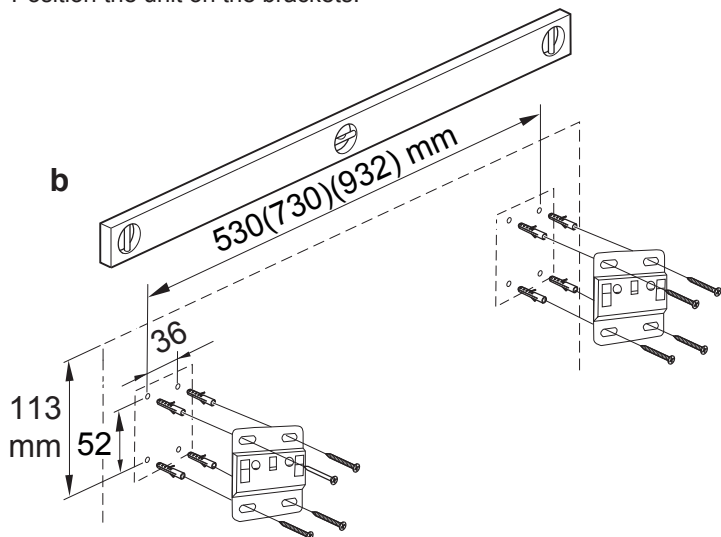
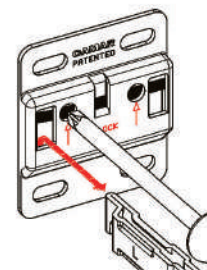
b: Mark the bracket fixing holes onto the wall. Drill \varnothing 8mm holes, insert the wall plugs on solid walls and attach the brackets (c).

Important: If the basin unit and/or basin are not fitted level this may result in the basin not draining correctly.

Position the unit on the brackets.



Removing bracket from the wall

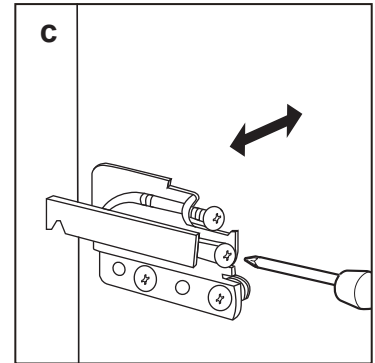
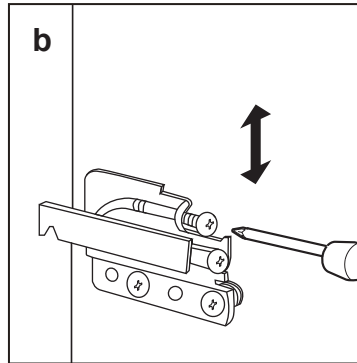
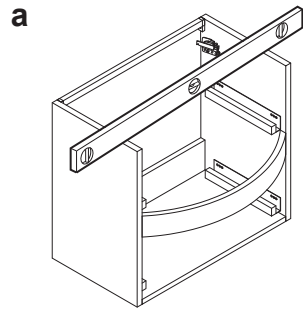


Step 4

a: Check the unit is level.
If levelling is required, use a screwdriver to adjust the hanging position, as follows:

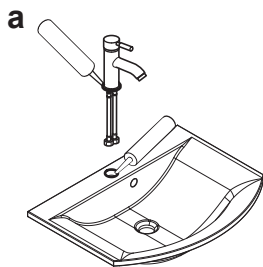
b: To lift or lower the unit, adjust the screw shown.

c: To move the unit closer or further from the wall, adjust the screw shown.

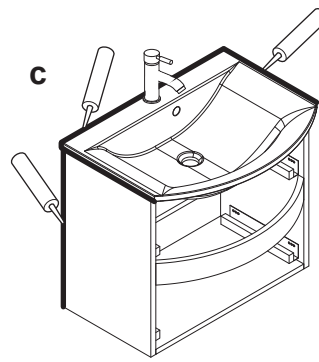
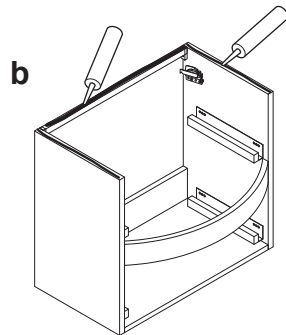


Step 5

Basin Installation



SE0611SRW Basin is shown as a typical example



a: Attach the tap to the basin and carefully bed in the waste using silicone **only**.

b: Carefully apply silicone to the top edges of the unit.

c: Carefully position the basin down onto the unit, ensure it is centrally positioned and flush at the back.

Connect the tap and waste.

Apply silicone **all the way around the join between the basin/unit and wall, and around the base of the basin.**

Leave silicone, 24 hours to dry.

Note: Basin waste and tap fittings when over tightened can create stress within the basin material which may in time cause the failure of the product. Waste fittings should be carefully bedded in silicone and the back nut hand tightened an

additional quarter turn using a suitable spanner is sufficient to create the required watertight seal. Care should also be taken when fitting brassware to tap platforms in order to prevent similar stress related failures.

Step 6

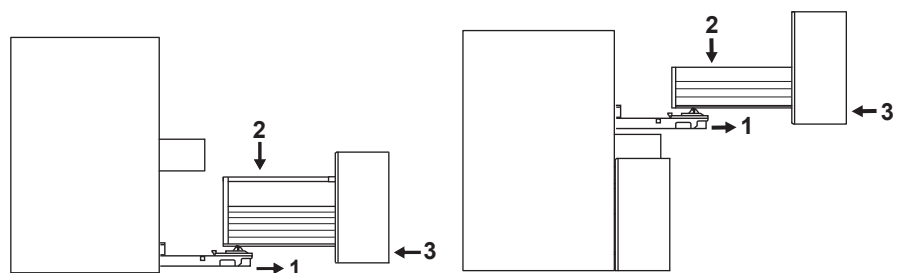
Re-fit drawers:

1: Pull both drawer runners fully out.

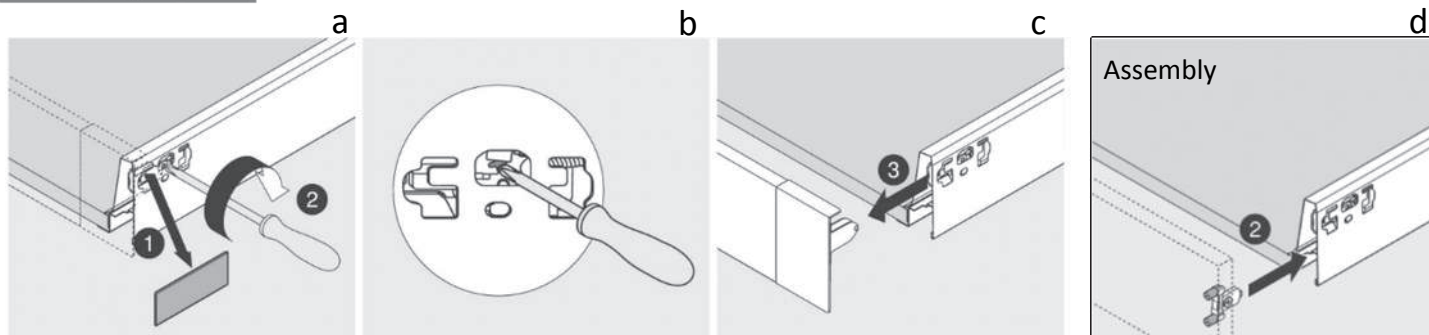
2: Set the drawer down onto the runners.

3: Push the drawer fully in.

Test to make sure the drawers operate correctly and there are no obstructions behind the drawer.



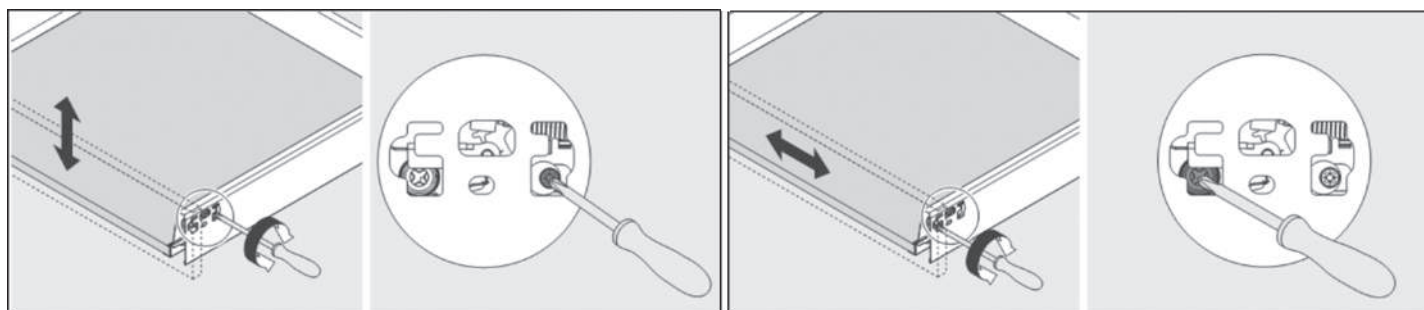
Step 1 **Drawer front REMOVING**



a: Remove lightly the Bonalife cover.
b: Insert the screwdriver in the centre and slide it to the right.

c: Remove the front drawer.
d: Fit the front again pressing it straight.

Step 2 **Drawer ADJUSTMENT**



Height fitting

Side fitting

Important information

All glass sanitary ware is subject to the limitations of the manufacturing process. Unlike machine finished products, glass products shrink and move during high temperature casting and, because it is not possible to control this process absolutely, minor variations in the dimensional tolerance, form and surface of the finished products will occur.

Before installing a wooden bathroom into a new property, extension or recently plastered room we strongly advise the building/room is completely dry, well ventilated and adequately heated.



For any further information please contact Bauhaus on: 0345 873 8840
 Or visit our web-site at:
www.bauhaus-bathrooms.co.uk

The manufacturer reserves the right to make technical modifications without prior notice.