

# SPECIFICATION SHEET

**COLLECTION:** ORIGINS

**PRODUCT CODE:** ORI-233-CP



**DESCRIPTION:**

bath shower mixer  
with shower kit  
single lever  
floor mounted  
fixed spout  
with water flow straightener  
ceramic cartridge C-013-N40  
2 x 1/2" inlets  
minimum operating pressure 3.0 bar HP

**FINISH:**

Chrome

**FLOW REGULATOR:**

FR-FLEXI/8-PLA

**MINIMUM OPERATING PRESSURE:**

3.0 bar MP



tel: 01934 744466  
email: sales@vado.com  
www.vado.com

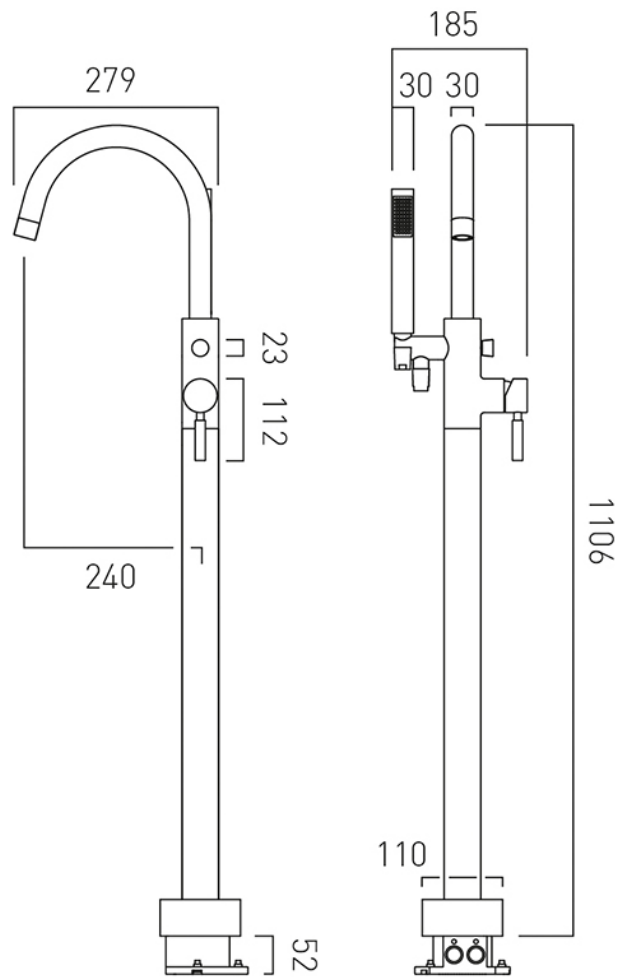
**where inspiration flows**  
taps | showering | accessories



# TECHNICAL DRAWING

**COLLECTION:** ORIGINS

**PRODUCT CODE:** ORI-233-CP



tel: 01934 744466  
email: sales@vado.com  
www.vado.com

**where inspiration flows**  
taps | showering | accessories

