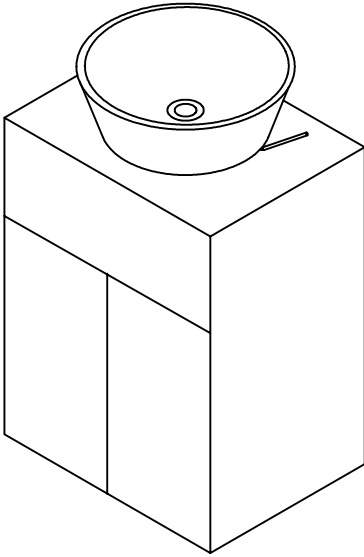


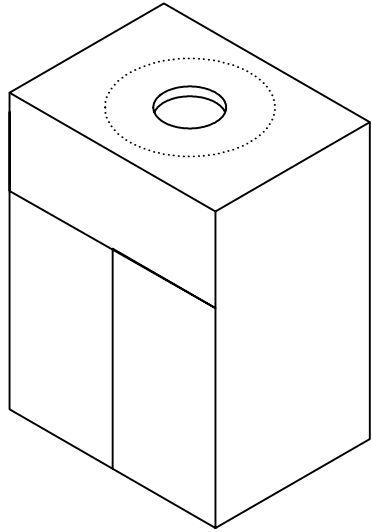
# COUNTER TOP BASIN/ VESSEL FITTING INSTRUCTIONS

1



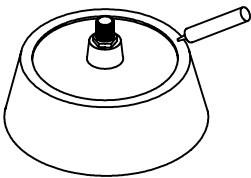
PLACE THE BASIN ON THE UNIT WORK TOP, MARK AROUND THE BASE, POSITION OF THE WASTE AND ANY TAP HOLES IF REQUIRED.

2



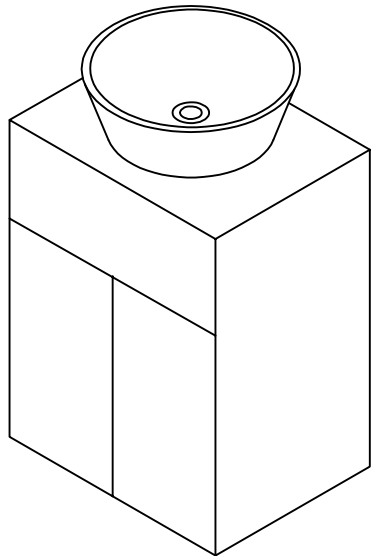
CUT OUT FOR THE WASTE ALLOWING FOR ACCESS (APPROX 120 mm DIA) MAKING SURE THE CUT OUT IS NOT VISIBLE WHEN THE BASIN IS IN PLACE. ALSO CUT OUT FOR ANY TAPS AND CONNECTIONS IF REQUIRED. ENSURE ALL CUT EDGES ARE SEALED AGAINST WATER INGRESS.

3



FIT THE WASTE MAKING SURE THAT THERE IS A GOOD SEAL, FIT ANY BRASSWARE AND CONNECTIONS IF REQUIRED AT THIS STAGE. APPLY A BEAD OF SILICONE AROUND THE BASE OF THE BASIN THAT WILL BE IN CONTACT WITH THE WORK TOP.

4



PLACE THE BASIN INTO POSITION ON THE WORK SURFACE AND PRESS DOWN TO MAKE A SEAL. CLEAN OFF ANY EXCESS SEALANT AND FINISH ACCORDINGLY. ALLOW TO SET FOLLOWING THE SEALANT MANUFACTURERS INSTRUCTIONS. WHEN FULLY SET MAKE THE CONNECTIONS FOR ALL THE SERVICES.