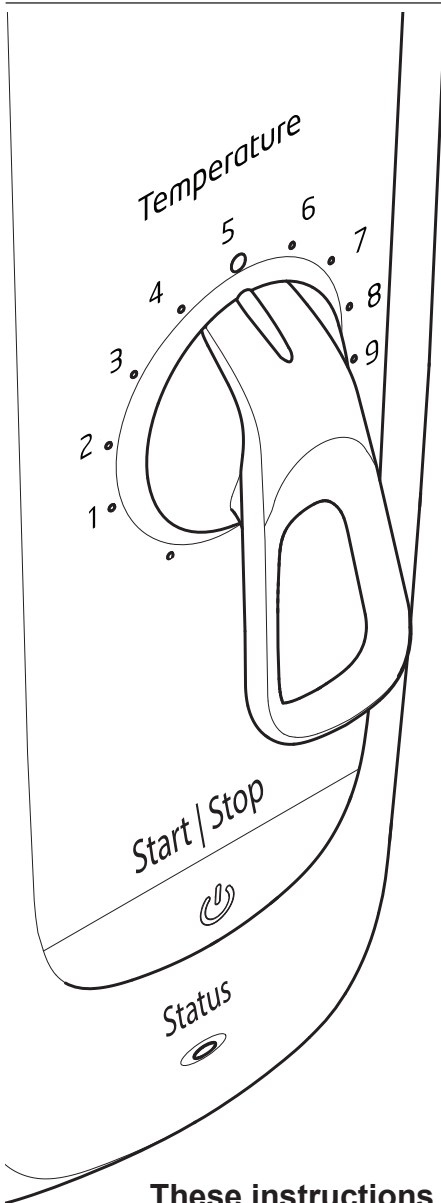


Mira Advance
THERMOSTATIC
ELECTRIC SHOWER
8.7 and 9.8 kW

**BEAB
CARE**

Intertek

**RNIB
approved**



These instructions must be left with the user

User Guide

Showering perfection

mira
SHOWERS

Introduction

Thank you for purchasing a quality Mira product. To enjoy the full potential of your new product, please take time to read this guide thoroughly, having done so, keep it handy for future reference.

Guarantee

For **domestic installations**, Mira Showers guarantee the Mira Advance against any defect in materials or workmanship for a period of **two years** from the date of purchase (shower fittings for one year).

For **non-domestic installations**, Mira Showers guarantee the Mira Advance against any defect in materials or workmanship for a period of **one year** from the date of purchase.

For Terms and Conditions refer to the website.

Safety Information

For continued safe operation, follow all instructions, warnings and cautions contained in this guide and on the shower unit. Failure to follow the instructions provided with the shower will invalidate the guarantee.

WARNING! TO REDUCE THE RISK OF FIRE, ELECTRIC SHOCK OR INJURY:

1. Installation of the shower must be carried out by qualified, competent personnel. Installers please read installation instructions before installing the shower.
2. The shower must be operated and maintained in accordance with the requirements of this guide. Make sure you fully understand how to operate the shower before use, read all instructions and retain this guide for future reference.
3. **DO NOT** remove front cover. Mains connections are exposed when the front cover is removed.
4. **DO NOT** switch the shower on if there is a possibility that the water in the shower unit or fittings is frozen.
5. **DO NOT** switch the shower on if water leaks from the shower unit. Isolate the electrical supply to the shower immediately.
6. **DO NOT** switch the shower on if the case appears to be damaged or incorrectly fitted. Isolate the electrical supply to the shower immediately.
7. The shower can be used by children aged from 8 years and above and persons with reduced physical, sensory or mental capabilities or lack of experience and knowledge if they have been given supervision or instruction concerning use of the appliance in a safe way and understand the hazards involved. Children must not be allowed to play with the shower.
8. **ALWAYS** check the water temperature is safe before entering the shower and after adjusting the temperature.

9. **DO NOT** allow children to clean or perform any user maintenance to the shower unit without supervision.
10. **DO NOT** connect the outlet of the shower to any tap, control valve, trigger handset or other device intended to restrict the water outlet flow. Fit only the Kohler Mira showerhead as supplied with this product, only Kohler Mira recommended accessories must be used.
11. **DO NOT** perform any unspecified modifications, drill or cut holes in the shower or fittings other than instructed by this guide. When servicing only use genuine Kohler Mira replacement parts.
12. If the shower is dismantled during installation or servicing then, upon completion, an inspection must be made to ensure all electrical connections are tight and that there are no leaks.
13. There are no user serviceable components beneath the cover of this appliance and **ELECTRICAL MAINS CONNECTIONS ARE EXPOSED IF THE COVER IS REMOVED**. Only a competent tradesperson should remove the cover.
14. The water supplies to this product must be isolated if the product is not to be used for a long period of time. If the product or pipework is at risk of freezing during this period they should also be drained of water.
15. **ALWAYS** switch off the appliance at electrical isolating switch when not in use.
16. **DO NOT** position the handset to spray water directly on to the appliance. E.g. when cleaning shower control.
17. The showerhead should be descaled regularly, a blocked showerhead can restrict the flow rate and may cause damage to the shower.

Using the Shower

Each time the shower is operated it will confirm its status during the start-up process, confirming the mode setting and when the temperature is reached. **Note!** Further temperature adjustments during showering will not confirm temperature has been reached.

Standard Mode

When starting in standard mode the product will beep once when the start/stop button is pressed and the amber status light & white start/stop light will pulse. When the set temperature has been achieved the lights will stop pulsing and the shower will beep to confirm

BEAB Mode

When starting in BEAB care mode the product will beep three times when the start/stop button is pressed and the green status light & white start/stop light will pulse. When the set temperature has been achieved the lights will stop pulsing and the shower will beep to confirm.

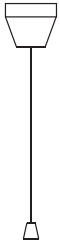
Starting from Cold

When starting the shower with temperature set in cold position the product will beep once when the start/stop button is pressed and the blue status light & white start/stop light will pulse, when full cold flow is achieved the lights will stop pulsing and the shower will beep to confirm. If the shower temperature is adjusted to a higher temperature from cold in either standard mode the amber status light or BEAB mode the green status light will be indicated but there will be no further indication to confirm set temperature has been achieved.

Operating the Shower

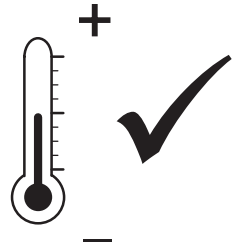
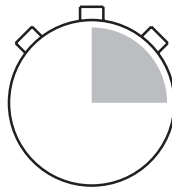
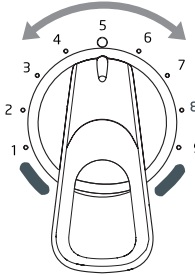
Read the section: '**Safety Information**' first.

1



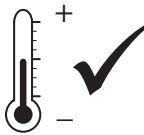
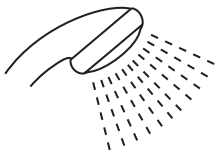
With the electrical supply turned on, press **Start/Stop**.

2



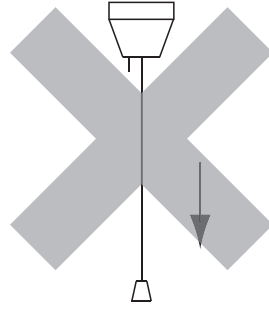
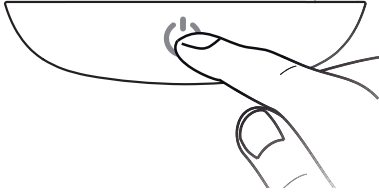
Adjust the temperature and allow approximately 30 seconds for any temperature adjustments to reach the showerhead. The start/stop and status lights will pulse while getting up to temperature and the shower will beep once temperature reached.

3



Check water temperature before entering shower.

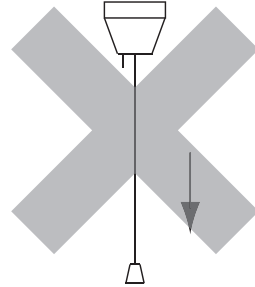
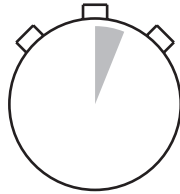
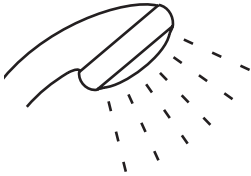
4



Press **Start/Stop** to shut down the shower. The pulsing start/stop light and "beep" indicates that the shower is shutting down.

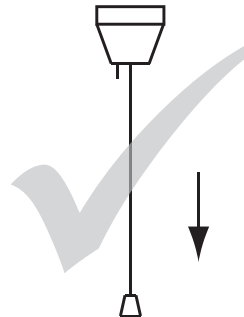
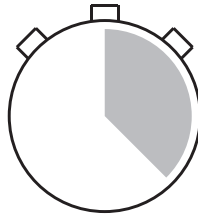
Important! DO NOT isolate the power to the shower.

5



The shower will purge water from its tank for a few seconds. **Important! DO NOT** isolate the power to the shower.

6



Wait until the water has stopped flowing and isolate the power to the shower, residual water may drain over a few minutes.

User Fault Diagnosis

Continuous Operation (over 30 minutes)

The shower has a built in timer to protect from accidental unattended operation. This feature automatically switches the shower off after 30 minutes of continuous use. The shower may be restarted in the normal way by pressing the start/stop button.

Hissing Sound

Note! High cold waters mains supply pressures may cause a slight hissing sound to be heard from the shower whilst it is operating. This is quite normal and does not indicate that there is a fault with the shower.

Shower not Hot Enough

For safety the shower can be set to deliver four different maximum temperatures.

In Standard mode. (1 beep when start/stop button pressed)
Set for either max 48°C, 45°C or 43°C (see standard mode 'Using your shower')

In BEAB mode (3 beeps when start/stop button pressed)
Set for max 41°C (see BEAB mode 'Using your shower')
If your shower is not hot enough please contact your installer before calling Kohler Mira

Shower Flow Performance

Priority for the shower is to keep the showering temperature constant.

The shower may have to automatically change the water flow rate to achieve this. Inlet water temperatures, water pressure and outlet temperature will all have an effect on flow rate.

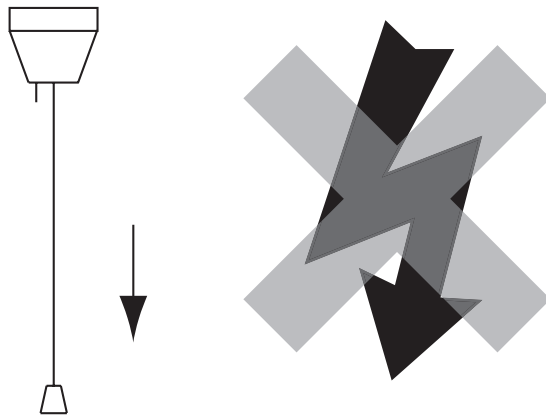
In the unlikely event that you experience problems with the shower, then the following procedures will enable basic troubleshooting before contacting a competent tradesperson

Warning! There are no user serviceable components beneath the cover of the shower. Only a competent tradesperson should remove the front cover. We recommend any maintenance work is carried out by a Mira service Engineer or similarly qualified tradesperson.

Reset the Shower

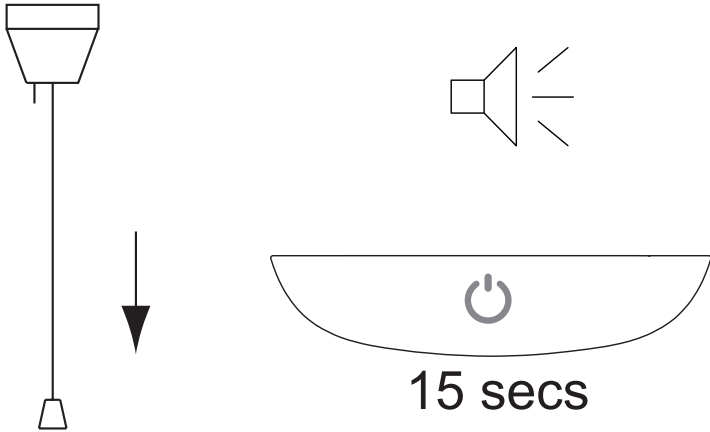
This is the first solution to the shower not operating (See below).

1



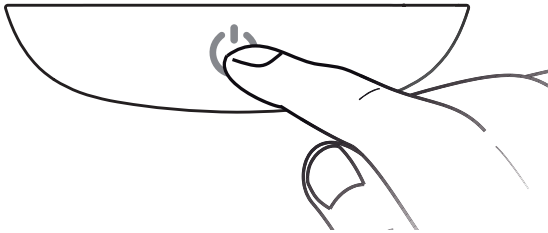
Isolate electrical supply.

2



Restore power to the shower. The shower may "beep" and the **Start/Stop** button should illuminate.

3



Operate the shower, refer to section: '**Using the Shower**'. If the shower is linked to a Whale Instant Match Shower Drain Pump, check there is power to the pump.

4



If the failure continues after resetting, there are a few basic supply checks that can be performed.

Basic Supply Checks

- Check there is electricity still supplied to the appliance (lights and/or beeps will confirm this). If in any doubt, contact a qualified electrician. If a short power cut has occurred during use, the shower will automatically reset and be ready when the white start/stop light is illuminated. Check all plumbing isolator valves to the shower are fully open.
- A section of supply pipe is frozen. Allow to thaw and insulate the pipe.
- Hot water may be retained within the shower causing a failure to continue even though the underlying cause may have been corrected. This may be caused by a brief interruption to either the electric or water supplies while the shower is running, or incorrectly stopping the shower with the isolator switch. Allowing the water to cool or turning the shower on in full cold position to remove any residual hot water before use should clear this error.

Note! some hot water may flow from the showerhead during this process, make sure that the showerhead is pointing in a safe direction into the shower tray

Error Codes

Status Indication Status 	Start/Stop Indication 	Error Code	Possible Cause Rectification
Flashing Red	Flashing	A	<p>No Water Flow</p> <ol style="list-style-type: none"> 1. Check isolator valves are fully open. 2. Check that the hose /showerhead is not blocked. 3. Isolate the electrical supply at the pull cord for a few seconds, turn the shower to full cold position, then re-apply power and operate the shower.
Flashing Red	Off	B	<p>Flex Extra Models Only: Incorrect Pump or Not Paired</p> <ol style="list-style-type: none"> 1. Check that the drain pump is operational.

Flashing Red/White	Flashing	I	<p>Incorrect Shutdown</p> <ol style="list-style-type: none"> 1. Isolate the electrical supply at the pull cord for a few seconds, turn the shower to full cold position, then re-apply power and operate the shower. 2. Water pressure too low or other outlets being used while showering causing a reduction pressure. 3. Check isolator valves are fully open. 4. Check that the hose /showerhead is not blocked.
-----------------------	----------	---	---

Note! If any of the button lights are flashing or pulsing continuously (in excess of 15 seconds) this may indicate that the button is stuck, this can be avoided by keeping the unit clean.

There are a number of other Error Codes with different light sequences. However, these are not user repair error codes and you should contact your installer or refer to the **Support Section** on the Kohler Mira website, www.mirashowers.co.uk.

User Maintenance

Cleaning

Many household cleaners contain abrasives and chemical substances, and should not be used for cleaning plated or plastic fittings. These finishes should be cleaned with a mild washing up detergent or soap solution, and then wiped dry using a soft cloth.

De-scaling the Showerhead

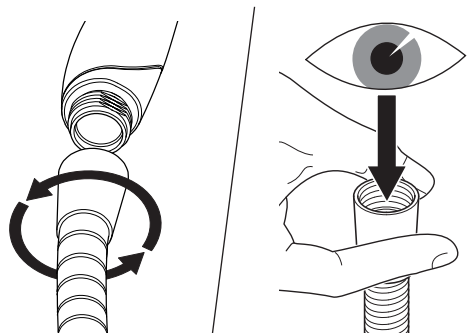
Important! The showerhead should be descaled regularly, a blocked showerhead can restrict the flow rate and may cause damage to the shower (refer to the fittings guide for further information).

Use your thumb or a soft cloth to wipe any limescale from the nozzles. In extreme cases, the sprayplate may need to be removed and descaled (refer to the fittings guide for further information).

Inspecting the Hose

Important! The shower hose should be inspected periodically for damage or blockage. A blockage can restrict the flow rate from the showerhead and may cause damage to the shower.

1. Unscrew the hose from the showerhead and the shower outlet.
2. Inspect the hose.
3. Replace if necessary.



Notes

Customer Service

Guarantee

Your product has the benefit of our manufacture's guarantee which starts from date of purchase. This guarantee only applies in the United Kingdom and Republic of Ireland. To activate this guarantee, please return your completed registration card, visit our website or free phone 0800 5978551 within 30 days of purchase (UK only).

Within the guarantee period we will resolve defects in materials or workmanship, free of charge, by repairing or replacing parts or product as we may choose.

This guarantee is in addition to your statutory rights and is subject to the following conditions :

- The guarantee applies solely to the original installation under normal use and to the original purchaser only. The product must be installed and maintained in accordance with the instructions given in this guide.
- Servicing must only be undertaken by us or our appointed representative.
Note! If a service visit is required the product must be fully installed and connected to services.
- Repair under this guarantee does not extend the original expiry date. The guarantee on any replacement parts or product ends at the original expiry date.
- For shower fittings or consumable items we reserve the right to supply replacement parts only.

The guarantee does not cover:

- Call out charges for non product faults (such as damage or performance issues arising from incorrect installation, improper use, inappropriate cleaning, lack of maintenance, build up of limescale, frost damage, chemical attack, corrosion, system debris or blocked filters) or where no fault has been found with the product.
- Water or electrical supply, waste and isolation issues.
- Compensation for loss of use of the product or consequential or indirect loss of any kind.
- Damage or defects caused if the product is repaired or modified by persons not authorised by us or our appointed representative.
- Routine maintenance or replacement parts to repaired or modified by persons not authorised by comply with the requirements of the TMV2 or repaired or modified by persons not authorised by TMV3 healthcare schemes
- Accidental or wilful damage.
- Products purchased ex-showroom display.

What to do if something goes wrong

If your product does not work correctly refer to this manual for fault diagnosis and check that it is installed and commissioned in accordance with our instructions. If this does not resolve the issue, contact us for help and advice.



Helpdesk Service

Contact our Customer Services Team for product advice, to purchase spare parts or accessories or to set up service visit. You can contact us via phone or e-mail - contact details below. Please provide your model name, power rating (if applicable) and date of purchase.



Mira Showers Website

www.mirashowers.co.uk

Visit our website to register your guarantee, download user guides, diagnose faults, purchase our full range of accessories and popular spares, or request a service visit.



Spares and Accessories

We hold the largest stocks of genuine Mira spares and accessories. Contact us for a price or visit our website to purchase items from our accessory range and popular spares. (Only available in the United Kingdom)



Service/Repairs

No one knows our products better than our nationwide team of Service Technicians. We can carry out service or repair work to your product both during and after the guarantee period. (Only available in the United Kingdom and Republic of Ireland) Ask about our fixed price service repairs.

To Contact Us: UK



0844 571 5000

Calls cost 7p per minute plus your phone company's access charge



Fax: 01242 282595



Email – Visit

www.mirashowers.co.uk/contactus



By Post: **Mira Customer Services Dept, Cromwell Road, Cheltenham, Gloucestershire GL52 5EP**

To Contact Us: Eire Only



01 531 9337



E-mail:

CustomerServiceEire@mirashowers.com

*Mira is a registered trade mark of
Kohler Mira Limited.*

*The company reserves the right to alter
product specifications without notice.*



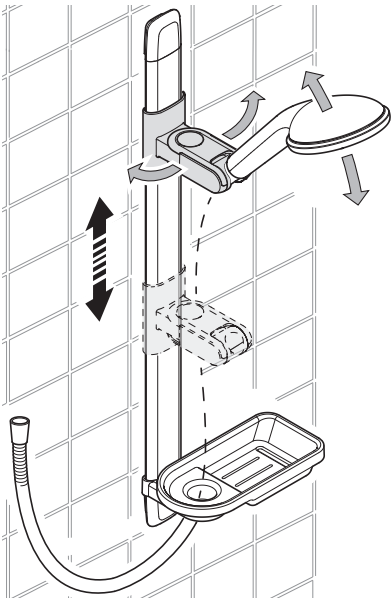
mira
SHOWERS

Operation

Spray Settings

1. The handset has three spray settings (Coverage, Soft and Task). Turn the spray adjuster to activate the different spray settings.

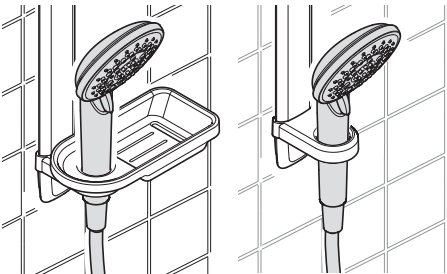
Clamp Bracket Adjustment



2. Slide the Clamp Bracket up and down the Slide Rail until the Showerhead is positioned to your preference.

Parking Socket

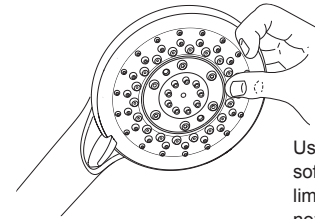
3. The Soap Dish (if fitted) and Hose Retaining Ring / Soap Dish Support can also be used as a parking socket for the Showerhead.



Cleaning and User Maintenance

De-scaling the Showerhead

Important! Keeping the showerhead clean and free from limescale will ensure that your shower and showerhead continue to perform to their maximum. A blocked showerhead can restrict the flow rate and may cause damage to your shower.

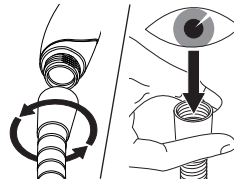


Use your thumb or a soft cloth to wipe any limescale from the nozzles

Inspecting the Hose

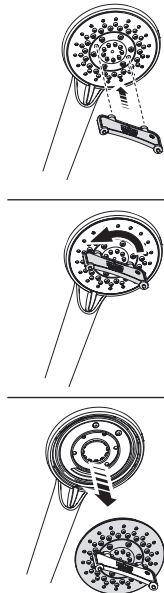
Important! The shower hose should be inspected periodically for damage or internal collapse, internal collapse can restrict the flow rate from the showerhead and may cause damage to the shower.

1. Unscrew the hose from the showerhead and the shower outlet.
2. Inspect the hose.
3. Replace if necessary.

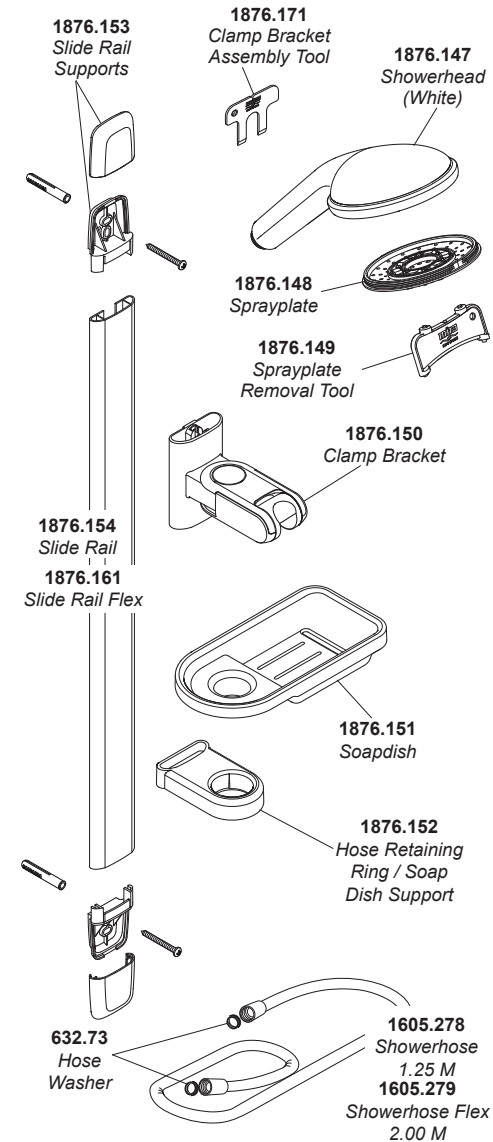


Sprayplate Removal

1. Insert the 2x prongs of the Spray Plate Removal Tool into the corresponding holes in the sprayplate. Turn the removal tool anti-clockwise and unscrew the sprayplate from the showerhead body.
2. Clean all the components with a stiff brush. If necessary use a plastic kettle descaler in accordance with the manufacturer's instructions. Flush thoroughly with water before the shower is used.
3. Refit the components in reverse order. Take care not to cross thread the sprayplate.

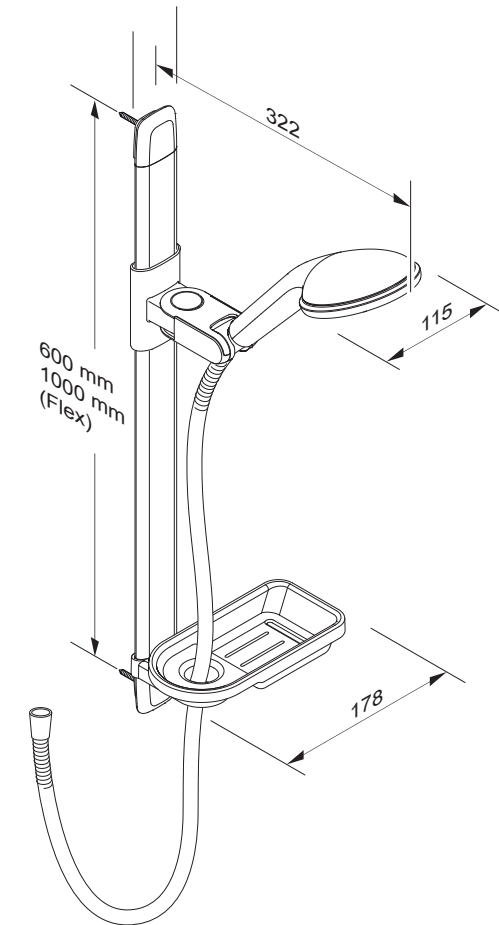


Spare Parts



Mira Advance Shower Fittings

Installation & User Guide



To Contact Us: UK

0844 571 5000

Calls cost 7p per minute plus your phone company's access charge

www.mirashowers.co.uk - Full details of the manufacturer's guarantee is available on the website.

These instructions must be left with the user

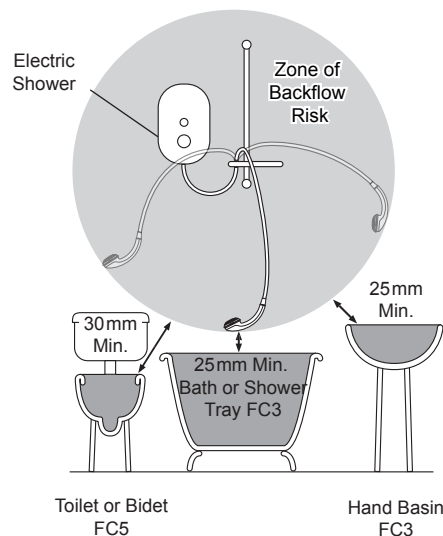
Showering perfection **mira**
SHOWERS

Specifications

Minimum maintained water pressure	0.1 bar (10 kPa)
Maximum maintained water pressure	2.0 bar (500 kPa)

General

1. Installation of the shower fittings must be carried out in accordance with these instructions by qualified, competent personnel.
2. The plumbing installation must comply with all national or local water regulations and all relevant building regulations, or any particular regulation or practice specified by the local water supply company.
3. Install the shower fittings over a water catchment area and position so that the water discharges down the centre line of the bath, or across the opening of a shower cubicle. The handset should direct the water away from the shower unit.
4. Do not fit any form of flow control in the outlet pipe work if the shower fittings are installed in conjunction with a product that requires the fittings to act as a vent (e.g. an electric shower).
5. Do not use excessive force when making connections.
6. Avoid layouts where the shower hose will be sharply kinked. This may reduce the life of the hose.
7. Special consideration should be given to the fixing arrangements when installing onto a dry lined, stud partition, shower cubicle or laminated panel wall structures. Installers may wish to obtain alternative proprietary cavity fixings, or choose other options, however, these methods of fixing are beyond the scope of this guide.
8. The position of the shower fittings must provide a minimum air gap of 25mm between the showerhead and the spill over level of any bath, shower tray or basin. There must be a minimum distance of 30mm between the showerhead and the spill over lever of any toilet, bidet or other appliance with a Fluid Category 5 backflow risk.



Hose Retaining Ring Fitted and Shower Fittings Fixed at a Suitable Height Preventing Dirty Water Backflow

Note! There will be occasions when the hose retaining ring will not provide a suitable solution for Fluid Category 3 installations. In these instances an outlet double checkvalve must be fitted, this will increase the required supply pressure typically by 10 kPa (0.1 bar).

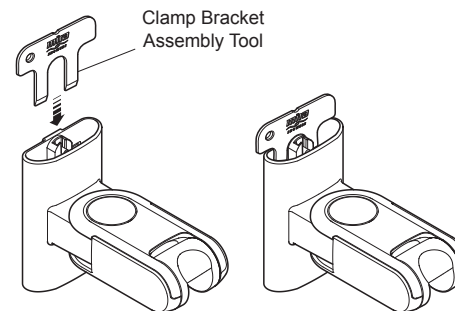
Double checkvalves fitted in the inlet supply to the appliance cause a pressure build up, which affects the maximum static inlet pressure for the appliance and must not be fitted. For Fluid Category 5, double checkvalves are not suitable.

Installation

1. Carefully remove the protective film from the Slide Rail.
2. Fit the clamp bracket assembly tool into the clamp bracket as shown in the diagram. It should be pushed behind the spring loaded clamping mechanism to allow the bracket to easily push onto the slide bar.

Note! The clamp bracket assembly tool will only work correctly on the top side of the clamp bracket
3. Push the Clamp Bracket down onto the Slide Rail.

Note! The Clamp Bracket Assembly Tool will eject as the Clamp Bracket fits onto the rail.
4. Move the clamp bracket assembly up and down the rail several times after fitting to ensure a smooth operation.



5. Slide the Hose Retaining Ring / Soap Dish Support onto the Rail.
6. Push the End Brackets into each end of the Slide Rail. Make sure that each support is pushed home firmly.
7. Hold the Slide Rail Assembly against the wall in the desired position.

Note! Ensure the Clamp Bracket is fitted in the correct orientation.
8. Using the Slide Rail Brackets as a template, mark the positions of the top and bottom fixing holes.

DO NOT drill through the Slide Rail Brackets into the wall.

Note! To allow slight adjustments to the Slide Rail mark one of the vertical oval holes and one of the horizontal oval holes.

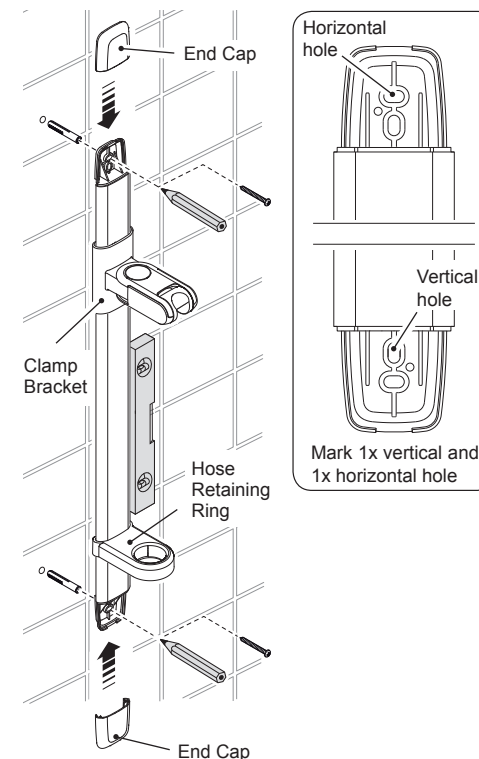
Fit the Slide Rail to the wall and tighten the screws, ensure the rail is vertical.

9. Check that the slide rail is vertical then drill two 8 mm fixing holes.
10. Fit the wall plugs.
11. Fit the End Caps to the Slide Rail.
12. Align the Soap Dish and the Hose Retaining Ring / Soap Dish Support as indicated, then push down to join them together.
13. Twist the Soap Dish to the left or right to lock into position.

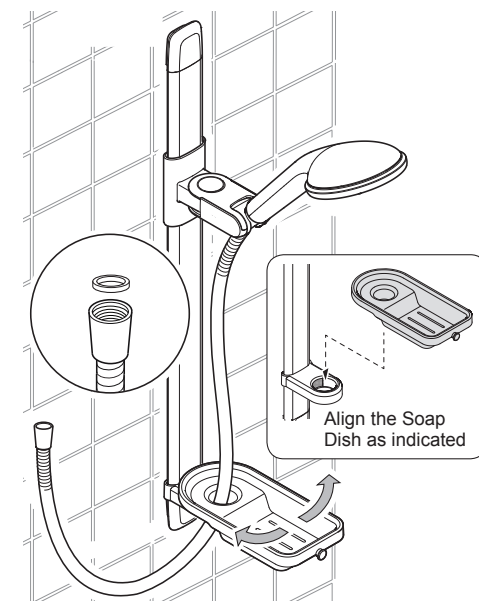
Note! If space is limited, fitting the Soap Dish is optional but the Hose Retaining Ring should always be fitted.
14. Fit the Hose Washer into the hose then screw the hose onto the Showerhead.

DO NOT overtighten.

Note! Use the additional Hose Washer if required.
15. Pass the Hose through the Hose Retaining Ring and Soap Dish (if fitted), then attach the Hose to the outlet of the shower control. Make sure the Hose Washer is fitted.
16. Place the Showerhead into the Clamp Bracket.



Handset Installation

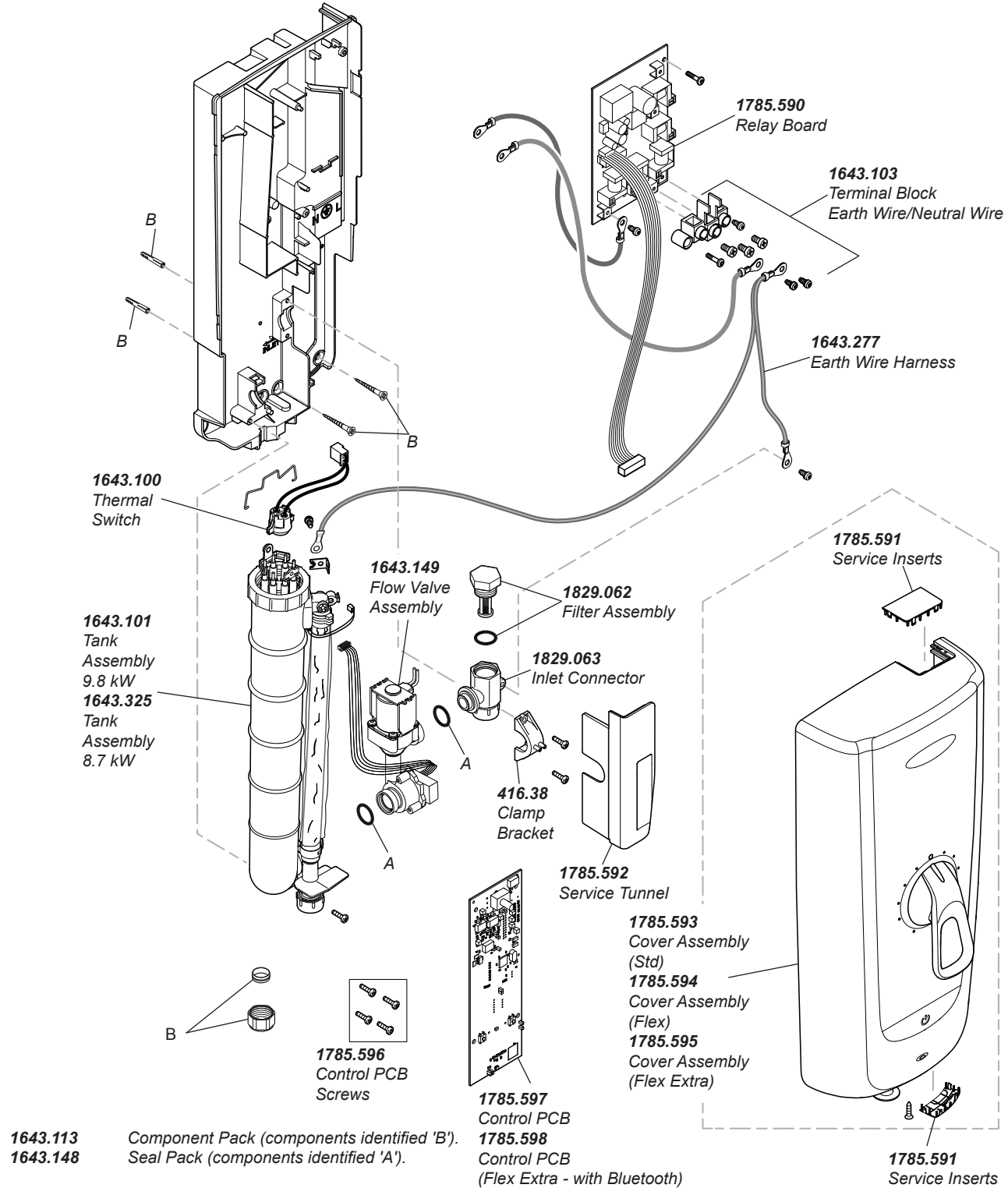


Mira Advance

THERMOSTATIC ELECTRIC SHOWER



1.1785.001	J09A	8.7 kW
1.1785.002	J09D	9.8 kW
1.1785.003	J09G	8.7 kW
1.1785.004	J09K	9.8 kW
1.1785.005	J09N	8.7 kW



Mira electric showers are provided with a two year warranty and spare parts are available free of charge during that period with a valid proof of purchase. For showers outside of the warranty period, spare parts are available to purchase direct, alternatively we have Mira technicians who can repair your shower for you. For further information visit www.mirashowers.co.uk or to check availability of spare parts for this shower or enquire about our repair service please contact our customer service on 0844 571 5000.

1346027-W8-A

