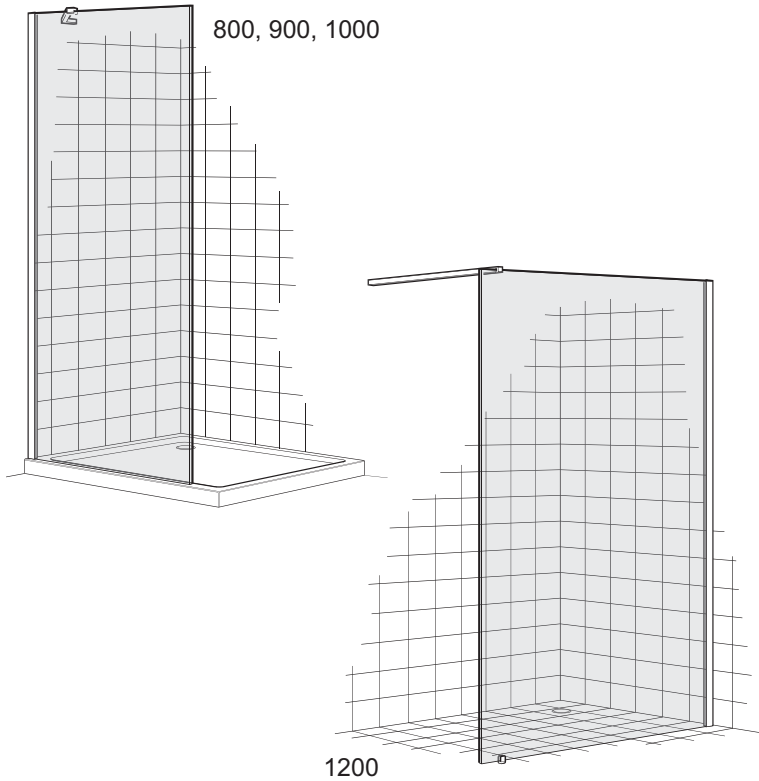


Leap Divider Panel



These instructions must be left with the user

Installation Guide

mira
SHOWERS

INTRODUCTION

Thank you for purchasing a quality Mira product. To enjoy the full potential of your new product, please take time to read this guide thoroughly, having done so, keep it handy for future reference.

The following pages aim to provide comprehensive installation instructions, plus advice on how to care and maintain your product.

We recommend that the unit is installed by a qualified plumber or engineer.

GENERAL INFORMATION

General

1. Read all of these instructions and retain this guide for later use.
2. Pass on this guide in the event of change of ownership of the installation site.
3. Follow all warnings, cautions and instructions contained in this guide.
4. Remove all protective tape from the enclosure before installation.
5. Excessive flow rates may lead to overflowing and leaking.
6. Water Spray may extend beyond the entrance of walk-in enclosures and we recommend tiling of the adjacent area.
7. We recommend a drainage test is carried out to ensure the waste is adequate for the flow delivered.
8. Doors that open outwards may drip water onto floor, ensure the floor covering will not be affected by water.
9. Walk ins and divider panels are designed to minimise water escaping outside the enclosure but by their very nature are not fully water tight.

Safety Information

1. Care should be taken when drilling into walls and floors to avoid any hidden pipes or wires.
2. We strongly recommend that all glass panels are moved by a minimum of two people and that any protective packaging along the glass edges is kept in place for as long as possible to prevent damage before installation.
3. During installation we recommend additional help in lifting heavy doors and side panels.
4. Wear protective footwear when lifting panels.
5. Wear safety glasses when drilling.

Before Fitting the Enclosure

1. Ensure the tray is level and walls are vertical and square.
2. Shower fittings should be positioned such that water discharges down the centre line of a bath or across the opening of a shower cubicle door.
3. Ensure water is not directed at the shower door or side panels. This could result in water spraying outside of the enclosure.
4. Ensure the door opening is positioned correctly and is adequate for all users.
5. Ensure there is a complete silicone seal between the tray and finished wall.
6. Ensure the door is undamaged and no parts are missing.

7. Ensure the size of door/panel is suitable for the installation. Tempered safety glass cannot be cut.
8. Ensure nothing can impact the door or glass panels during operation.

When Fitting the Enclosure

1. The wall channels must be installed onto a tiled or waterproof finished flat and even wall surface. Failure to do so will result in an unsatisfactory seal, which may cause property damage.
2. We recommend our enclosures are fitted onto shower trays.
Warning! The use of grout/tile cleaners, scale removers, abrasive scourers, drain unblockers and other powerful detergents may lead to damage of metallic, plated and plastic surfaces, including the tray and shower waste.

Use of the Enclosure

1. High water pressure and flow may lead to excessive splashing causing water to escape outside of the enclosure.
2. In certain circumstances such as cleaning, water sprayed directly at the seals may escape outside of the enclosure.

GUARANTEE

For **domestic installations**, your enclosure has the benefit of our lifetime guarantee which starts from date of purchase.

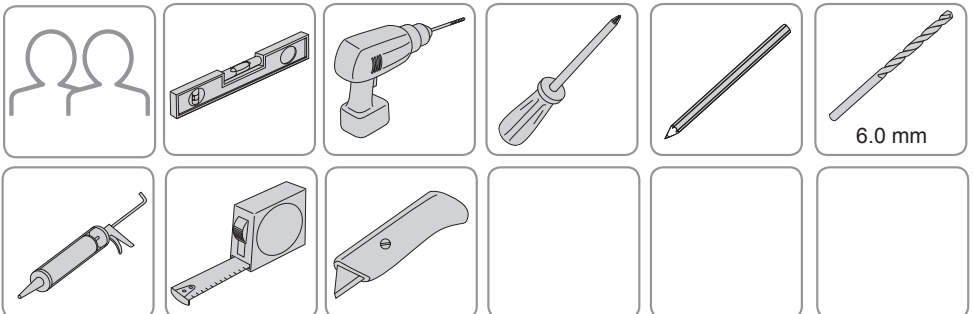
For **non-domestic installations**, we guarantee the product against any defect in materials or workmanship for a period of one year from the date of purchase.

For terms and conditions refer to the back cover of this guide.

RECOMMENDED USAGE

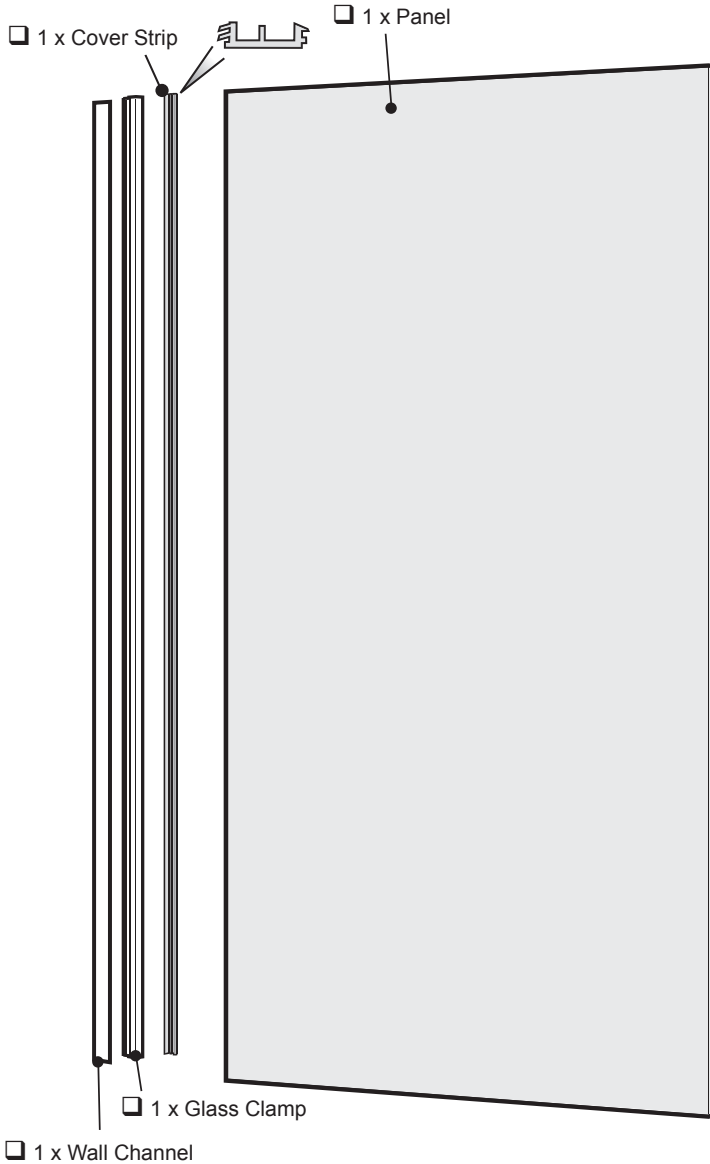
Domestic	✓
Light Commercial	✓
Heavy Commercial	✗
Healthcare	✗

TOOLS REQUIRED



PACK CONTENTS

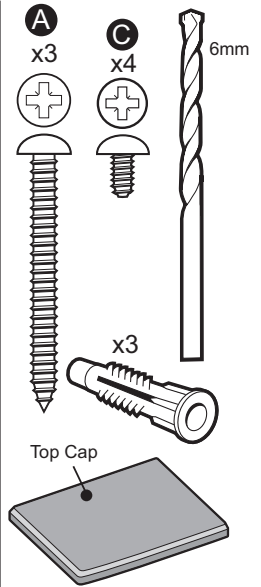
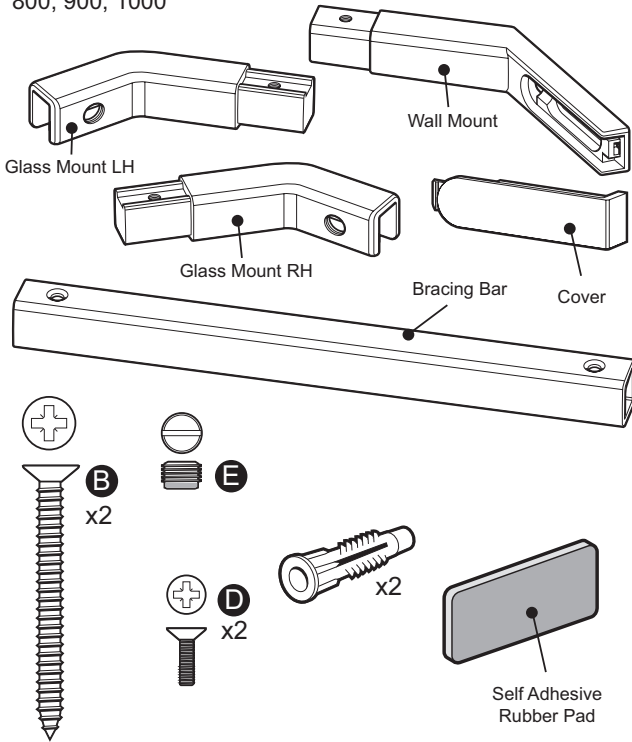
Tick the appropriate boxes to familiarise yourself with the part names and to confirm that all of the parts are included.



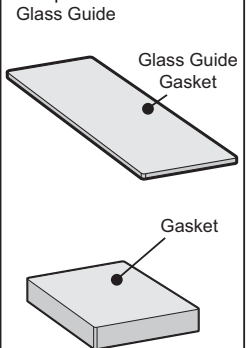
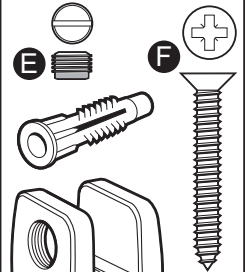
Documentation

1 x Guarantee Registration Document

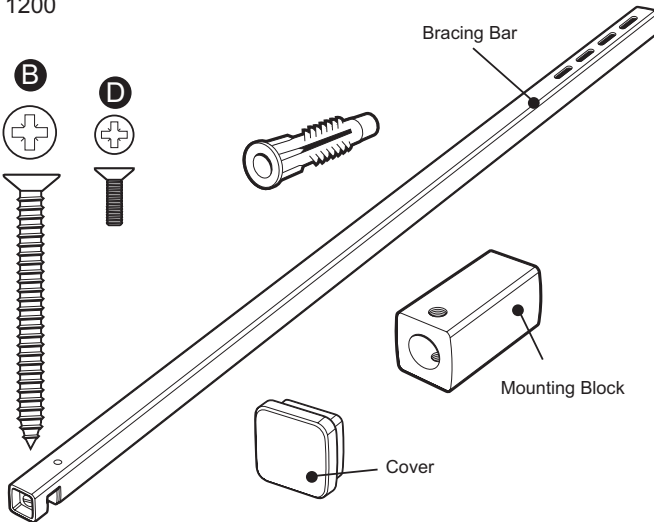
800, 900, 1000



Wet Room Kit



1200



TRAY FITTING (See Step 7 for Wet Room Fitting)

Mark the position of the wall channel.

The unit is reversible. LH fitting shown. RH is a mirror image of these instructions.

11mm

±0mm

IMPORTANT:
Tray **MUST** be level along front edge.

STEP 1

Fit the wall channel to the wall.

Wall channel **MUST** be vertical on the front face

±0mm

11mm

x3

6mm

x3

x3

A

STEP 2

Carefully lift the divider panel into place.

Caution

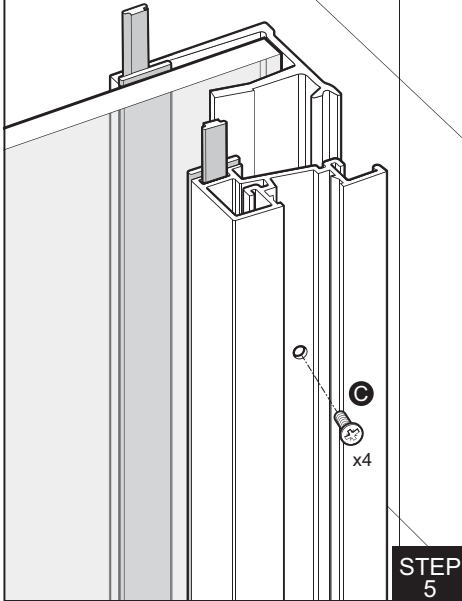
STEP 3

Rest panel against seal of wall channel.
SUPPORT THE GLASS PANEL UNTIL THE GLASS CLAMP IS FITTED.

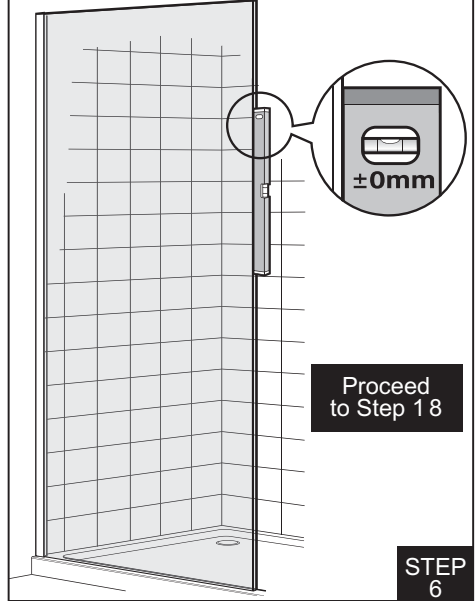
Push the glass fully into the wall channel.

STEP 4

Fit the glass clamp and turn the screws until it very lightly grips the glass.



Check the glass panel is vertical then fully tighten the glass clamp screws. Retighten after 10 minutes.

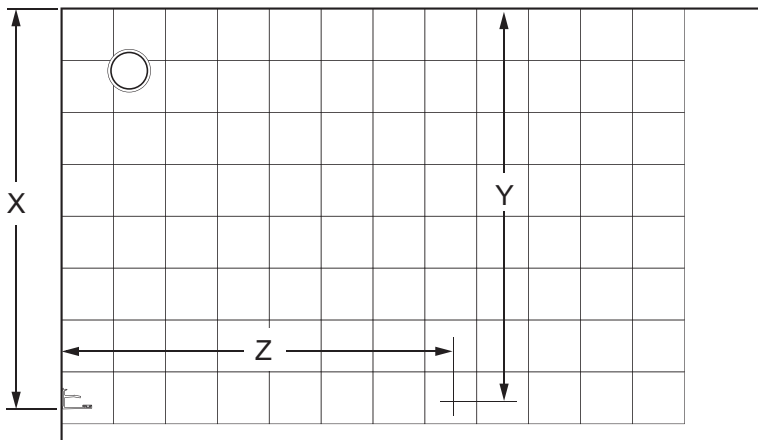


WET ROOM FITTING

For 800, 900, 1000 panels the position of the wall channel is set by the fitter.

For a 1200 panel distance 'X' can up to a maximum of 988mm. If the dimension is set between 964 and 988mm, between 864 and 888mm, between 764 and 788mm or between 724 and 748mm the pre-drilled slots in the bracing bar can be used. For any other dimension an extra hole will need to be drilled in the bracing bar.

Mark the position for the glass guide on the floor. Dimension 'Y' is the same as dimension 'X' MINUS 11mm. Dimension 'Z' equals 708mm on a 800 panel, 808mm on a 900 panel, 908mm on a 1000 panel and 1108mm on a 1200 panel.



Fit the wall channel to the wall.

±0mm

Wall channel MUST be vertical on the front face

The gasket fits under the wall channel.

x3

6mm

x3

x3

A

STEP 8

Drill a 6mm hole in the floor for the glass guide and fit plug.

6mm

STEP 9

Fit the locking screw into the glass guide.

E

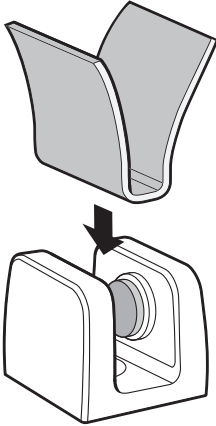
Screw the glass guide and gasket to the floor ensuring the locking screw is on the inside of the enclosure.

F

Inside

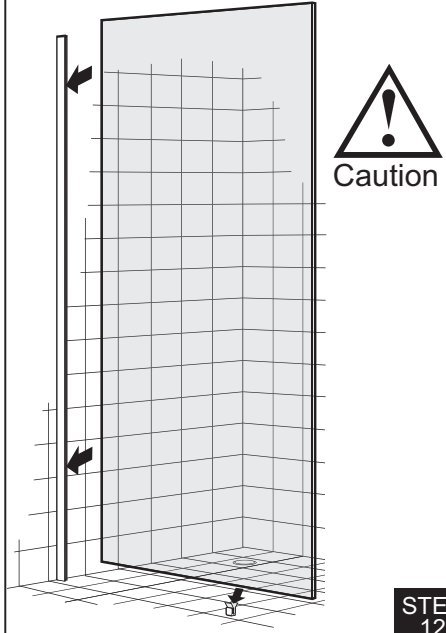
STEP 10

Fold the gasket and place in the glass guide.



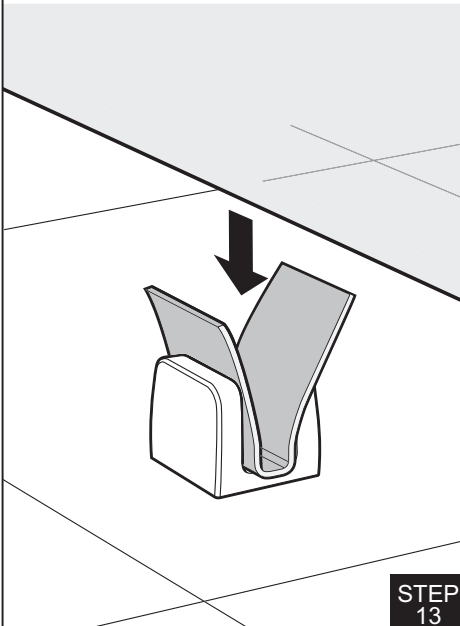
STEP
11

Carefully lift the divider panel into place.



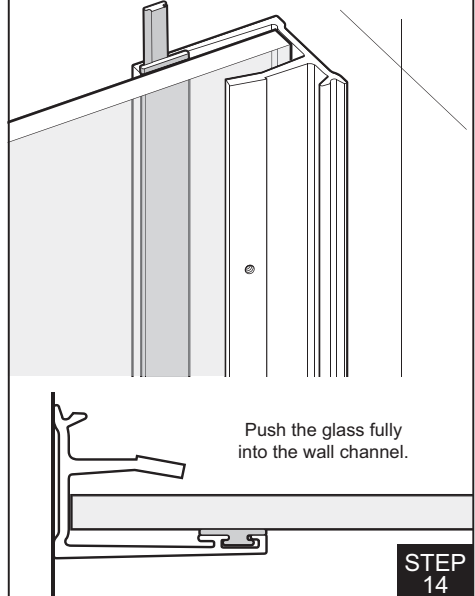
STEP
12

Fit the panel into the glass guide ensuring the gasket is on both sides of the glass.



STEP
13

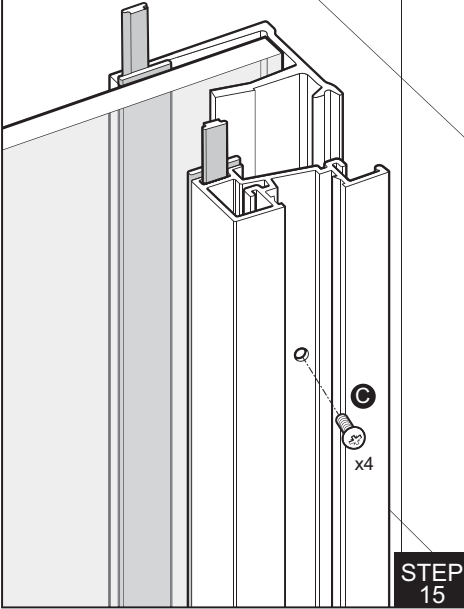
Rest panel against seal of wall channel.
SUPPORT THE GLASS PANEL UNTIL THE GLASS CLAMP IS FITTED.



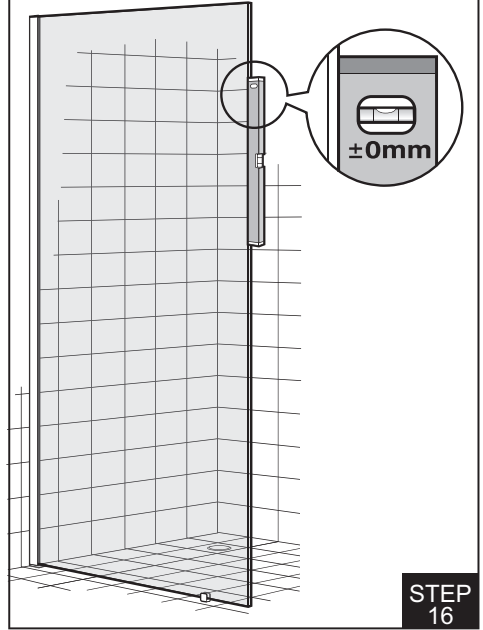
Push the glass fully into the wall channel.

STEP
14

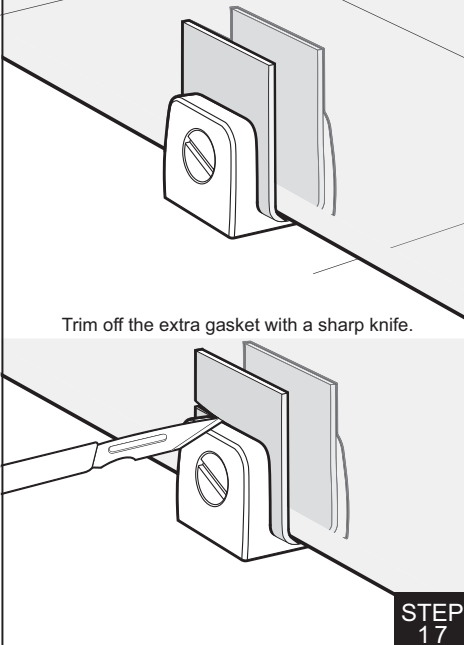
Fit the glass clamp and turn the screws until it very lightly grips the glass.



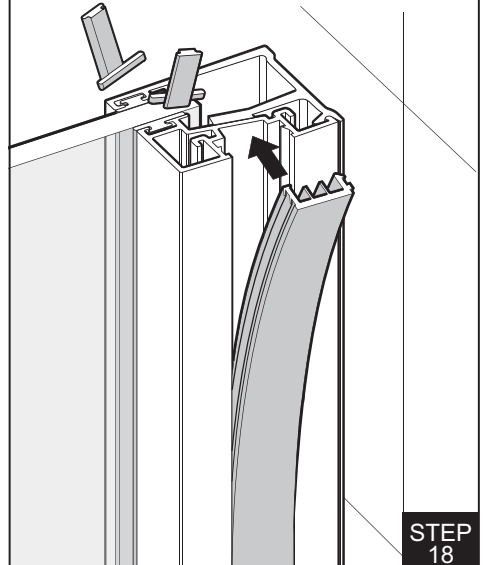
Check the glass panel is vertical then fully tighten the glass clamp screws. Retighten after 10 minutes.



Tighten the screw on the glass guide.



Cut off exposed glass seal with a sharp knife.
Fit the cover strip.



800, 900 & 1000 Only
Assemble the bracing bar using the correct parts for a LH or RH enclosure.

LH glass mount

RH glass mount

Fixing holes should be on top of the bracing bar

Wall mount is reversible

STEP 19

Push the glass mount and the wall mount into the end of the bracing bar and fit screws.

STEP 20

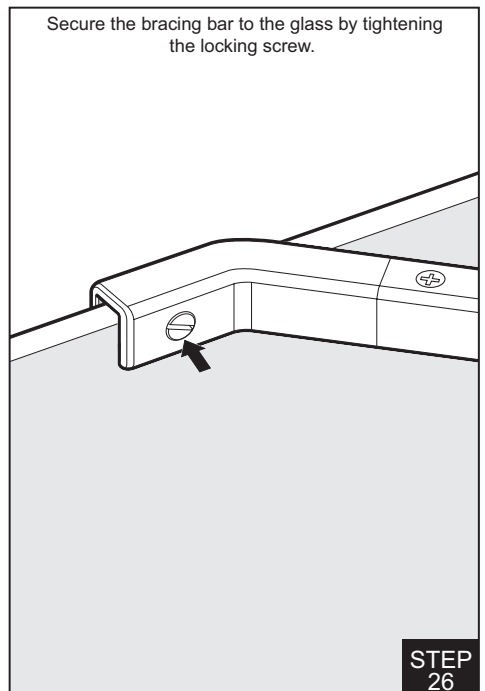
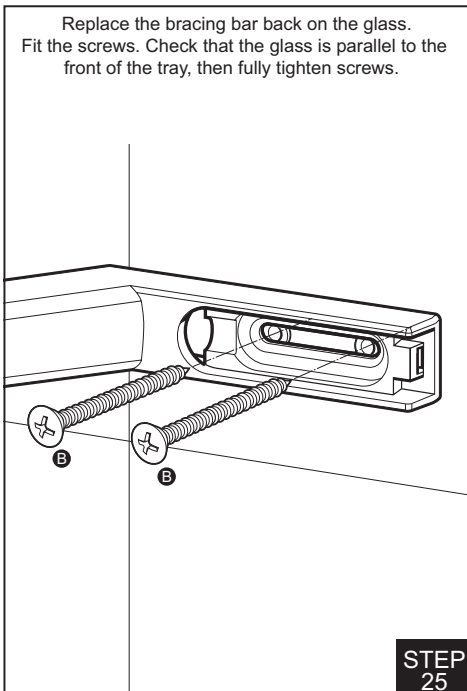
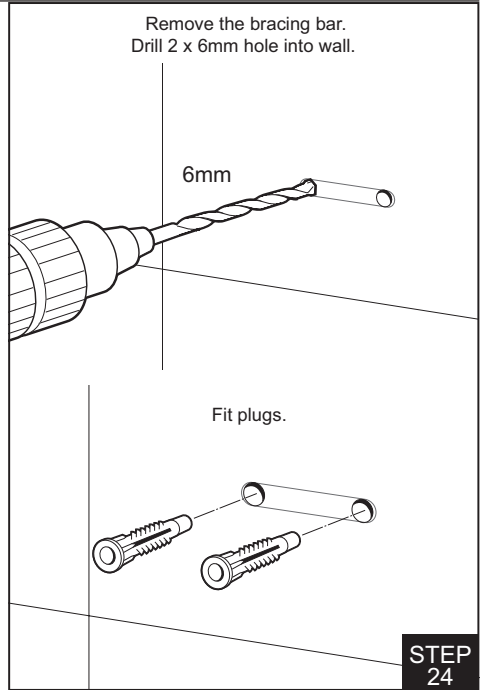
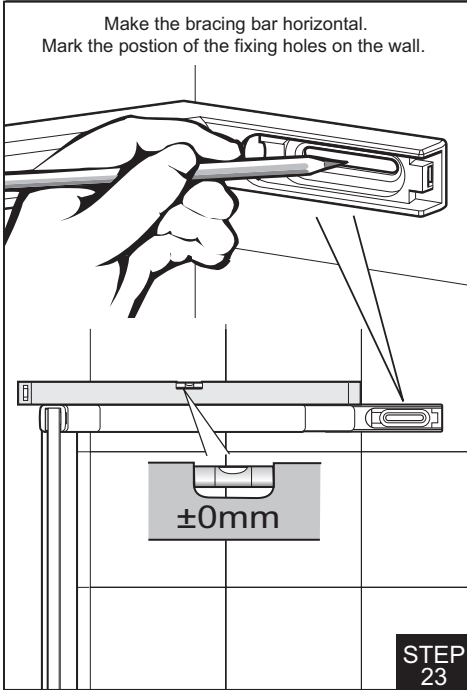
Fit the locking screw to the glass mount.

Peel the backing off the rubber pad and stick the pad to the inside of the glass mount. (Fit to the opposite side from the locking screw).

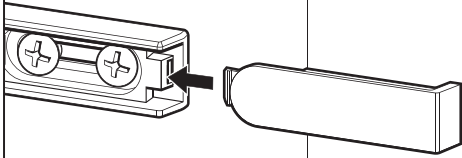
STEP 21

Ensure the panel is parallel to the front of the tray. Place the bracing bar on top of the glass.

STEP 22



Slide the cover on to the end of the bracing bar until it locks in place.



Proceed
to Step 38

STEP
27

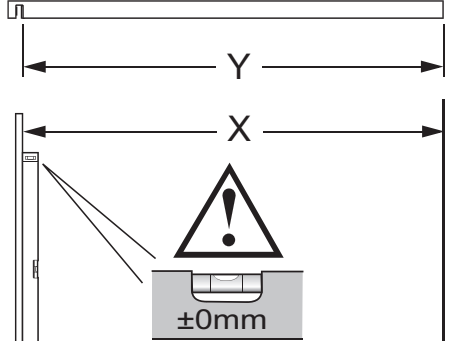
1200 Panel Only

Ensure the panel is vertical. At the outer corner of the glass measure the distance from the top of the glass to the back wall "X".

Measure the bracing bar from the back edge of the glass cutout to the wall end "Y".

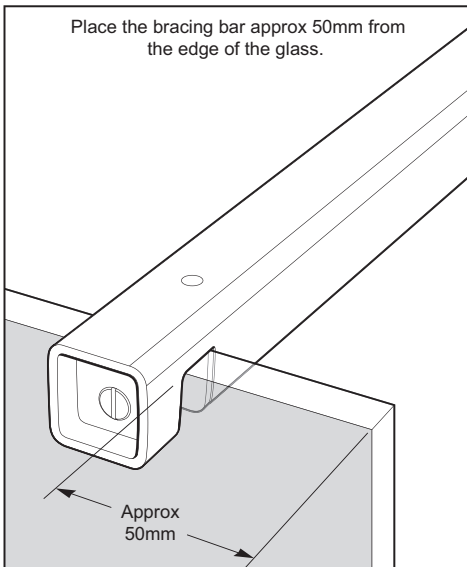
If required trim the bracing bar so that dimensions "X" & "Y" are equal.

Always cut the bracing bar at the wall end with a fine tooth hacksaw.



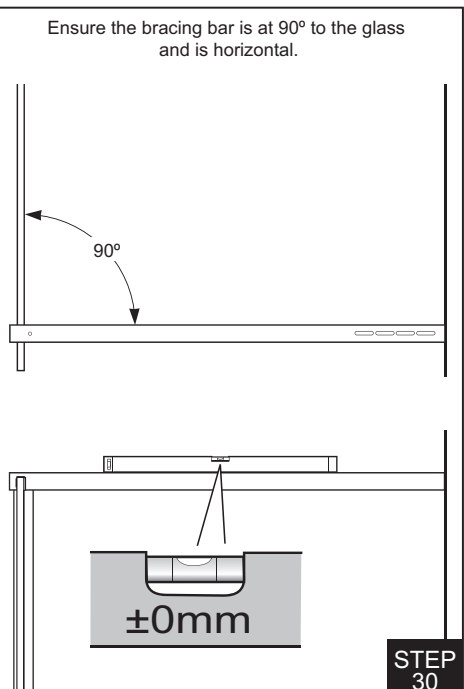
STEP
28

Place the bracing bar approx 50mm from the edge of the glass.



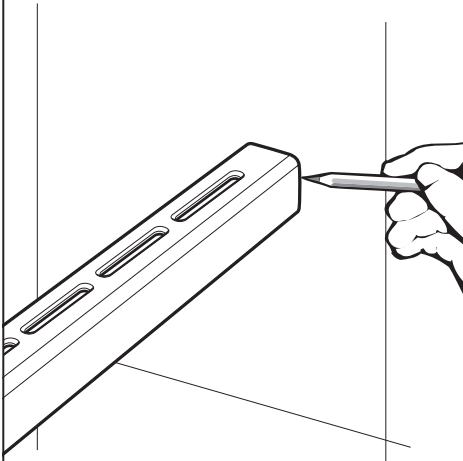
STEP
29

Ensure the bracing bar is at 90° to the glass and is horizontal.



STEP
30

Mark the outline of the bracing bar on the wall.

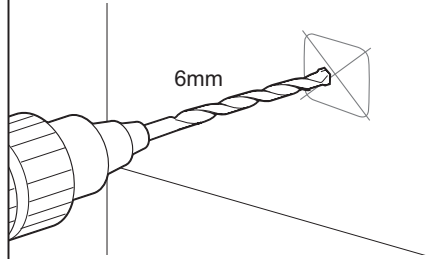


STEP
31

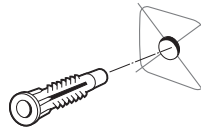
Remove bracing bar.
Find the centre.



Drill a 6mm hole into wall.

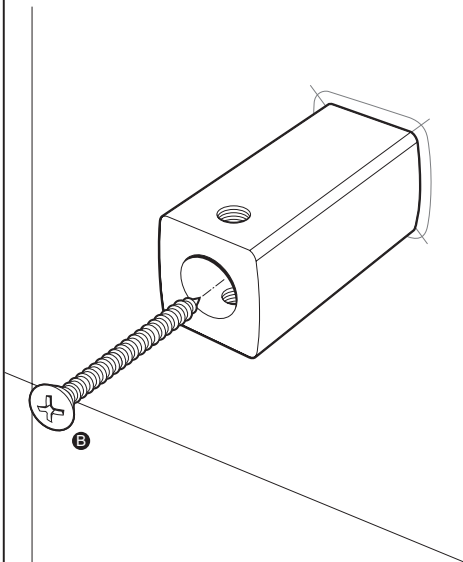


Fit plug.



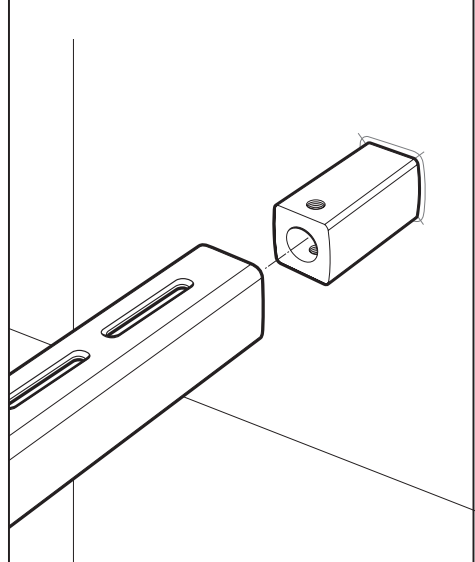
STEP
32

Screw the bracing bar mounting block to the wall.



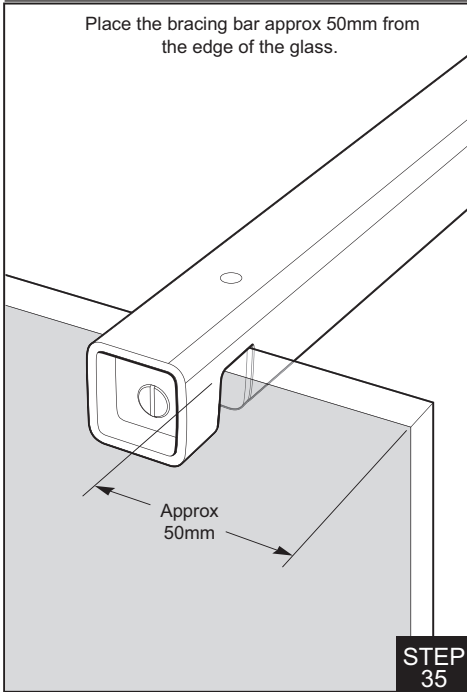
STEP
33

Slide the bracing bar on to the mounting block.



STEP
34

Place the bracing bar approx 50mm from the edge of the glass.

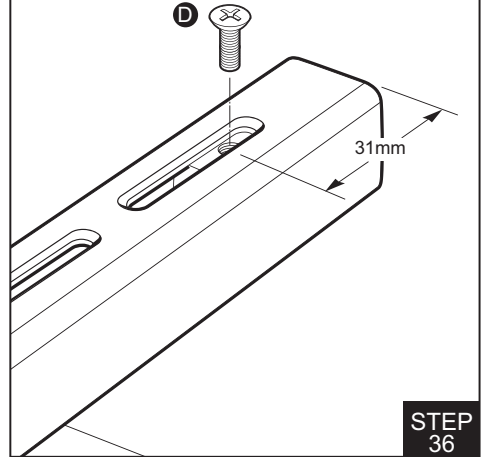


Fit screw to lock the bracing bar to the mounting block.

Check that the glass is vertical and the bracing bar is perpendicular to the glass.

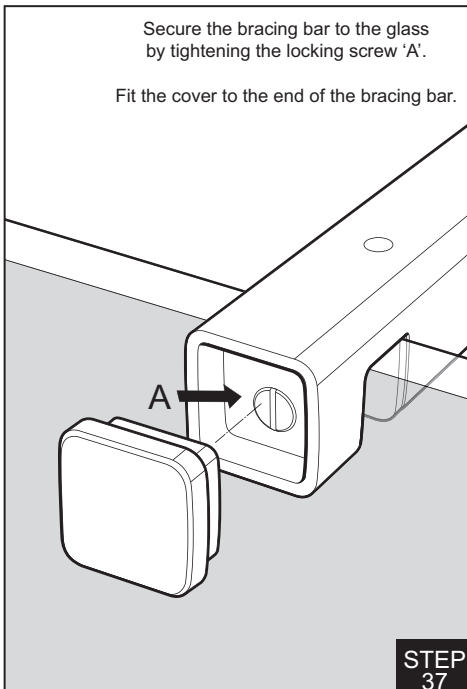
NOTE:

If none of the slots align with the screw hole in the mounting block a new hole will need to be drilled 31mm from the end of the bar.



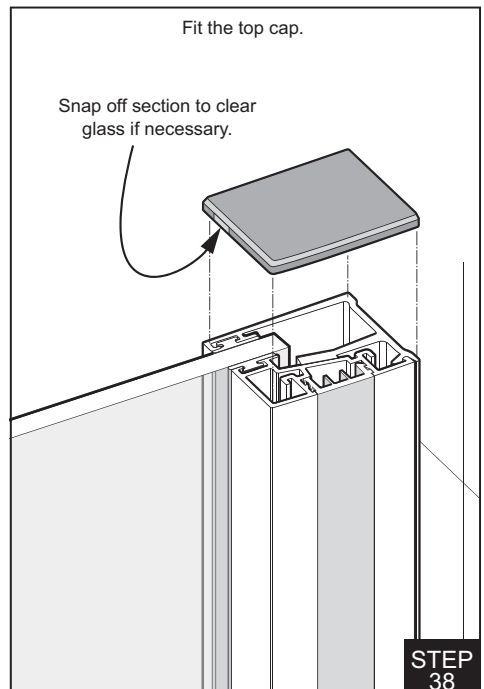
Secure the bracing bar to the glass by tightening the locking screw 'A'.

Fit the cover to the end of the bracing bar.



Fit the top cap.

Snap off section to clear glass if necessary.



MAINTENANCE

General Maintenance

Providing the shower enclosure has been correctly installed and is operated in accordance with the instructions contained in this guide, difficulties should not arise. If any maintenance is required then it must be carried out by a competent tradesperson to whom the maintenance instructions are provided.

Before replacing any parts ensure the underlying cause of the malfunction has been resolved.

Cleaning

Warning! The use of grout/tile cleaners, scale removers, abrasive scourers, drain unblockers and other powerful detergents may lead to damage of metallic, plated and plastic surfaces, including the tray and shower waste.

Avoid the use of 'spray and leave' cleaners. Any cleaner used should have a pH level between 4 and 8 and immediately wiped dry using a soft cloth.

Care

To preserve the beauty of your shower enclosure for many years, please observe the following care instructions:

Rinse glass and frame with clear water after showering. Remove water droplets with a squeegee. **Do not rub dry!** To clean your shower hygienically and easily, we recommend the use of a biodegradable cleanser.

Regular cleansing with a biodegradable cleanser prevents stubborn stains and ensures a clean and hygienic surface for many years. Do not use scouring or caustic cleansers under any circumstances! These can damage the surface of the frame, glass and decorative parts as well as the plastic parts.

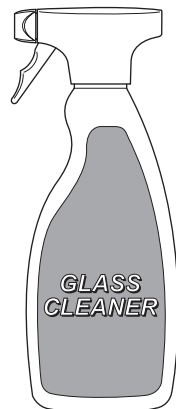
Chrome Parts

Use only cleansers expressly specified for chrome!

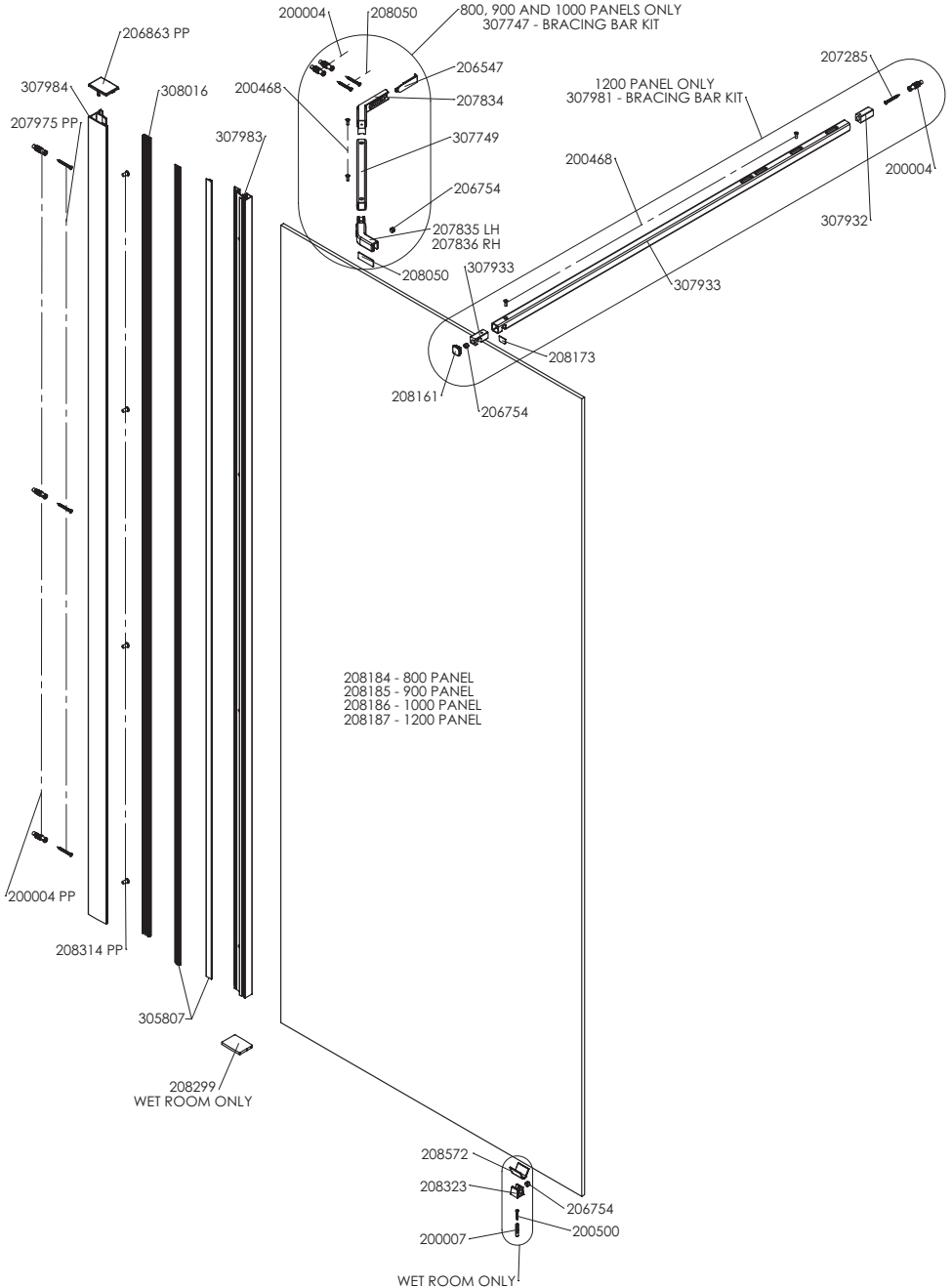
KOHLER Glass Cleaner

For occasional cleaning of glass treated with KOHLER Glass Protector or for more regular maintenance of untreated surfaces, we recommend using KOHLER Glass Cleaner.

The cleaner cleans and polishes without smearing or streaking and rejuvenates the Glass Protector.



SPARE PARTS



NOTES

DECLARATION OF PERFORMANCE

DECLARATION OF PERFORMANCE

Brand name: Mira

Product name: Leap Shower Enclosures

Product Range: Leap Pivot Door, Leap Sliding Door, Leap Quadrant Enclosure, Leap Walk in Enclosure, Leap Extended Sliding Door
Leap Bi-Fold Door, Leap Side Panel, Leap Pentagon Enclosure, Leap Double Door Slider

Product type: Domestic Shower Enclosure

Manufacturer: Kohler Mira Ltd
Cromwell Road, Cheltenham
Gloucestershire GL52 5EP
United Kingdom.

Directives: EU 305/2011 Construction Products Regulations

System of assessment: System 4:
Type testing / Factory production Control

Standards: EN 14428:2004 +A1:2008.
Shower enclosures – Functional requirements and test methods.

Essential Characteristics	Performance	Harmonised technical specification
IR-CA-DA	Compliant	EN 14428:2004 +A1:2008

The performance of the products described above, are in conformity with the relevant community harmonisation legislation.

This declaration of performance is issued under the sole responsibility of Kohler Mira Ltd.

Signed for and on behalf of Kohler Mira Ltd.

Signature: 

Name: Andrew Baines
Place: Cheltenham, UK
Doc. No.: CE 0099

Position: NPD Director
Date: 1st September 2014
Issue: 1.



CUSTOMER SERVICE

Guarantee

Your enclosure has the benefit of our lifetime guarantee which starts from the date of purchase. This guarantee only applies in the United Kingdom and the Republic of Ireland.

To activate this guarantee, you must return your completed registration card with a copy of proof of purchase from an approved Mira retailer within 30 days of purchase.

This guarantee is in addition to your statutory rights and is subject to conditions (see registration card).

What to do if something goes wrong

If your product does not function correctly when you first use it, contact your installer to check that it is installed in accordance with the instructions in this manual.

If this does not resolve the issue, contact our Customer Services Team who will offer you or your installer help and advice.



Helpdesk Service

Our Customer Services Team is comprehensively trained and can offer help and advice, spare parts, accessories or a service visit.

We will need you to have your model name, model number and date of purchase.



Mira Showers Website (www.mirashowers.co.uk)

From our website you can register your guarantee, download additional user guides, diagnose faults, purchase our full range of accessories and popular spares, refer to our FAQ's and request a service visit.



Spares and Accessories

We hold the largest stocks of genuine Mira spares and accessories.

Contact us for a price and to purchase spares or accessories (Only available in the United Kingdom).



Service / Repairs

No one knows our products better than our nationwide team of Service Technicians. We can carry out service or repair work to your product both during and after the guarantee period (Only available in the United Kingdom and the Republic of Ireland).

Ask about our fixed price service repairs.

To Contact Us: UK



0844 571 5000



Fax: 01242 282595



E-mail: www.mirashowers.co.uk/contactus



Kohler Mira Ltd, Cromwell Road, Cheltenham, Gloucestershire
GL52 5EP, UK.

Mira

Leap Range of Domestic Shower Enclosures.

Declaration of Performance: CE 0099

Pivot Door, Bi-Fold Door, Sliding Door, Side Panel,
Quadrant Enclosure, Pentagon Enclosure, Walk in
Enclosure, Double Door Slider, Extended Sliding Door.

Essential Characteristics	Performance	Specification
IR-CA-DA	Compliant	EN 14428:2004 +A1:2008



5 013181 080209 >

Mira is a registered trade mark of Kohler Mira Limited.

The company reserves the right to alter product specifications without notice.

mira
SHOWERS