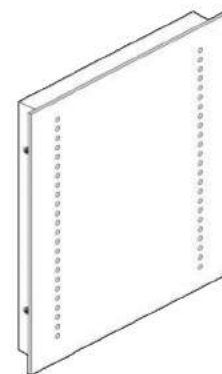


INSTALLATION
INSTRUCTIONS

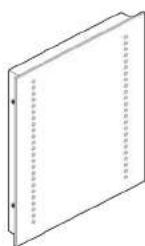
1 x ISLA
BATTERY POWERED
LED MIRROR
IP44



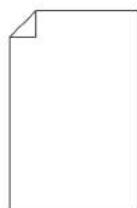
CODE: SE30466C0

IMPORTANT: Please read these instructions before commencing installation and retain for future reference.

Components



1 x LED mirror (screws and spacers attached)



1 x Instructions

Tools required



1 x Pencil



1 x Screw driver

Important Safety Information

Please read these instructions carefully before attempting to install this product. It is advisable to keep these instructions in a safe place for future reference.

These products must not be modified, if any modification are made, it may invalidate the warranty and may render the product unsafe.

This product should be used indoors only.

- If in doubt installation must be carried out by a qualified electrician.
- Install on smooth flat surface(s) only.
- Do not exceed or stretch the cable length of the mirror.
- There are 48 x 0.07W high power LED's in this mirror.
- (W)390mm x (H)500mm x (D)30mm.
- Please make sure the LED's are working correctly before commencing installation. Test this by inserting the batteries into the battery compartment located inside of the mirror back box.
- Requires 8 x AA batteries (not included).
- Suitable for use with rechargeable batteries.

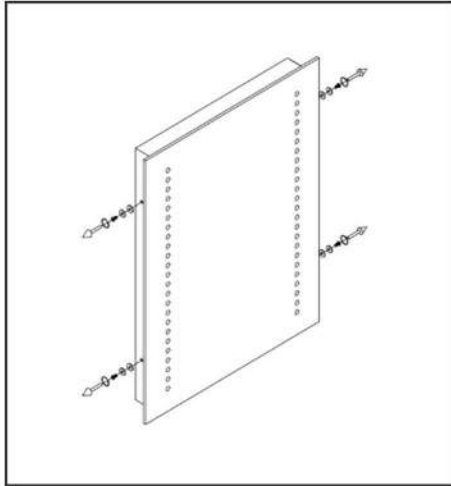
Safety Instructions

1. This product is only suitable for use with batteries.
2. The mirror should be mounted onto a secure surface.
3. When installing please take care to avoid water pipes, joints and electrical cables.

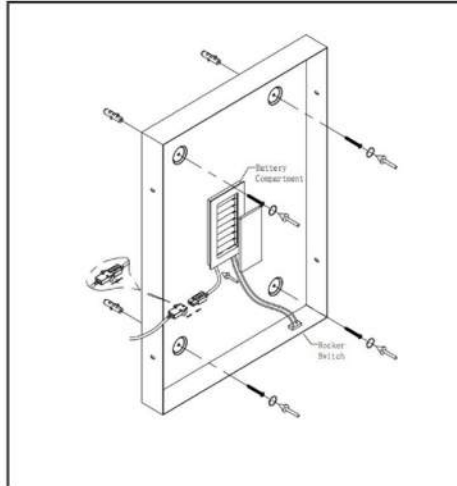
Waste Electrical & Electronic Equipment (WEEE)

The symbol on the product, or on the document accompanying the product, the crossed out wheellie bin symbol, indicates that this product may not be treated as household waste. Instead it shall be handed over to the applicable collection point for the recycling of electrical and electronic waste.

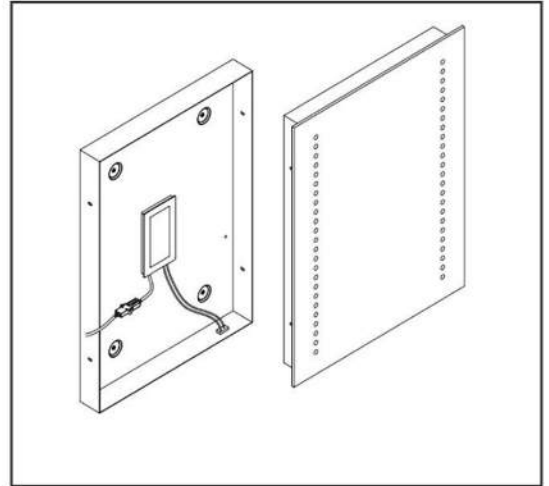




Lay the mirror on a flat surface with the front glass facing upwards. Using a Philips screwdriver, remove the four screws, along with the spacers on the sides of the mirror as shown above. Carefully lift the mirror off the back box and position it onto a soft flat surface to avoid scratching the mirror. If you have not already done so, insert the batteries into the battery compartment.



Next, attach the labelled male and female connectors together, as above. Mark the position of the fixing holes in the metal back box onto the wall, carefully avoiding any wiring or water pipes. Next, drill and prepare the holes for the screws ensuring that the wall is a solid material. Mount the metal back box of the mirror onto the wall and secure tightly.



Finally, attach the mirror glass onto the metal back box mounted on the wall. Secure tightly using the four screws and spacers. Activate the mirror via the rocker switch.

ZONE

0

Inside the bath or shower. Must be SELV (12V max.) due to water submersion. Minimum rating of IP67.

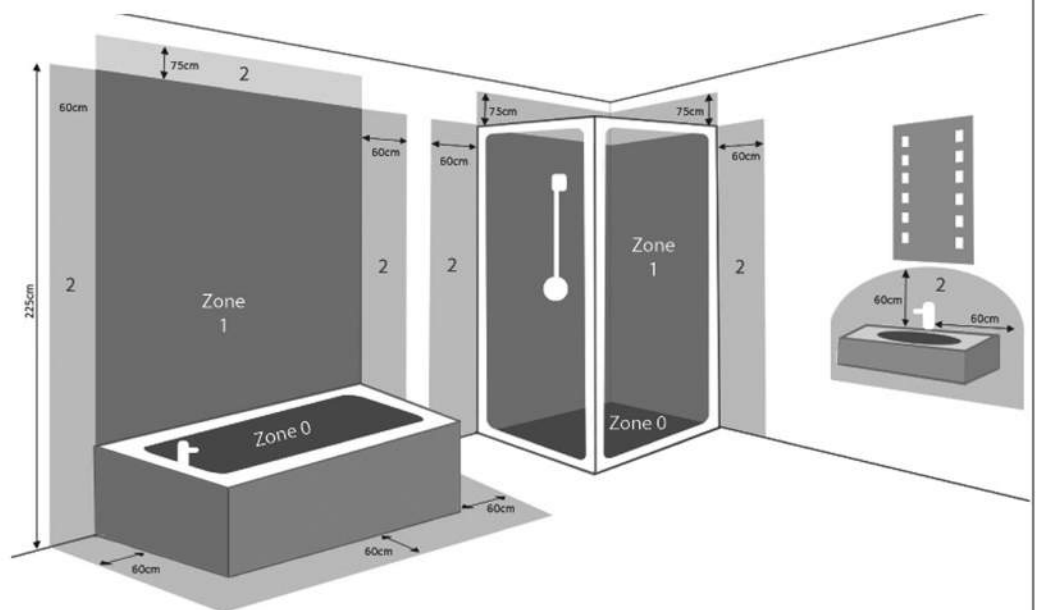
1

225cm above the bath or shower. Minimum rating of IP44.

2

The area stretching to 60cm outside the bath or shower and 60cm from water outlet of sink. An IP rating of at least IP44 is required.

This mirror is IP44 rated and is suitable for installation in zone 2 and the outside zones.



OUTSIDE ZONES. Anywhere outside zones 0, 1 & 2. Where water jets are not used for cleaning purposes, the general rules of BS7671 apply.

Maintenance & Care

- Ensure that the power is disconnected prior to cleaning.
- To keep the finish of this product, wipe over with soft cloth periodically.
- Do not use harsh chemical solvents, this may dis-colour or damage the finish.