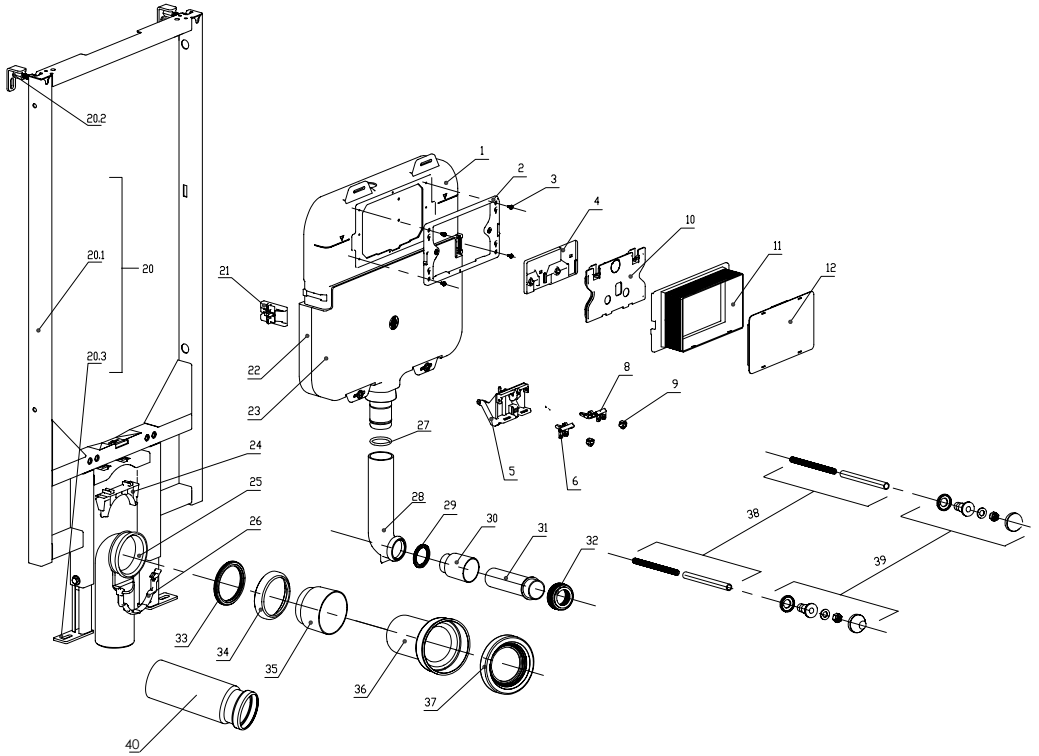
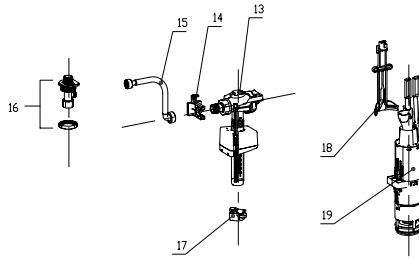


installation instructions

Slimline WC Frame & Cistern



No.	Description	Quantity
1	Cistern	1
2	Fixing Bracket	1
3	Screw	4
4	Siphon & Fill Valve Mounting plate	1
5	Bracket	1
6	Swing Arm	1
8	Swing Arm	1
9	Adjusting sleeve	2
10	Fascia plate	1
11	Corrugated Tile Guide	1
12	Blanking Plate	1
13	Fill Valve Mounting plate	1
14	Fill Valve Mounting Clip	1
15	Fill Hose	1
16	Inlet Isolation Valve	1
17	Sleeve	1
18	Flush Siphon Bracket	1
19	Flush Siphon	1
20	Frame Assembly	1
20.1	Frame	1
20.2	Wall Fixing Set	2
20.3	Frame Support Feed	2
21	Cistern to Frame Mount	2
22	Cistern Insulation Cover	1
23	Cistern Insulation Cover	1
24	Soil Pipe Top Bracket	1
25	Soil Pipe 90°	1
26	Soil Pipe Clamp	1
27	O Ring	1
28	Flush Pipe 90°	1
29	Rubber Seal	1
30	Flush Pipe Debris Stopper	1
31	Flush Pipe	1
32	Flush Pipe WC Seal	1
33	Soil Pipe Seal	1
34	Soil Pipe End Cap	1
35	Soil Pipe Debris Stopper	1
36	Pan Connector	1
37	Pan Connector Seal	1
38	Pan Fixing Bolt	2
39	Pan Fixing Set	2
40	Straight WC Adaptor	1

Important Information

PLEASE READ THESE INSTRUCTIONS THOROUGHLY BEFORE STARTING INSTALLATION.

Check the pack and make sure you have all the parts listed.

Remove all cardboard protection attached to the frame prior to installation.

All floor types need to be as flat and level as possible.

When drilling or fixing into walls or floor it is essential that you check for pipes or wires before commencing.

Certain spare parts and additional components are available if necessary and these can be obtained by calling the help line number at the end of the instructions.

When you are ready to start, make sure that you have the right tools to hand and that the installation area is clean and dry.

When drilling or fixing into walls or floors it is essential that you check for pipes and wires before commencing.

Site Preparation

All floor types need to be clean, dry and dust free.

All floor types need to be as flat and level as possible.

Floor boards must be securely fixed down prior to installation.

Adjusting the frame

The frame feet can be adjusted to allow for uneven floors and finished floor build up . The frame allows for an additional 280mm adjustment on the standard height. Using a spanner or socket, loosen the bolts just above the feet and extend the feet to your desired height. Ensure that the frame is square using a level before tightening the bolts using a socket or spanner.

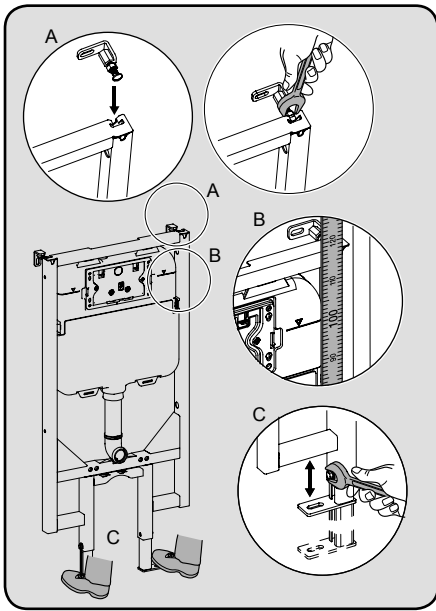
The internal frame (incorporating the basin fixing points and brass elbows) will need to be lowered to the desired height. Loosen the bolts on either side of internal frame and lower the unit appropriately. Ensure that the internal frame is square using a level before tightening the bolts using a socket or spanner.

Before You Start

The first phase of installation is the securing of the frame to wall and floor. There are two methods of installation; either individual fixing or unistrut (rail) mounted fixing. The unistrut (rail) mounted system is normally used where multiple frames are to be mounted next to each other, i.e., a basin frame next to a WC frame or a row of frames. This is also the best option when fixing to stud walls rather than solid walls. Bypass Step 2 if you plan to individually fix the frame.

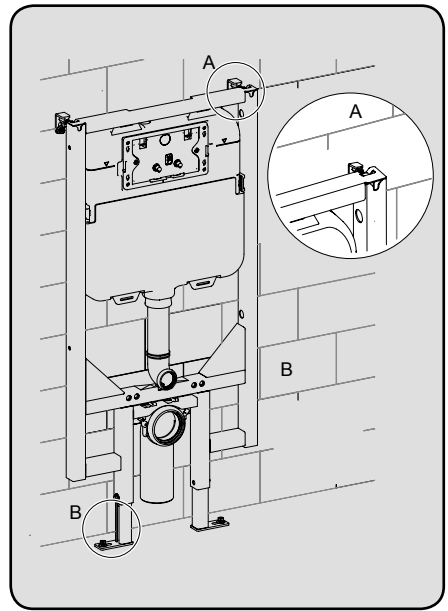
Tools required (not supplied)

- Tape Measure
- Level
- Pencil
- Electric Drill
- 10mm Drill Bit
- Screwdriver PH3
- Large Straight Blade Screwdriver
- Spanner / Socket Set
- Hacksaw
- PTFE Tape



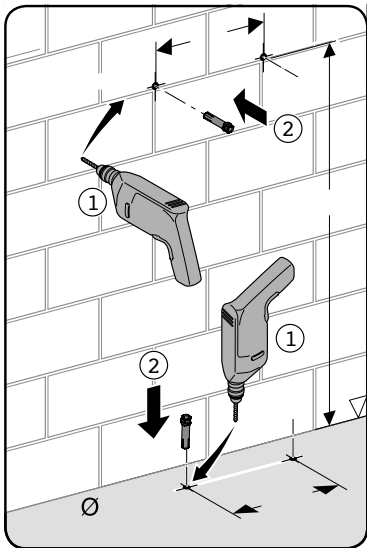
Step 1

Attach the wall bracket as shown.
 Set the frame height so the indicated line is 1000mm above the floor level.
 Tighten the bolts on the frame legs until secure.



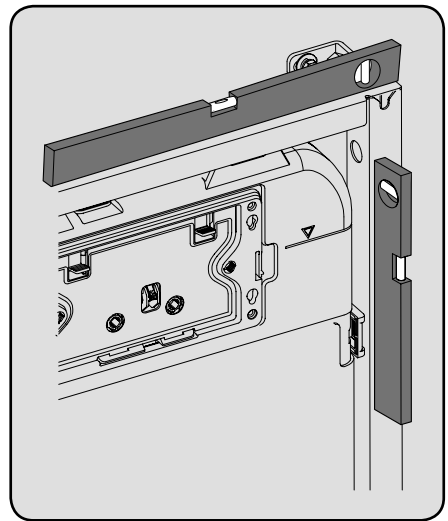
Step 2

Using a pencil mark the holes for the fixings.



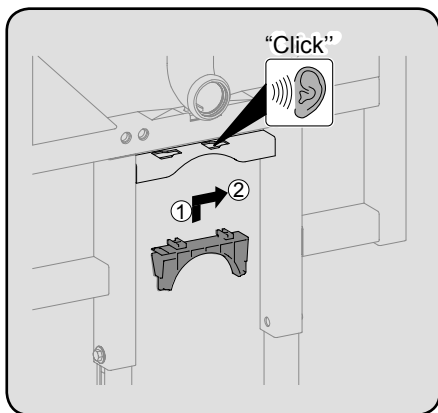
Step 3

Using the pencil marks as a reference drill holes in the wall and floor.



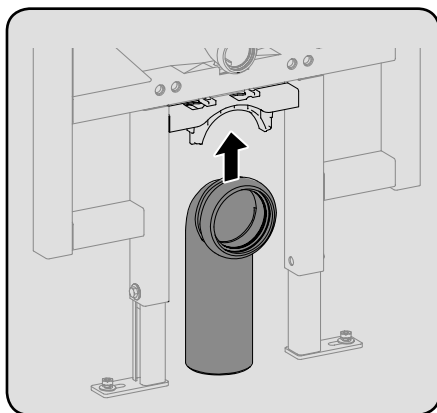
Step 4

Check the frame for level.



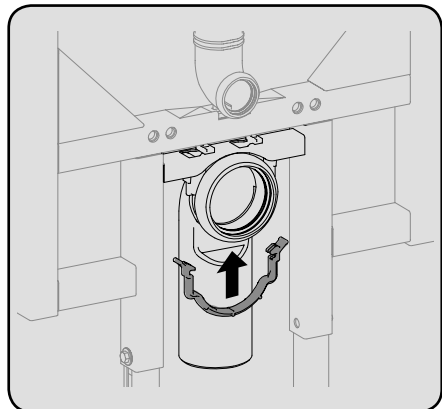
Step 5

Ensure the soil pipe clamp is secure.



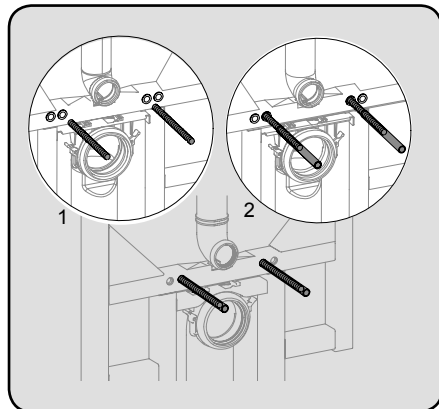
Step 6

Offer the soil pipe to the clamp (90° soil pipe shown).



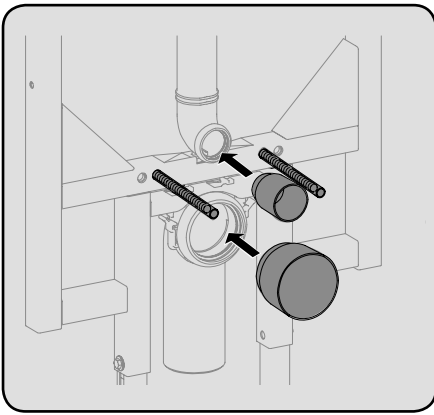
Step 7

Secure the soil pipe using the pipe clamp.



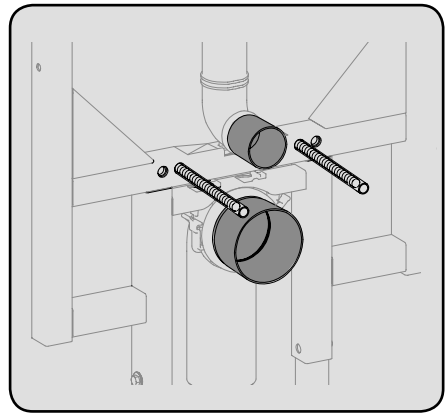
Step 8

Attach the two Pan Fixing Bolts and plastic sleeves into the holes appropriate to the WC Pan to be fitted.



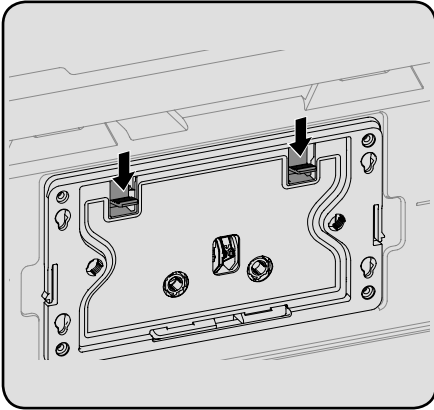
Step 9

Insert the Debris Stoppers.



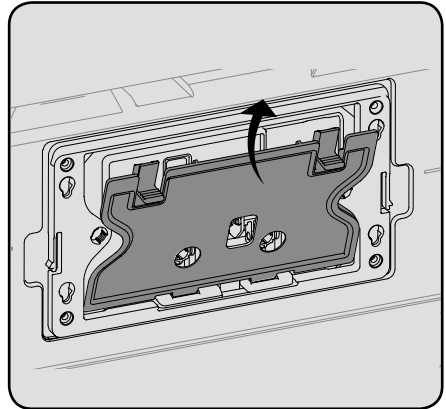
Step 10

Debris Stoppers remain in place during first fix.



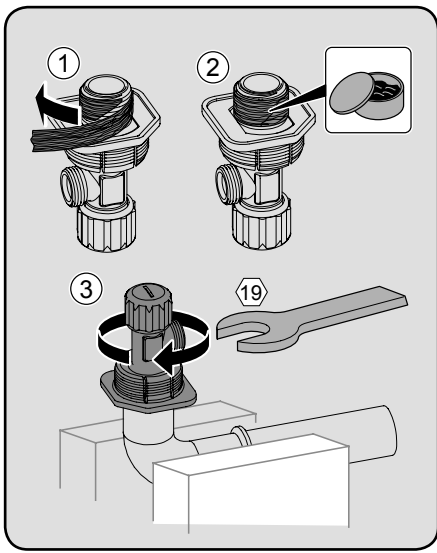
Step 11

Remove the fascia plate by pressing down the retaining clips.



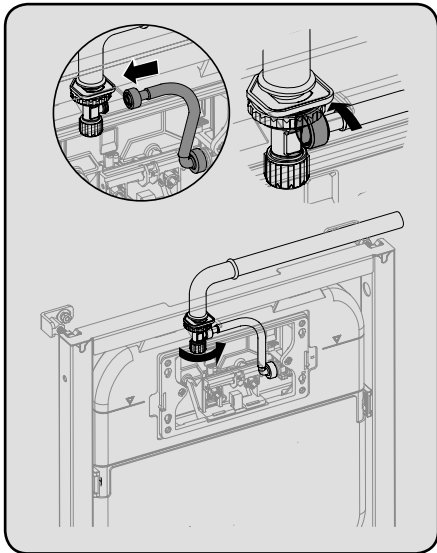
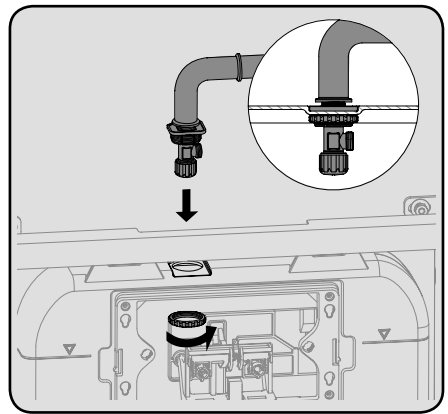
Step 12

Remove the fascia plate and keep in safe place.



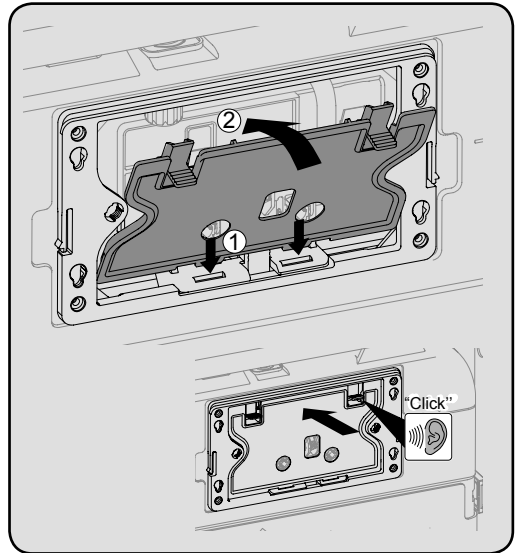
Step 13

Attach the isolation valve to the cold water supply.



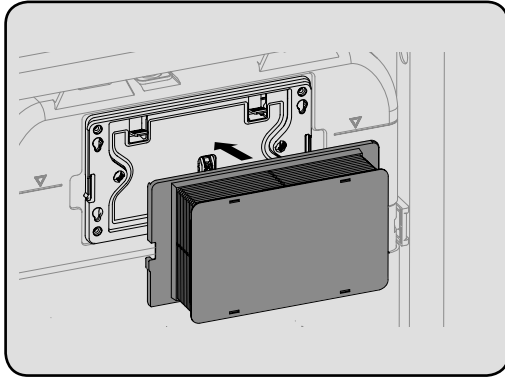
Step 15

Connect the isolation valve to the fill valve.



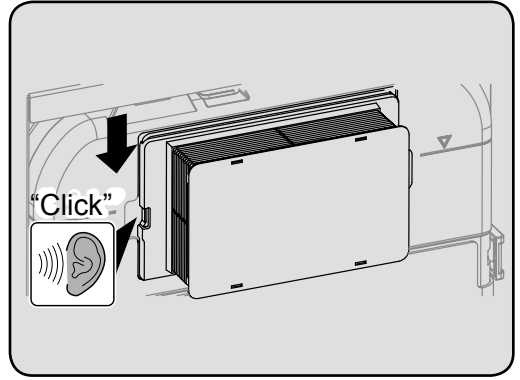
Step 16

Attach the fascia plate by pressing down the retaining clips.



Step 17

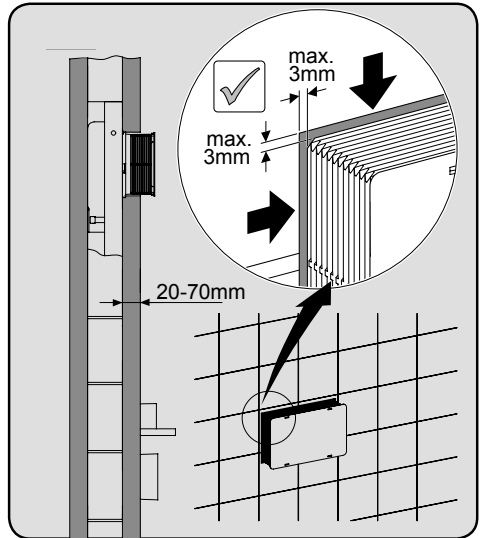
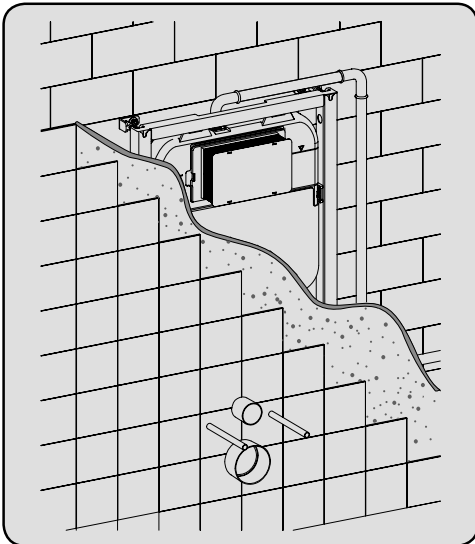
Attach the corrugated tile guide.



Step 18

Secure the corrugated tile guide by pressing down until the click is heard.

*** The frame is now ready for 2nd fix installation ***



Step 19

Ensure that the gap between the tile guide and the wall board is no more than 3mm.



13

**EN 14055:2010
K301 Cistern**

Essential characteristics	Performance	Harmonised technical specification
Watertightness/ Leaktightness	Pass	EN 14055:2010, Clause 5.2.8
Endurance	Pass	EN 14055:2010, Clause 5.2.9
Noise Level	I	EN 14055:2010, Clause 8
Flushing Volume	Pass (6)	EN 14055:2010, Clause 5.2.1
Durability	Pass	EN 14055:2010, Clause 5.2.11

For any further information please contact your merchant

The manufacturer reserves the right to make technical modifications without prior notice.