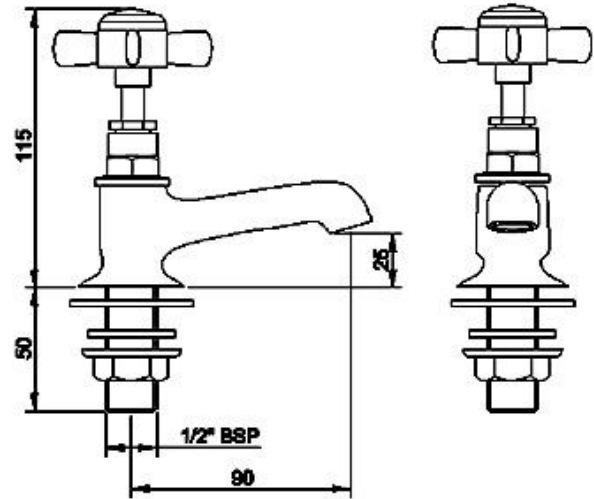


CUSTOMER DATA SHEET - BRASSWARE

SALES CODE: I321XE

DESCRIPTION: Basin Taps



PRODUCT DIMENSIONS

Height (mm)	Width (mm)	Depth (mm)	Length (mm)	Nett Wgt Kg
115	40	115		1.09

PACKAGING DIMENSIONS

Height (mm)	Width (mm)	Depth (mm)	Gross Wgt Kg
55	160	260	1.09

PACKAGING DATA

Box Colour	White Cardboard Box		
Box Qty	1	Label Colour	White Label
Label Size	100 x 50	Label Qty	2

OUTER BOX DIMENSIONS (If Applicable)

Height (mm)	Width (mm)	Depth (mm)	Length (mm)	Gross Wgt Kg
300	270	500		16
Barcode	5055146102045			

PRODUCT DETAILS

Country of Origin	China		
Fitting Instruction	Yes		
Product Material	Brass		
Control Type	Manual		
Waste Included	Waste Not Included		
WRAS Approval	No	Approval No.	N/A
Operating Pressure (bar)	0.1		
Valve/Cartridge Type	Screw Down		

Colour/Finish	Chrome									
Mount Type	Deck									
Waste Type	Not Applicable									
Flow Rates (Litres Per Min)	0.1 bar	8	0.5 bar	24	1 bar	33	2 bar	44	3 bar	0
Pipe Size	15 mm (1/2" Bsp)									
Pipe Centres	180 mm									