

## ASPEN LED MIRROR CABINET - SE30816C0 INSTALLATION INSTRUCTIONS



Please read these instructions carefully before installation.  
Installation should be carried out by a qualified electrician.

### GENERAL

- THIS PRODUCT CONFORMS TO UK SAFETY STANDARDS AND MUST BE INSTALLED IN ACCORDANCE WITH CURRENT IEE WIRING REGULATIONS AND BUILDING REGULATIONS (PART P). THIS PRODUCT MUST BE EARTHED, AND SHOULD NOT BE CONNECTED TO AN UNEARTHED CIRCUIT.
- IF THERE ARE ONLY TWO WIRES COMING FROM YOUR POWER SUPPLY IT MEANS THAT THIS FITTING CAN BE WIRED TO AN UNEARTHED CIRCUIT.
- ENSURE THAT CONNECTIONS ARE TURNED OFF AT THE CONSUMER UNIT OR FUSE BOARD BEFORE INSTALLING OR CARRYING OUT ANY MAINTENANCE.
- THIS PRODUCT IS FOR IN DOOR USE ONLY.
- THIS PRODUCT IS IP44 RATED AND CAN BE INSTALLED IN BATHROOM ZONE 2 (AS DEFINED BY THE IEE WIRING REGULATIONS) AND BEYOND. SEE BATHROOM DIAGRAM BELOW.
- REPLACE FAILED LAMPS IMMEDIATELY. ALLOW THE GLASS, LAMP AND FITTING TO COOL BEFORE REPLACING THE LAMP.

Do NOT strike mirror glass with hard or pointed items. It is recommended that the product is cleaned with a soft, dry, non abrasive cloth. Do NOT use cleaning agents or abrasive materials on any type of finished surface. Do NOT allow moisture to come into contact with the electrical components.

### Compliance

This product complies with the following safety standards:  
BS EN 60598-1: 2008+A11: 2009, EN60598-2-1: 1989

### Wiring

This product is manufactured to class I category and requires an earth connection

### COLOUR CODING:

L - Live = Brown

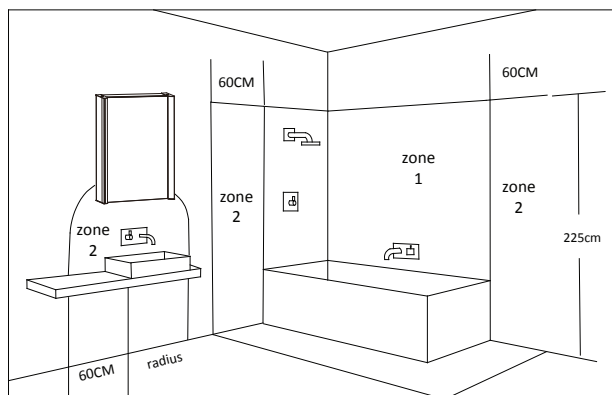
- Neutral = Blue

⊖ - Earth = Green & Yellow

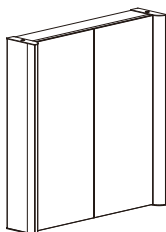
### REPLACEMENT OF LED STRIPS

WARNING - turn off at consumer unit or fuse board before accessing wiring.  
When replacing an LED strip please follow the steps illustrated below.

### IEE Bathroom Zones Diagram



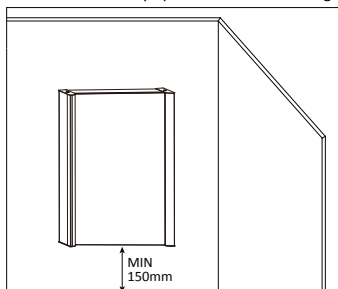
### OUTSIDE ZONES



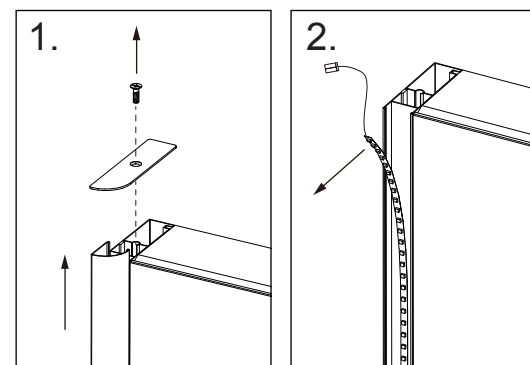
Aspen - SE30816C0

### IMPORTANT

- When working at heights, please use a suitable platform to work from.
- Please note: For new installations, check for any electrical cables or pipe work (gas/water) in the vicinity of the intended mounting point before proceeding with the installation.
- Ensure that the fixing location is able to take the weight of the complete fitting. Wear suitable eye protection when drilling. Be careful when using power tools near water.



- The product must be installed with a minimum distance of 150mm between the infrared sensor and an adjacent countertop or obstruction to ensure correct function of the sensor (see diagram left)

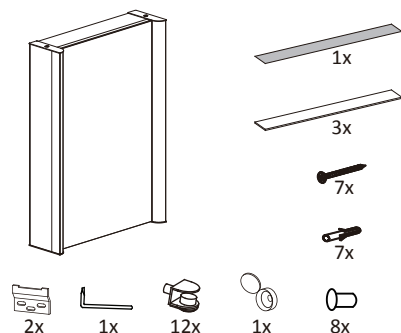


## ASPEN LED MIRROR CABINET - SE30816C0 INSTALLATION INSTRUCTIONS

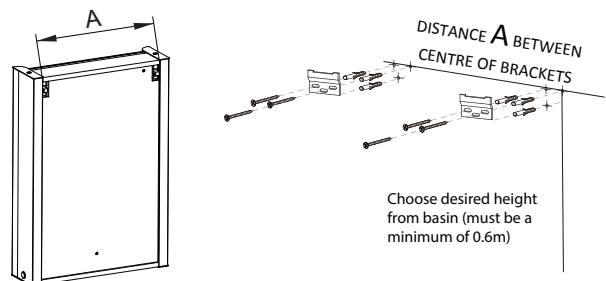


### Installation procedure

1. Open the carton and make sure all the parts listed below are present

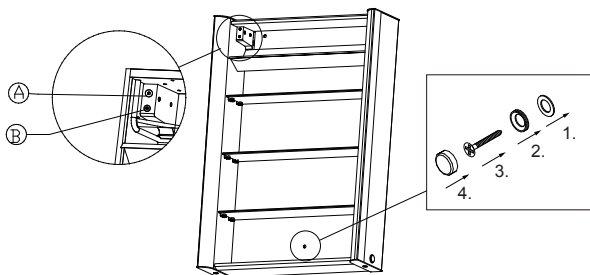


2. Mark a desired height of the mirror and draw a horizontal line on the wall which corresponds with the height of the cabinet hangers. Drill the required holes and insert the wall plugs. Note: Wall plugs supplied are only suitable for solid stone/brick walls. Then screw the brackets to the wall using the screws provided. Please ensure the screws are fully tight.



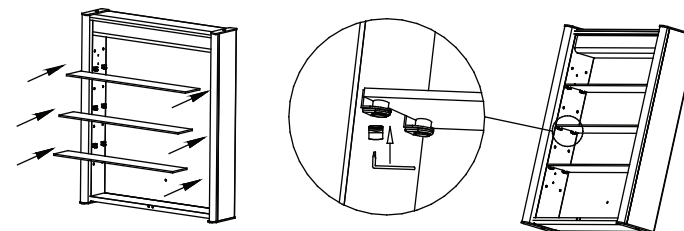
3. Make the electrical connections, make sure to turn off the electrical supply at the mains. Connection must be made in accordance with the latest IEE regulations. This cabinet is manufactured to Class I and requires an earth connection.

4. Hang the cabinet on the wall bracket. The claws on the cabinet hangers must be securely located on the wall brackets. Using a spirit level to adjust the angle of the cabinet by turning the screw A with a cross head screwdriver. When the angle is properly adjusted, tighten the screw B on both hangers. Then secure the base of the cabinet to the wall with provided screw and over-cap.

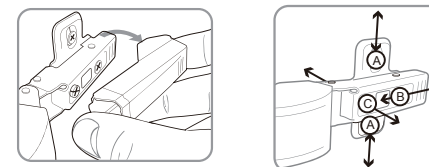


5. Close and secure the internal top electrical cover with the small screws removed earlier. And switch on the electrical supply at the mains to test the function of the lamp and the shaver socket.

6. Insert the shelf supports in the desired positions starting with the top shelf. On the double door item, one of the doors should be removed so the glass shelves can be inserted. Please make sure to tighten the plastic screw at the bottom of the shelf support to prevent the shelves becoming loose. Rubber plugs provided can be used to cover unused shelf holes.



7. If the doors are out of alignment, please first remove the soft-close buffer (from bottom hinges), then adjust the screws A, B and C on hinges for 3 directional adjustment, see below diagram.



Waste Electrical & Electronic Equipment Regulations (WEEE) requires that any of our products showing this mark (left) must not be disposed of with other household or commercial waste. Sensio Ltd does not levy any WEEE disposal charges to its customers for affected WEEE related products. To prevent possible harm to the environment or human health from uncontrolled waste disposal, please separate any such product from other waste types and recycle it responsibly at your local facilities. Check with your Local Authority, Recycling Center or retailer for recycling advice.