

No.	Description	Code	Fixings Included	Gross Weight	Net Weight
1	EXPOSED DUAL FUNCTION SHOWER	SVSET50	YES		



(COMES WITH HOSE)



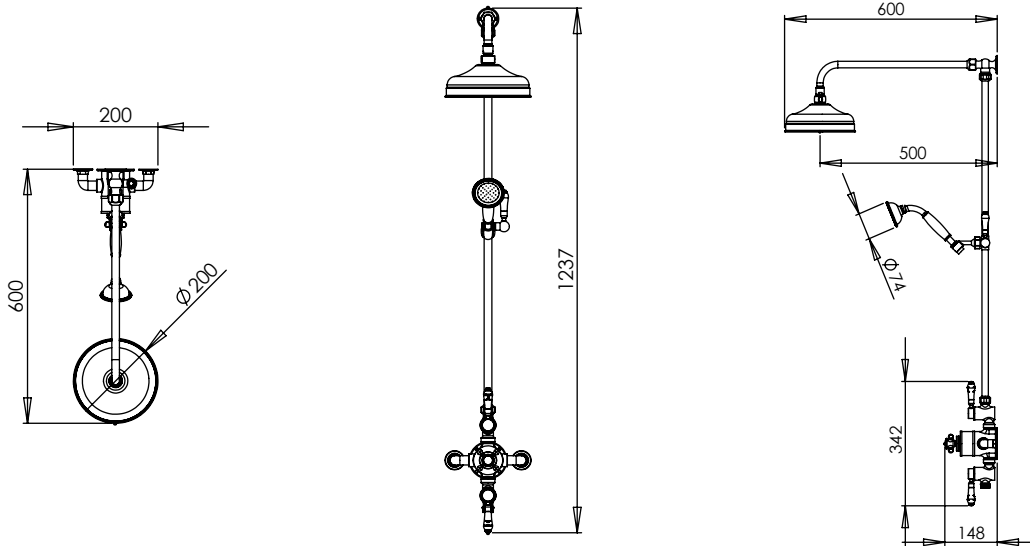
Finishes Available



Chrome

BAR	0.1	0.2	0.3	0.4	0.5	1	2	3	4	5
FLOW RATE	6.4	8	NA	NA	10.4	14.2	18.8	23	NA	NA

Dimensions



Diagrams not to scale
All dimensions in mm
tolerance of +5mm

Additional information

FAQ's

Question goes here? **Answer**

Question goes here? **Answer**

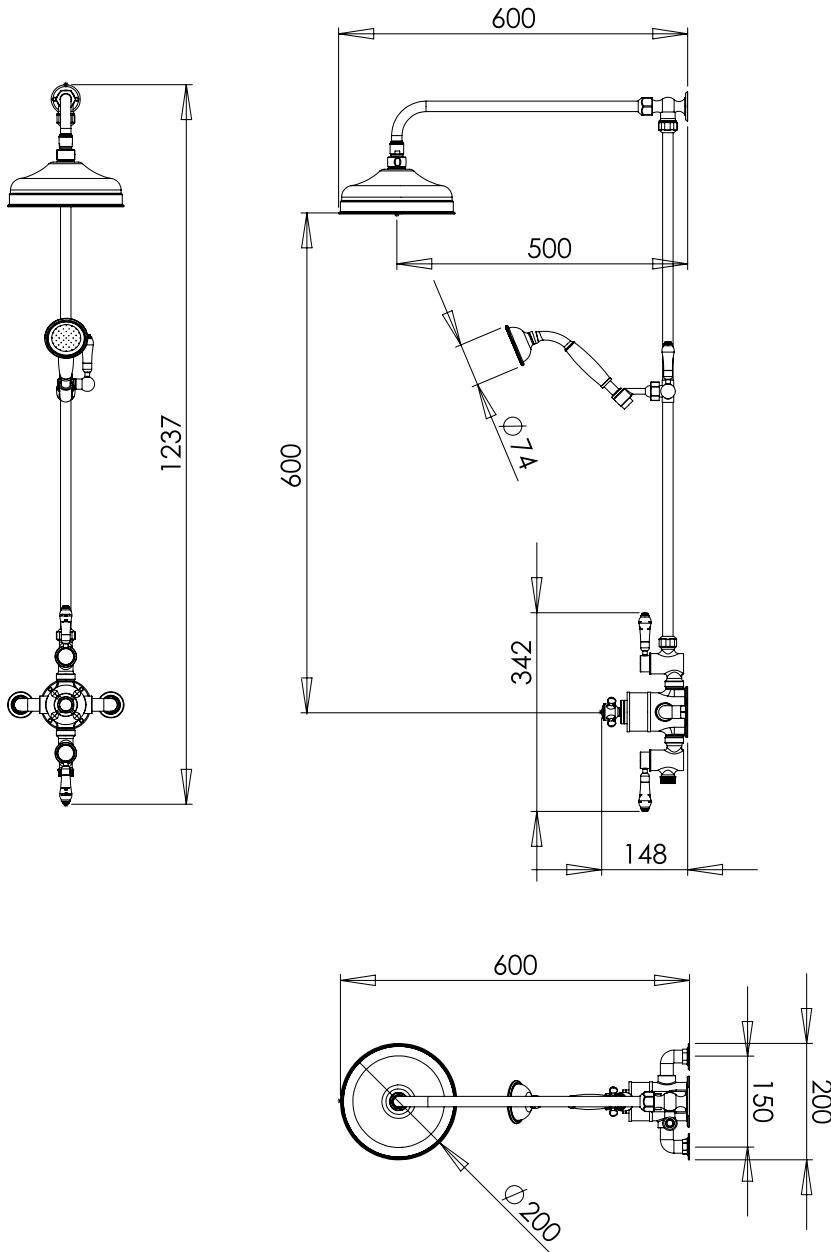
Question goes here? **Answer**

HENLEY EXPOSED DUAL FUNCTION SHOWER - SVSET50

NO.	DESCRIPTION	PRODUCT CODE	FIXINGS INCLUDED?	GROSS WEIGHT	NET WEIGHT
1	HENLEY EXPOSED DUAL FUNCTION SHOWER	SVSET50	Yes	3.05kg	3.05kg

DIMENSIONS

DIAGRAMS NOT TO SCALE
ALL DIMENSIONS IN MM
TOLERANCE OF ± 5MM



FAQ

The riser rail and overhead rail can be adjusted by cutting.

What is the diameter of the riser rail? 18mm

Continuation sheet, title here

Additional information

Technical Data Sheet

Henley

EXPOSED SINGLE FUNCTION SHOWER - SVSET51

No.	Description	Code	Fixings Included	Gross Weight	Net Weight
1	EXPOSED SINGLE FUNCTION SHOWER	SVSET51	YES		



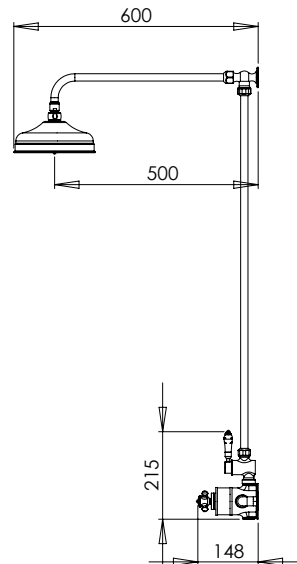
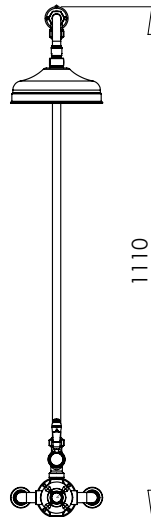
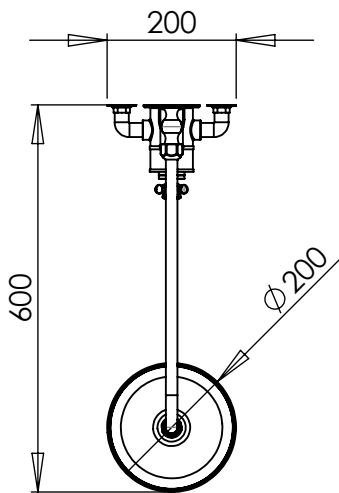
Finishes Available



Chrome

BAR	0.1	0.2	0.3	0.4	0.5	1	2	3	4	5
FLOW RATE	5.8	7.8	9.1	NA	11	14.7	19.7	23.6	NA	NA

Dimensions



Diagrams not to scale
All dimensions in mm
tolerance of +5mm

Additional information

FAQ's

Question goes here? **Answer**

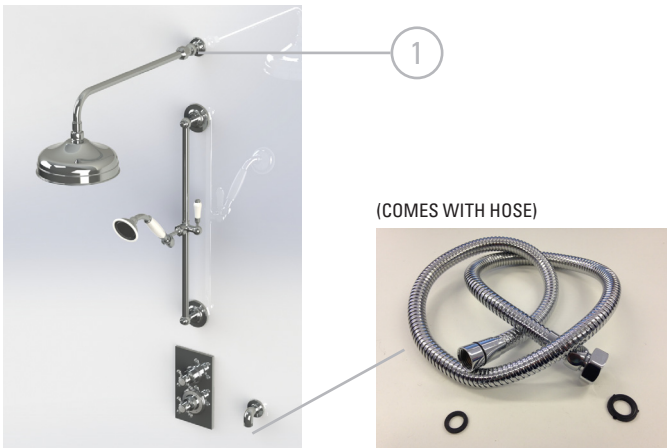
Question goes here? **Answer**

Question goes here? **Answer**

Continuation sheet, title here

Additional information

No.	Description	Code	Fixings Included	Gross Weight	Net Weight
1	CONCEALED DUAL FUNCTION SHOWER	SVSET52	YES		



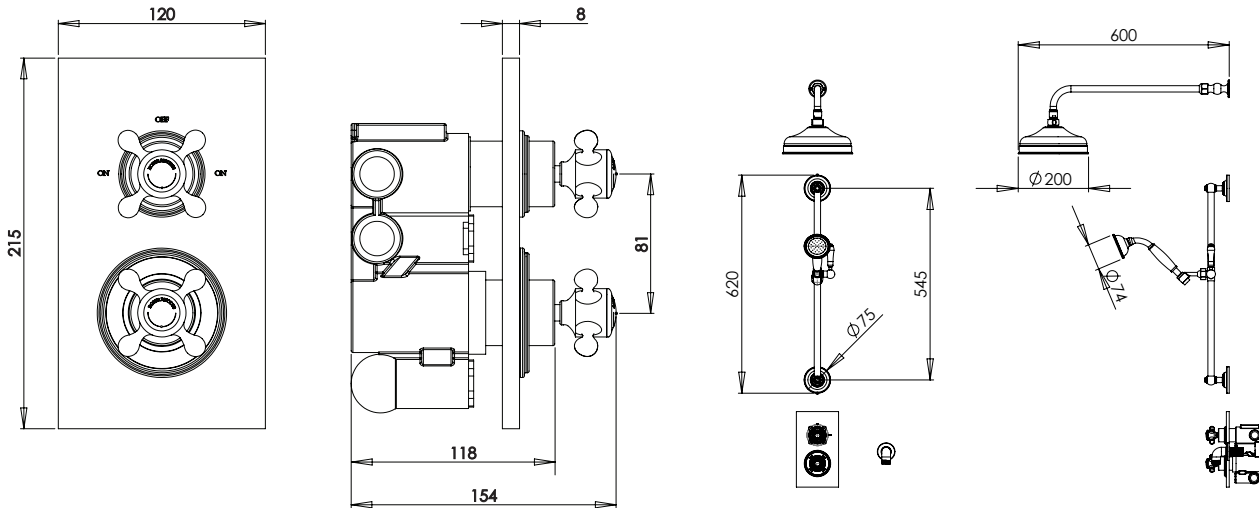
Finishes Available



Chrome

BAR	0.1	0.2	0.3	0.4	0.5	1	2	3	4	5
FLOW RATE	5.75	7.81	9.37	10.73	11.97	17.16	24.29	30.02	34.5	N/A

Dimensions



Additional information

FAQ's

Question goes here? **Answer**

Question goes here? **Answer**

Question goes here? **Answer**

Continuation sheet, title here

Additional information

No.	Description	Code	Fixings Included	Gross Weight	Net Weight
1	CONCEALED SINGLE FUNCTION SHOWER	SVSET53	YES		



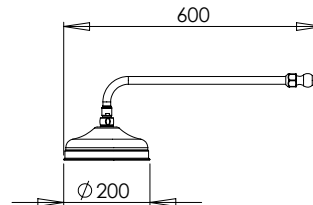
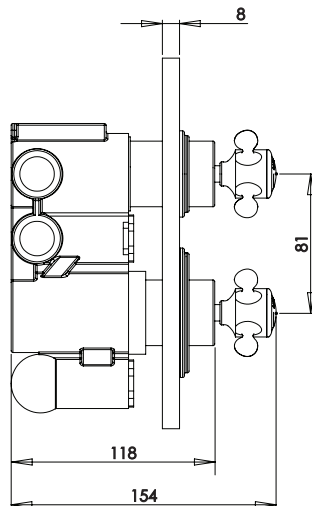
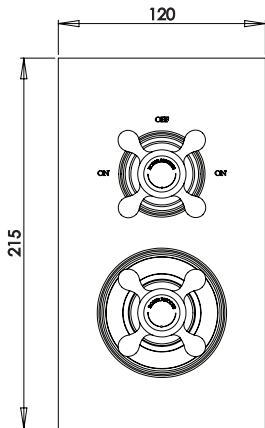
Finishes Available



Chrome

BAR	0.1	0.2	0.3	0.4	0.5	1	2	3	4	5
FLOW RATE	6.2	7.9	10.5	11.54	12.6	18.36	23.31	32.77	35.63	N/A

Dimensions



Diagrams not to scale
All dimensions in mm
tolerance of +5mm



Additional information

FAQ's

Question goes here? **Answer**

Question goes here? **Answer**

Question goes here? **Answer**

Continuation sheet, title here

Additional information