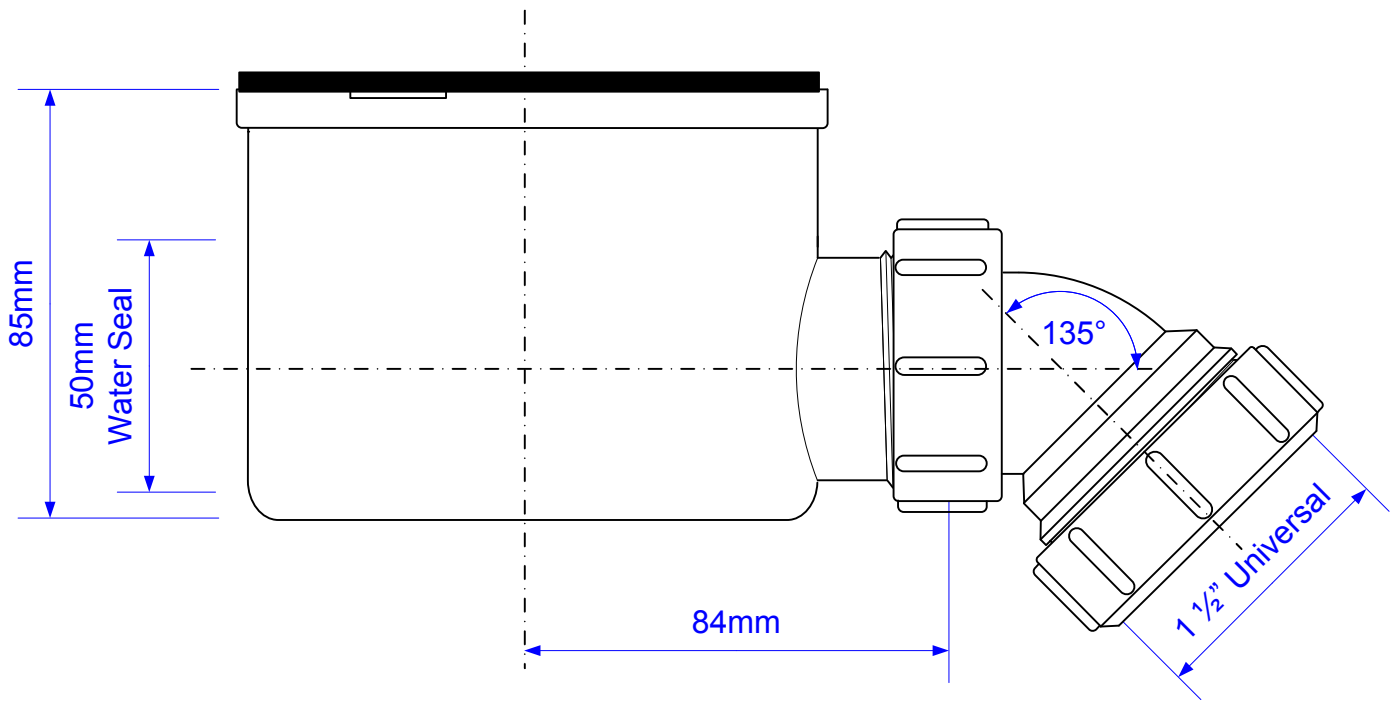


Code:

ST90-HP2 Range



Drawing verified
correct as of:

18/11/2015
RM

DRAWN BY

RM

REVISED

SCALE

1: 1.5

FILENAME

ST90-HP2 RANGE.VSD

DATE

18/11/2015