

Baby Clifton Heated Towel Rail

Fitting Instructions



© Heritage Bathrooms 2010



Before starting any installation project please consider the following:
Prior to drilling into walls, check there are no hidden electrical wires or cables or water supply pipes with the aid of an electrical detector.
If you use power tools do not forget:

- Wear eye protection
- Unplug equipment after use

Please keep these instructions for future reference and request of replacement parts



Introduction.

Thank you for selecting this quality product that has been rigorously tested during manufacture & will give many years of good service if installed correctly & used as intended.

Please read these instructions carefully prior to installation.

Please check that all parts are present & that you are entirely satisfied with the size, design & finish quality of the product before starting installation.

General Information.

This product has been designed & manufactured to comply with BS EN 442-1:1996, BS EN 442-2:1997, BS EN 442-3:2003 – Specification for radiators & convertors.

Carefully unpack & inspect your new radiator for any damage or component shortages. Report any discrepancy to Heritage before installation, via contact in store or call direct on 0844 701 8503.

Protect the radiator from any construction damage during installation.

IMPORTANT: This product is intended for indoor heating purposes only.

WARNING: If heavier than 25Kg, lift only with assistance or with lifting equipment & we recommend the use of gloves, goggles & protective footwear during installation.

SAFETY – Please look out for “Safety Notes” throughout the instruction which we recommend are followed to avoid risk of injury.

A central heating system is NOT a single loop of hot water & therefore it is essential to have a flow & return to the product.

This product is NOT suitable for use on direct central heating systems because corrosion inhibitors cannot be added.

Consult an expert to see if the floor or wall is suitable for installation. Check & replace screws/wall fixings supplied if necessary to suit wall type.

Align air vents if possible to point downwards as there is a risk of scalding from escaping hot water during bleeding operation.

STEP 1

Disassemble the screwed union from the radiator valve. Apply PTFE threaded sealing tape around the threads (See Fig1.1) & secure into the radiator. **DO NOT OVERTIGHTEN AS THIS MAY CAUSE DAMAGE & CAUSE LEAKAGE.**

Reassemble the radiator valve loosely tightening the union nut.

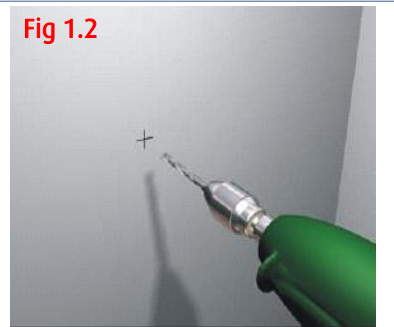
Fig 1.1



STEP 2

Carefully position the radiator into the required location ensuring sufficient clearance above, to the sides & to the back of the radiator. Mark the appropriate fixing points on the wall (Fig1.2). Drill the correct size hole.

Fig 1.2



STEP 3

Secure the radiator to the wall using screws (See Fig1.3).
If fitting to plasterboard wall, please use appropriate fixings (Sold Separately).

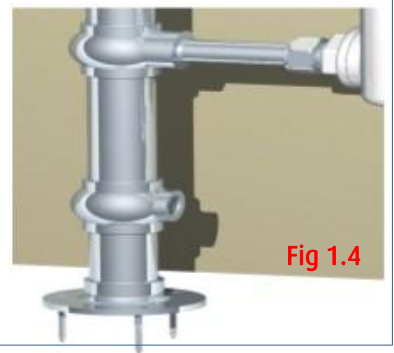
Fig 1.3



STEP 4

Secure the bottom brackets of the radiator to the floor, using the fixing screws provided (See Fig 1.4).

Fig 1.4



STEP 5

Fit the radiator valves (Supplied) & connect to the pipework (Fig 1.5). Check that all fittings are securely tightened before filling with water.

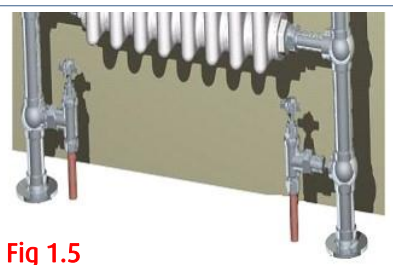


Fig 1.5

STEP 6

Loosen the central screw of the air vent plug to let out the trapped air from the radiator (See Fig1.6), while filling the system & close as soon as water starts escaping.



Fig 1.6

STEP 7

Fill the system with water & check carefully for leaks

It is advisable to have two people for filling so that one can control the water flow while the other checks for leaks.

Provided no leaks are found, the system should be thoroughly flushed using a central heating cleanser. Flushing the system is essential to clean out any debris that may have been introduced.

Do not attempt to flush with just water as this will NOT clear all debris.

Fill the system again using just water & this time turn the central heating on for a hot test. Let the system run for a few a least one hour & continually check for leaks. Re-inspect the seals 24 hours after installation to ensure integrity. Provided that the system is 100% watertight, add a central heating protector which will improve the efficiency & lifestyle of the central heating system.

If the inhibitor is not used as above, the performance of the product will be reduced & will be reduced & will invalidate the product guarantee.

Parts List.

Fitting instructions x 1
Radiator x 1
Fixing Screws x 12
Radiator Valves x 2

Please Note.

Wall plugs are for use on solid walls ONLY.
Wall plugs/screws for stud walls are **sold separately**.

Tools Required.

Tape measure
Adjustable spanners
Screwdrivers (small/medium/large)
Electric drill
Appropriate masonry drill bit (if required)
Spirit level
PTFE tape



Before starting any installation project please consider the following:
Prior to drilling into walls, check there are no hidden electrical wires or cables or water supply pipes with the aid of an electrical detector.
If you use power tools do not forget:

- Wear eye protection
- Unplug equipment after use

IMPORTANT: This product is intended for indoor heating purposes only.

WARNING: If heavier than 25Kg, lift only with assistance or with lifting equipment & we recommend the use of gloves, goggles & protective footwear during installation.

SAFETY – Please look out for “Safety Notes” throughout the instruction which we recommend are followed to avoid risk of injury.

Notes: Please use to add your notes.

Aftercare Instructions.

Your fitting has a high quality finish and should be treated with care to preserve the visible surfaces.

All surface finishes will wear if not cleaned correctly, the only safe way to clean your product, is to wipe with a soft damp cloth. Stains can be removed using washing up liquid. All bath cleaning powders and liquids can damage the surface of your fitting even the non-scratch cleaners.

Guarantee.

All products are manufactured to the highest standards and a 5-year guarantee covers any defect in manufacture.

Contact Details.

If you require further assistance please contact Heritage Sales and Technical Enquiries:

Sales : 0844 701 8501

Technical: 0844 701 8503

Email: Technical@heritagebathrooms.com

Website: www.heritagebathrooms.com

**Heritage Bathrooms
Unit 6 Albert Road
St Philips Central
Bristol
BS2 0XJ**

