

INSTALLATION INSTRUCTIONS

www.aprilproducts.co.uk

Lifetime Product Guarantee

ATTENTION!

Are you fitting this April enclosure to an April shower tray?

The Lifetime Product Guarantee is only valid when an April enclosure is fitted with an April shower tray and are used and maintained in accordance with the manufacturer's instructions (guarantee excludes seals and magnets). When April enclosures are used with any other shower tray the guarantee period is limited to 10 years.

Please see our website for full Terms & Conditions.

To activate your Product Guarantee please visit www.aprilproducts.co.uk and complete the online form.

Tools Required



Drill



6mm Masonry Drill
3.2mm HSS Drill



Tape Measure



Spirit level



PH2 TYPE
Screwdriver



Pencil



Sealant Gun

Please note hand tools **NOT** supplied.

IMPORTANT

These instructions assume that installation is done against solid/tiled walls.

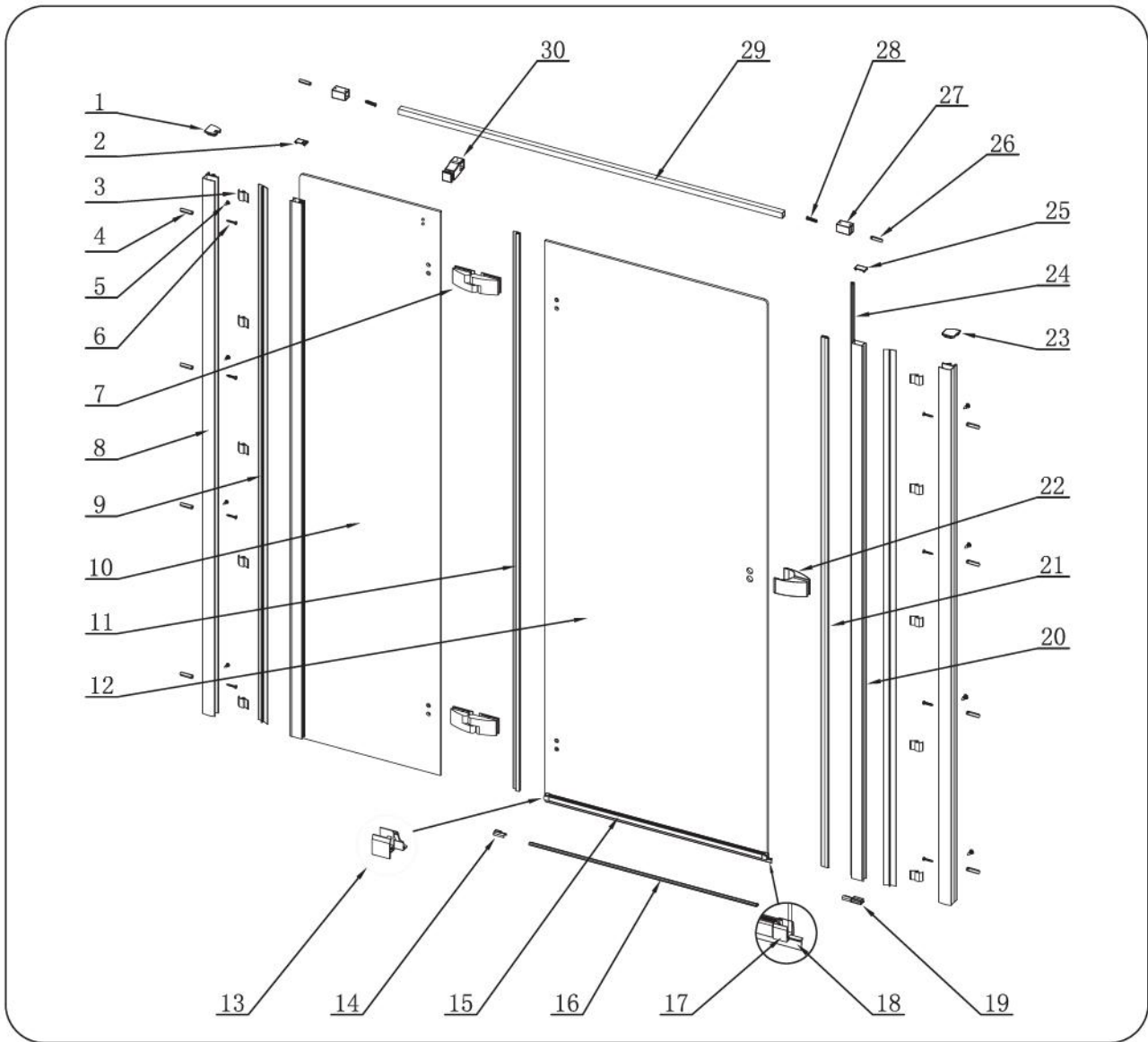
The wall plugs supplied with the installation kit are for use on solid walls. Hollow or stud -partition walls will require alternative fixings. Please consult with a reputable trades person or hardware supplier for the correct type of fixing.

It may also be necessary to consult your tiling supplier about the correct method for drilling your tiles.

Please check this product for damage prior to starting the installation. No claims can be made after the product has been fitted. This is a 2 person installation. Please note the minimum and maximum adjustment for this product are based on perfectly plumb walls.

USE SAFETY EYE-WEAR WHEN DRILLING

COMPONENTS AND BOX CONTENTS

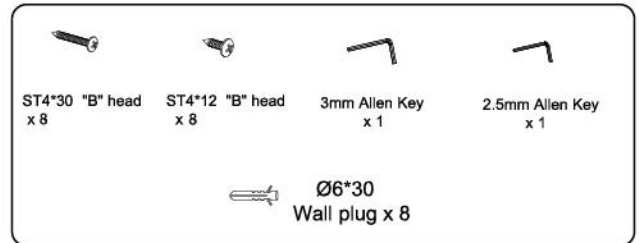
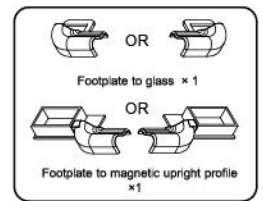
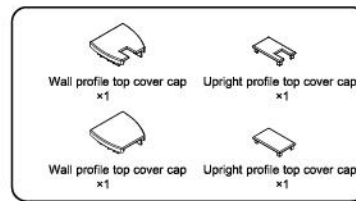
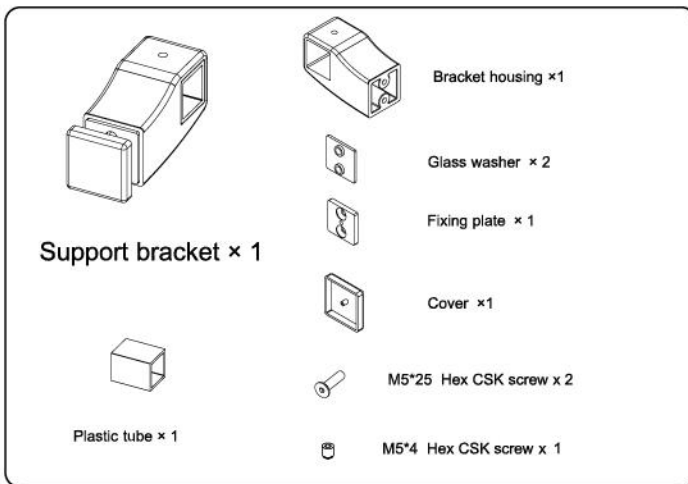
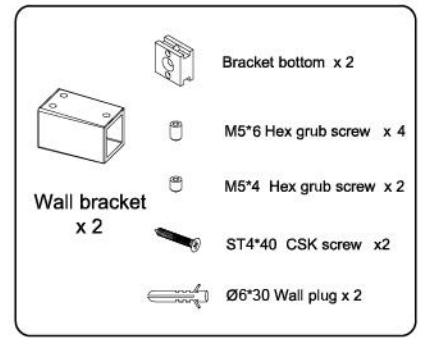
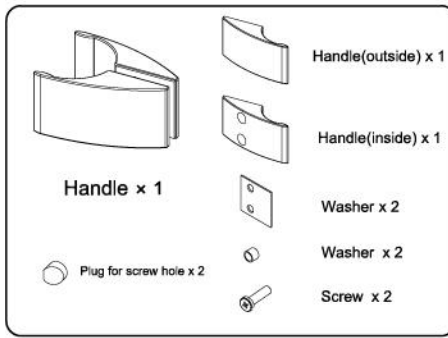
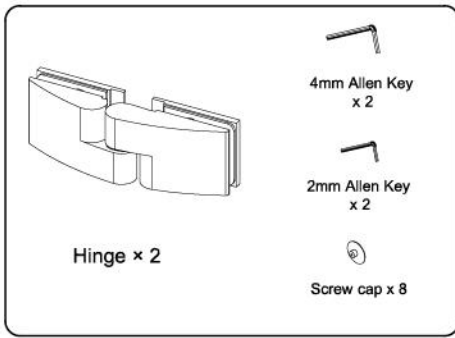


Box Contents

No.	Description	QTY	No.	Description	QTY
1	Wall profile top cover cap (with indentation)	1	16	Door bottom rail	1
2	Upright profile top cover cap (with indentation)	1	17	Bottom deflector end piece(R) (preassembled to 15)	1
3	Clamps for trim profile	10	18	Door bottom plastic seal (preassembled to 15)	1
4	Ø6×30 Wall plugs	8	19	Footplate for bottom rail and magnetic profile	1
5	ST4*12 "B" head screw	8	20	Magnetic upright profile	1
6	ST4*30 "B" head screw	8	21	Magnetic profile on door	1
7	Hinge	2	22	Handle	1
8	Wall profile	2	23	Wall profile top cover cap (no indentation)	1
9	Trim profile	2	24	Upright profile top cover cap (no indentation)	1
10	Inline panel	1	25	Magnetic profile(preassembled to 21)	1
11	Moving panel upright seal	1	26	Ø6×30 Wall plug	2
12	Moving panel	1	27	Wall bracket	2
13	Bottom deflector end piece(L) (preassembled to 15)	1	28	ST4*40 CSK screw	2
14	Footplate for bottom rail (fixed panel side)	1	29	Top rail	1
15	Door bottom deflector	1	30	Top rail support bracket	1

Note: Further part details for fixing kit available on page 2

Fixing kit



IMPORTANT - Missing Components

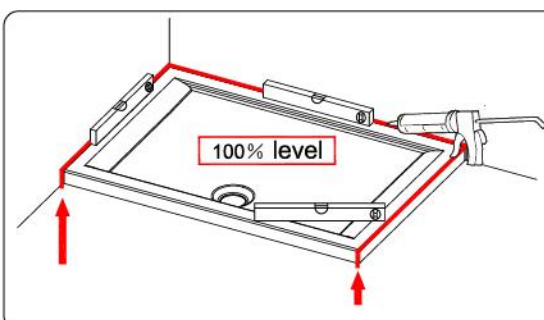
Please check this product for missing components prior to installation.

For spare parts visit www.aprilproducts.co.uk

IMPORTANT - Installation site

1. Ensure the top surface of the shower tray on which the enclosure will be installed in level in every direction.
2. The tiles or other wall finishing should be effectively sealed at tray edges.
3. Tiles should extend at least to the corner of the tray and a minimum of 1.9 meters from top of the tray.

PROCEDURE



TRAY MUST BE 100% LEVEL IN ALL DIRECTIONS

Ensure the shower tray is level in all directions and is properly sealed to the wall. The wall must be tiled down to the top edge of the tray. **Do not angle out bottom tile.**

TRAY MUST BE SEALED FULLY AROUND WHERE THE TRAY MEETS THE WALL.

Step 1.

Move wall profiles to the installation position, keep them 20mm from the outside edge of tray. Make sure wall profile are vertical, mark holes positions on wall through the center of holes on wall profiles.

Step 2.

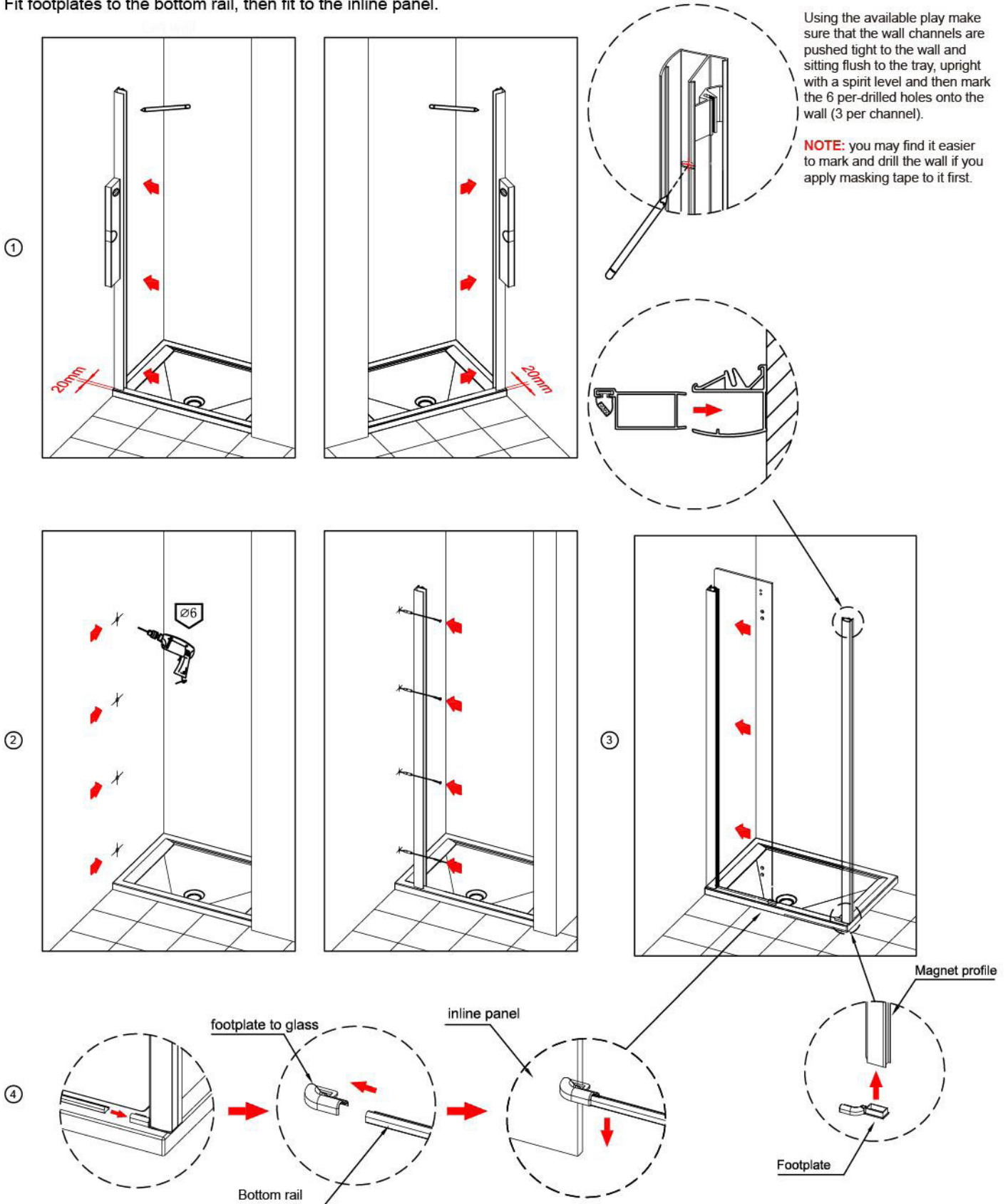
Drill holes on wall using Ø6mm drill bit, put in Ø6×30 wall plugs. Fix wall profiles to wall using ST4×30 "B" head screws.

Step 3.

Insert inline panel into one of the wall profiles fully to bottom. Fit footplate (19) to the bottom of magnetic upright profile (20), move to the installation position. Insert it into the other wall profile.

Step 4.

Fit footplates to the bottom rail, then fit to the inline panel.



Step 5.

Fix half of the hinge to inline panel, half of the hinge to moving panel. **Note:** When fitting the hinges, make the hinges inclined as the diagram shows to avoid the future dropping.

Step 6.

Move the moving panel to installation position. Connect it with the inline panel using hinges. **Note:** it will easier to connect the hinges when the fixed panel and moving panel to be 90°.

Step 7.

Fit magnetic seal and upright water seal to moving panel. The bottom of them fit to the footplates. Cut the top of magnetic seal to make flush with the magnetic upright profile.

Step 8.

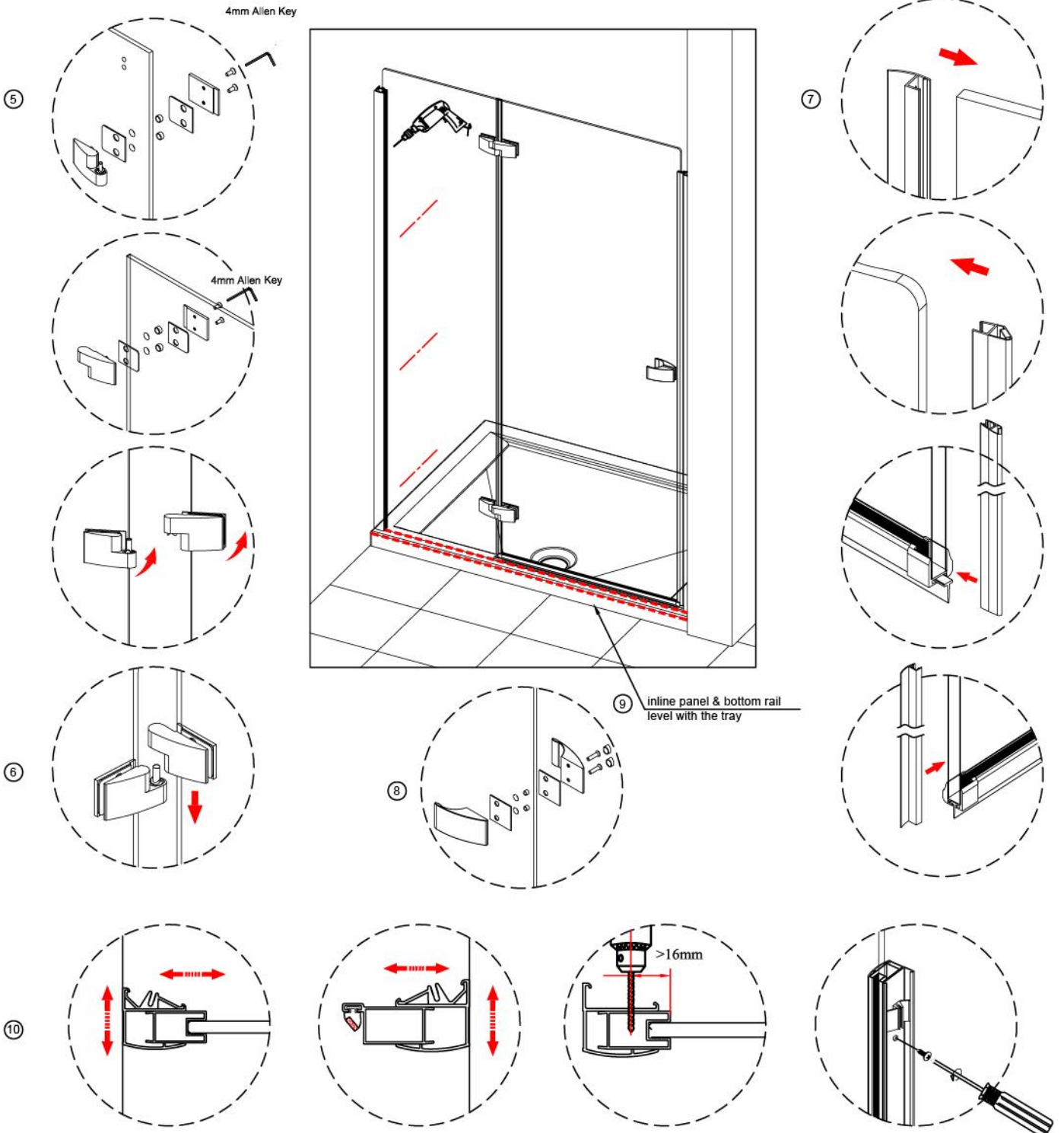
Fit handles to moving panel, insert screw hole plugs in.

Step 9.

Adjust the bottom rail to make it parallel to the outside edge of tray.

Step 10.

Loosen screws on w/al profiles to make them movable on wall. Adjust the size of inline panel and magnetic upright profile fitted in wall profile to make the magnetic seal close well. After adjustment, drill Ø3.2 holes where wall profile and upright profile overlapped, fix using ST4×12 "B" head screws. Tighten screws on wall profiles.



Step 11.

Fit top rail to support bracket (30). Fit wall brackets to the each end of top rail and tighten using grub screws. Note: To make sure the support bracket and top rail is separated by the plastic tube.

Step 12.

Fix support bracket with top rail to the inline panel.

Step 13.

Adjust top rail to make it about 40mm from inside of inline panel, parallel to inline panel and moving panel, Adjust the top rail to be level. Put one end of top rail against wall and mark position of it, then do the same process on the other end. Take away the top rail, support bracket and wall brackets from inline panel. Disconnect wall bracket from its bottom. Leave wall brackets on two ends of top rail.

Step 14.

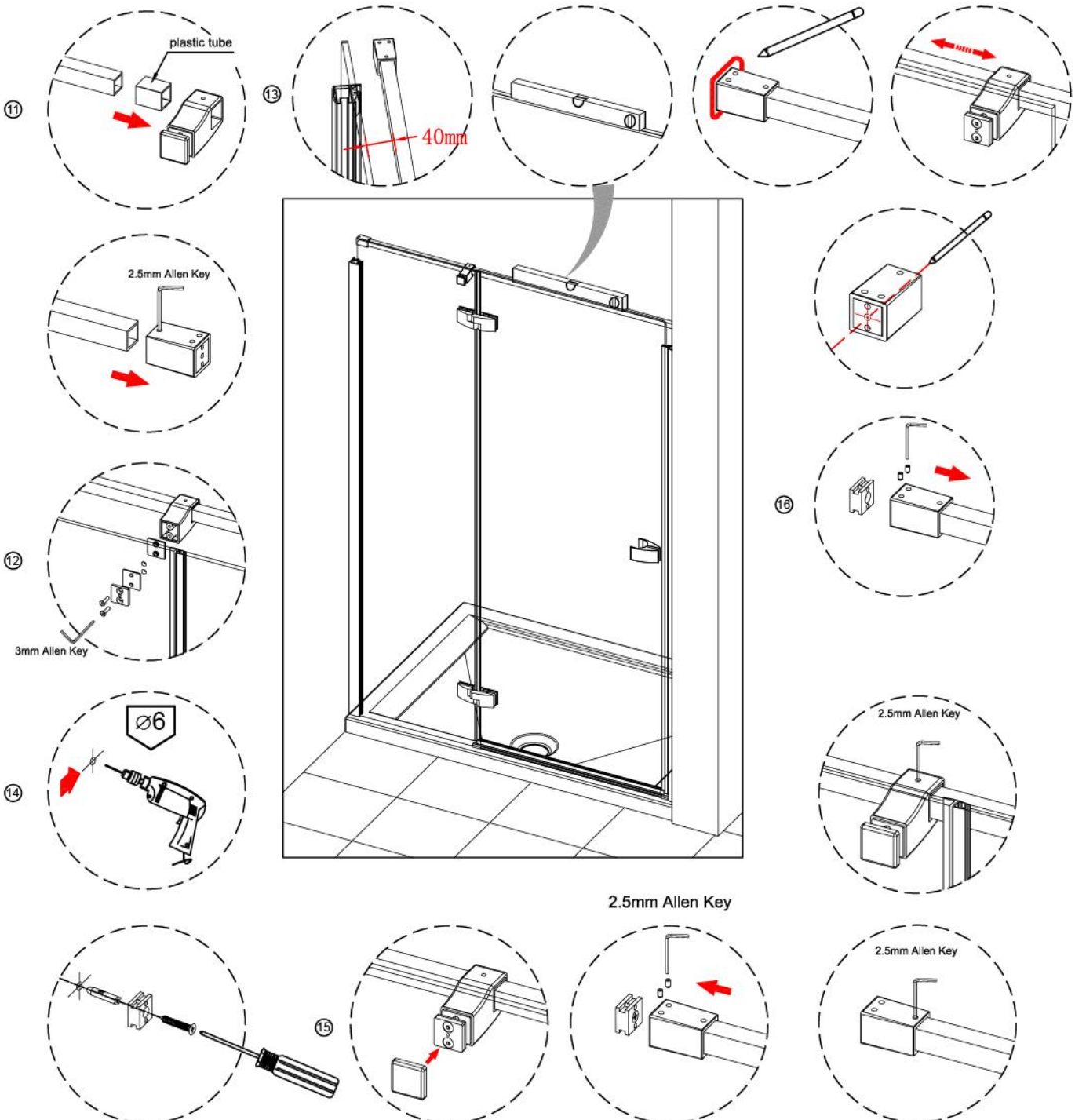
Drill a hole on wall using Ø6mm drill bit according to the mark made in step 13. Put in wall plugs Ø6×30. Fix the wall bracket bottom to wall using ST4×40 CSK screws.

Step 15.

Fix the top rail and support bracket to inline panel. Cover on support bracket cover cap.

Step 16.

Loose grub screws on wall brackets. Fit each end wall bracket to its bottom on wall. Tighten grub screws on wall brackets to make the top rail fixed well.



Step 17.

If the door can not close well after installing the top rail, loose screws on wall profiles again to make wall profiles movable on wall. Adjust the size of inline panel and magnetic upright profile fitted in wall profile to make the magnetic seal close well. After adjustment, drill Ø3.2 holes where wall profile and upright profile overlapped, fix using ST4×12 "B" head screws. Tighten screws on wall profiles.

Step 18.

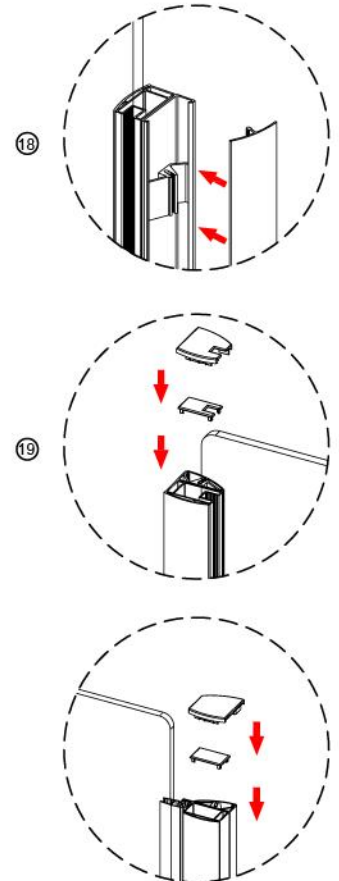
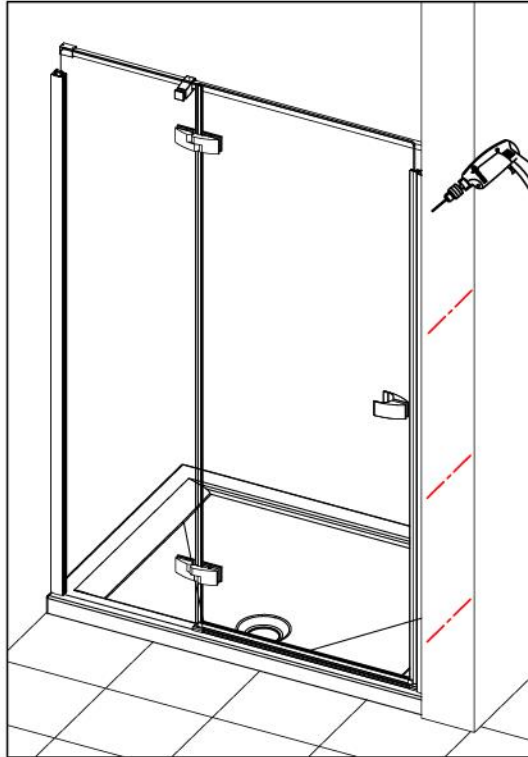
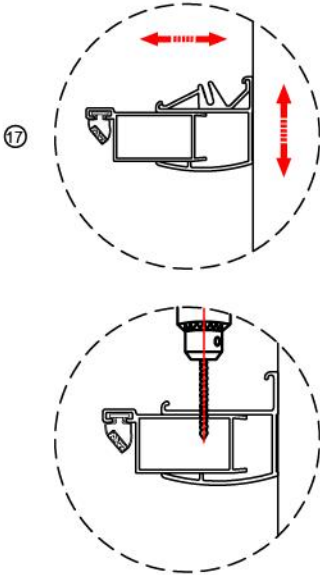
Fit the cover profile on.

Step 19.

Cover on top caps for wall profiles and upright profiles.

Step 20.

Apply silicone according to the drawings. Solid line means silicone outside shower room, dotted line means silicone inside shower room.



24 HRS



DO NOT USE THE ENCLOSURE FOR 24 HOURS AFTER SEALING

Applying Silicone Sealant

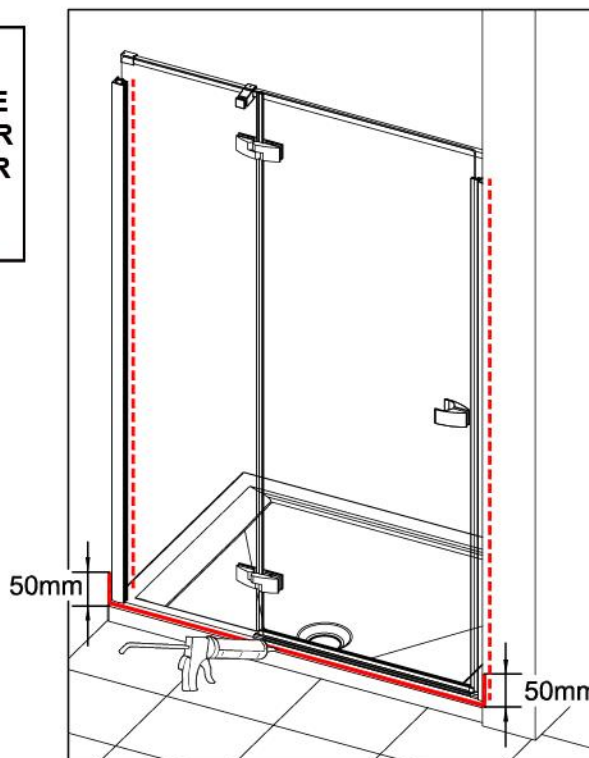
Sealing Inside

Seal from the top the wall profile to the bottom on the **INSIDE** between the wall profile and the wall.

IMPORTANT: Do not apply sealant on inside of tray.

Sealing Outside

Seal only along the bottom rail and glass on the **OUTSIDE** between the profile / glass and the tray. Also up between the wall profile and the wall. Seal also the joints between the bottom profile and any upright profiles.



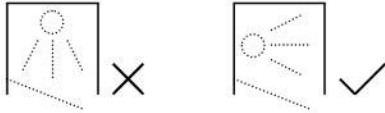
AFTERCARE

Cleaning Instructions

It is important to clean your April shower enclosure after every use. Please wipe down all glass and metal parts with a clean soft cloth. Ensure that all residual water on the glass is removed after every use.

Usage

For reliable, watertight performance from your April enclosure your shower head should not be positioned so that the shower sprays directly onto the enclosure door. Failure to comply with this may cause the shower to leak. Outward opening doors may cause water to drip onto the floor, please ensure that the floor covering immediately outside the enclosure will not be affected by water.



Clean & Clear™
Easy Clean Glass Treatment

This product has been treated with Clean & Clear™ easy clean glass treatment, a protective barrier which creates a 'non-stick' surface on your glass, helping to resist lime scale build up and water spots. For further information on Clean & Clear™ please visit www.aprilproducts.co.uk

Aftercare

Clean & Clear™ glass can be cleaned with any suitable nonabrasive glass cleaner - with PH value of between 3-11; the coating will not be damaged. Avoid surfactants and heavily perfumed products. Vinegar and water based products are very effective. Do not use abrasive scrubbing cleaners or equipment for cleaning.

Warranty

Limited 5 year Warranty for Clean & Clear™ treatment: To guarantee treated surfaces will remain more repellent than untreated glass for 5 years from start of use, as long as basic manufacturer maintenance recommendations are followed and no harsh or abrasive cleaners are used.