

Important Technical Data

Minimum operating pressure 1.5 bar
Maximum operating pressure 5.5 bar*

Maximum hot water temperature 70°C*
Recommended hot water temperature 46°C

Note: If these temperatures or pressures are exceeded, even for short periods, damage can result. In these instances a thermostatic mixing or pressure reducing valve should be installed.

All Abode taps are either WRAS approved or manufactured in accordance with recognised European standards. Please ensure that your Abode Kitchen mixer is fitted in accordance with Local Water Byelaws.

These installation guidelines have been prepared for your direction and you must exercise due care at all times. We do not accept responsibility for problems that may occur through improper installation. Whilst assembling the tap take care not to accidentally loosen any screwed assemblies.

Abode is a registered trademark of Abode Home Products Limited.

Manufacturers Product Reference



©Abode
11/2016

Virtue Nero Pull Out Spray



5 Year warranty Terms and Conditions

In the unlikely event that you should experience any defect in the materials or workmanship of your new Abode mixer within 5 years of purchase, the purchaser's sole remedy shall be the replacement (at the manufacturer's discretion) of all or any part of the product that is defective. All working parts and valves are guaranteed for a period of 5 years from purchase. Decorative surface finishes and O-rings are guaranteed for 1 year from the date of purchase provided that our advice concerning care has been observed and no scouring agents have been used. This is provided that the mixer or tap has been used for normal domestic purposes and that the care, installation and maintenance instructions have been observed. The warranty extends to the original purchaser only.

Marks, scuffs and scratches caused by improper installation or accidental damage are not covered by this guarantee. Neither are shade variations or any damage or defect caused by incorrect installation or abuse of the fitting.

Care Instructions for your Kitchen Sink tap

To maintain the appearance of this product, ensure that it is regularly cleaned only using a clean, soft damp cloth. A solution of warm water and a mild liquid detergent may be used where necessary, and then the fitting rinsed thoroughly and wiped dry. Any other cleaning action will invalidate your warranty.

If the mixertap has a diffuser it should be unscrewed and cleaned periodically in warm water.

Abrasive cleaners, scouring cleaners and acidic cleaners **must not be used** under any circumstances. Avoid contact with all solvents (including chlorinated solvents, ketones or acetones as these may result in surface deterioration or etching). Also avoid contact with any harsh household chemicals such as oven cleaners, drain cleaners, rust removers, paint strippers and toilet bowl cleaners, bar keepers friend or Brasso.

Please leave these instructions for your customer.

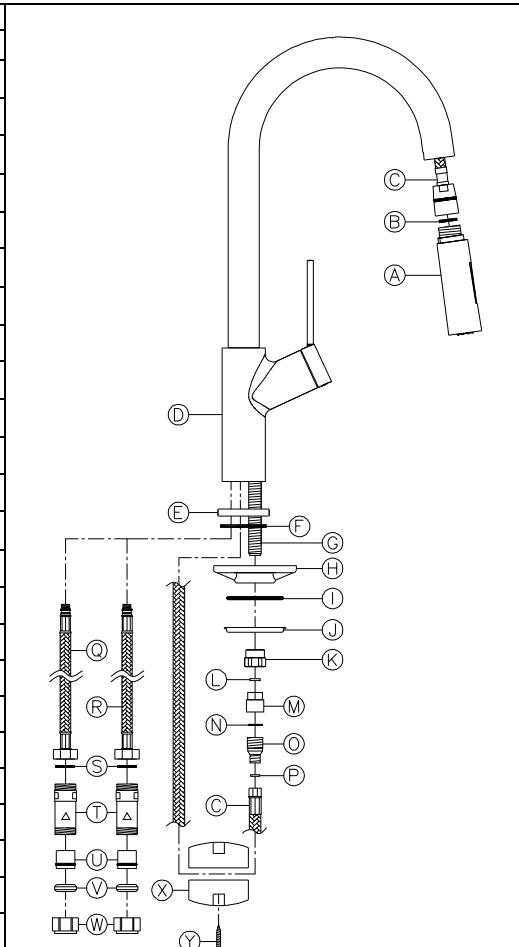
abode

Abode Home Products Limited, Unit L, Zenith Park, Whaley Road, Barnsley, S75 1HT.
Tel: 01226 283434 Fax: 01226 282434 www.abode.eu

All errors and omissions excepted.

Parts and Contents

Key	Description	Qty
A	Spray head	1
B	Rubber seal	1
C	Spray hose	1
D	Mixer body	1
E	Base plinth	1
F	Upper seal	1
G	Fixing stud – mixed water outlet	1
H	Triangular stabilising bracket	1
I	Lower gasket	1
J	Metal horseshoe	1
K	Fixing nut	1
L	Fibre washer Ø10.5mm	1
M	Female adaptor nut	1
N	Rubber washer	1
O	Male adaptor nut	1
P	Fibre washer Ø8.5mm	1
Q	Hot Flexible tail	1
R	Cold Flexible tail	1
S	Rubber washers	2
T	Non-return valve case	2
U	Non-return valve	2
V	Olives	2
W	Nuts	2
X	Hose weight	1
Y	Screws	2



Installation Instructions:

Preparation

Before installing the new mixer it is essential that you thoroughly flush through the supply pipes in order to remove any remaining solder, swarf or impurities from your system. Failure to carry out this simple procedure could cause problems or damage to the workings of the mixertap.

We strongly recommend installing particle filters and isolation valves to both the hot and cold feed pipes in an accessible position. This will help to prevent premature failure of the valves and ease any future maintenance.

All parts should be removed from their packaging and inspected for any transport damage prior to installation.

Shut off your water heating system and ensure that your mains stopcock is closed. Open the lowest hot and cold taps in the house and allow the water to run until the cold-water storage tank and pipes are fully empty. Please note, the hot water storage cylinder (if applicable) will always remain full.

This mixertap requires a Ø35mm tap hole, if replacing an existing tap, remove the tap & clean the end of the feed pipes using wire wool the tap hole area should be free from dirt and sealant. Loosely position the tap and tail pipes to check if any alteration to the existing pipework is required, if this is the case do this now.

The installation of this product should respect requirement IRN R090.

Installation

1. Screw hot and cold flexi tails (Q, R) into the base of mixer body (D)
2. Screw spray head (A) to spray hose (C) as shown ensuring rubber seal (B) is in place.
3. Pass the opposite end of the spray hose (C) through the spout and out of the bottom section of the mixer body (D) as shown.
4. Pass the base plinth (E) and upper seal (F) over the tails (Q, R), fixing stud (G) and spray hose (C) up to the base of the mixer body (A).
5. Pass the fixing stud (G), the hot and cold flexi tails (Q, R), and the spray hose (C) through the tap hole.
6. Pass the Triangular stabiliser (H), lower gasket (I) and then metal horseshoe (J) over the fixing stud (G) and around the tails (Q, R) up to the underside of the worktop/sink.
7. Fasten fixing nut (K) securely onto the fixing stud (G) to fix the tap (D) into its correct location
8. Screw the female adaptor nut (M) onto the fixing stud-mixed water outlet (G) ensuring Ø10.5mm washer (L) is in place
9. Screw the male adaptor nut (O) to the female adaptor nut (M) ensuring rubber washer (N) is in place.
10. Screw the mixed water outlet hose (C) onto the male adaptor nut (O) ensuring Ø8.5mm washer (P) is in place.
11. Connect non-return valve cases (T) to the hot and cold flexi tails (Q, R) ensuring seals (S) are in place, and that the arrows are facing the direction of the water flow.
12. Connect the non-return valve cases (T) to the hot and cold water feeds using the ½ BSP Nuts (W) and olives (V).
13. Fix lead hose weight (X) with screws (Y) as shown.

After installation

Once you have visually checked the new fittings and connections, ensure that all taps are closed except the new mixer tap which should be left open. Turn on the water supply at the mains stop cock. As the system starts to refill, check carefully for leaks. Once you are fully satisfied that there are no leaks, turn on the water heating. Clean the tap to remove any marks created during installation as instructed then place the cloth bag that has been provided to protect the tap until it is ready for use.