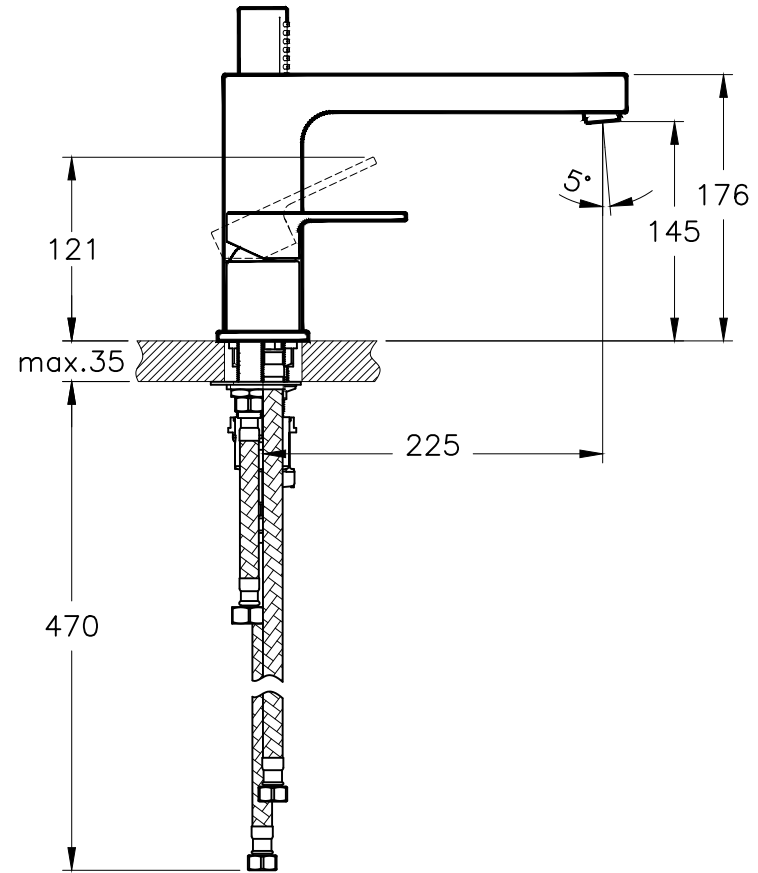
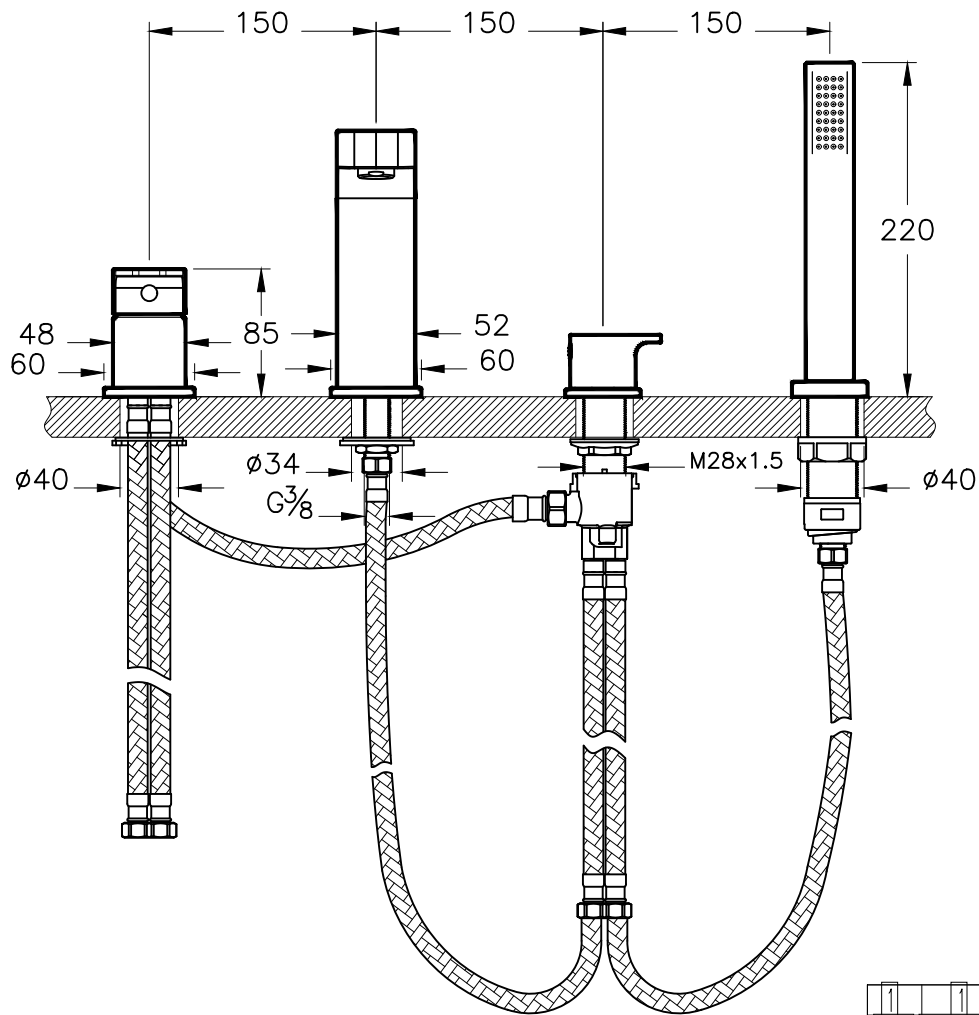


Theoretic Mass(kg)	Revision
Surface Area(dm ²)	A4

Thread	Hole	Shaft



1	1	Bath Mixer (deck mounted)	A42531		
Item	Quantity	Part Name	Drawing No	Material	Material Class
		Series	Material	Material Class	
		Q-LINE	Bath Mixer (deck mounted)		
Drawn By	Controlled By	Approved By	Date	Drawing No	Scale
T. CETINEL	M. CIFTCI	V. SARIGOL	14.10.2017	A42531	1/5
R.S.	Description	Date	NAME	VitrA® ART.EMA	