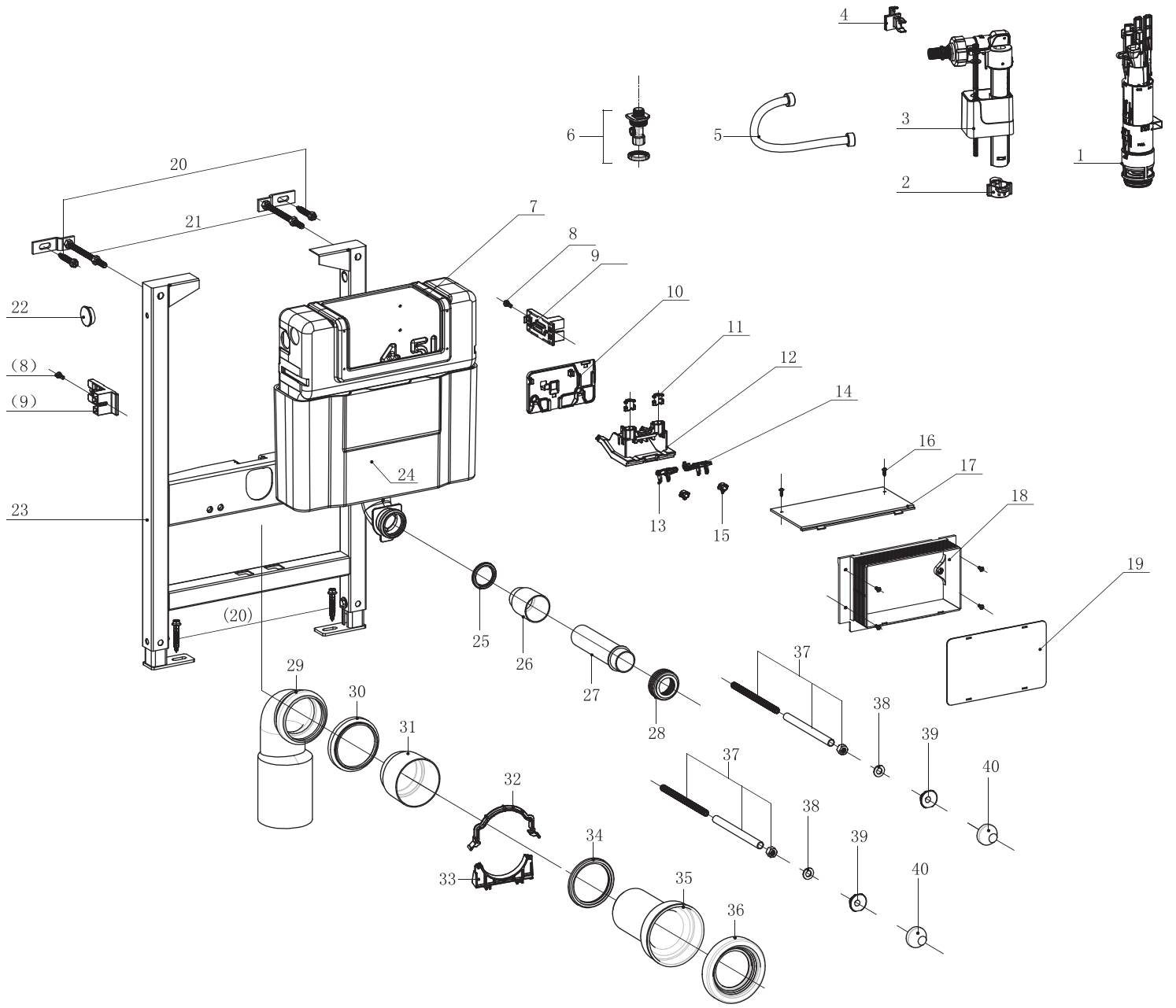


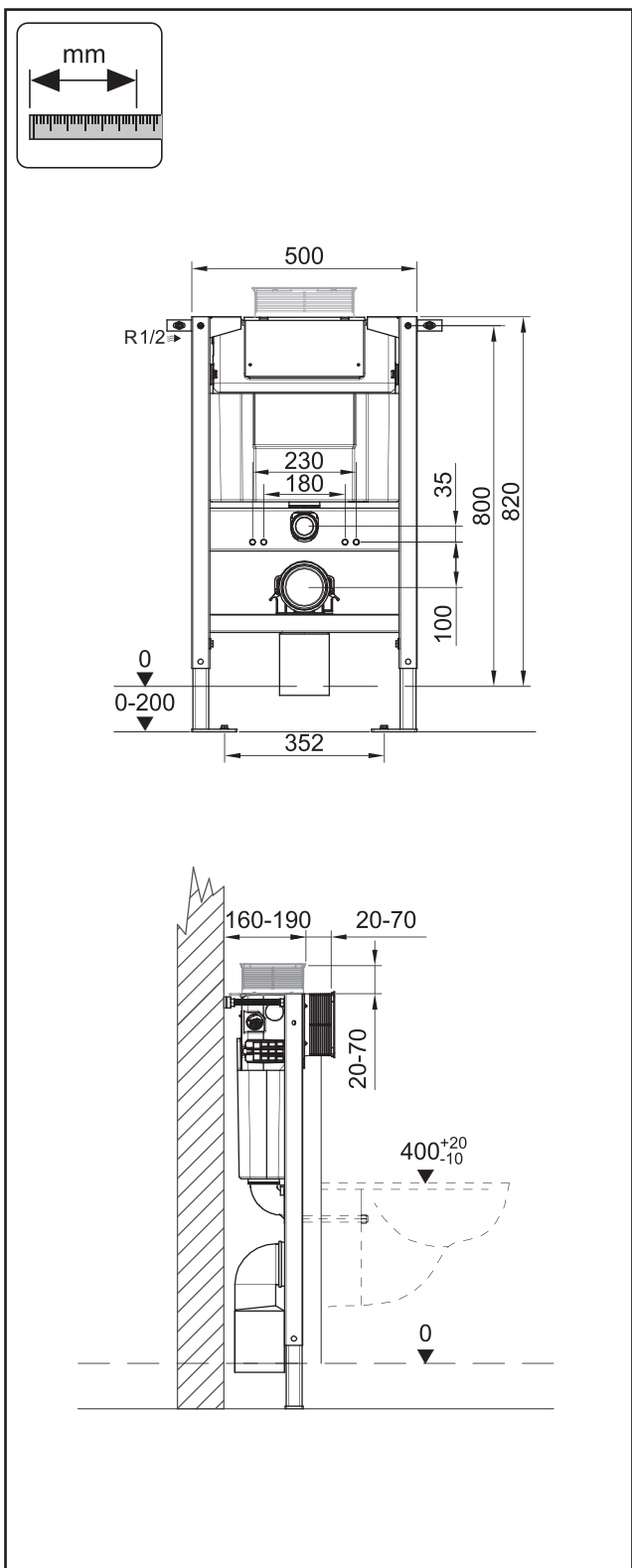
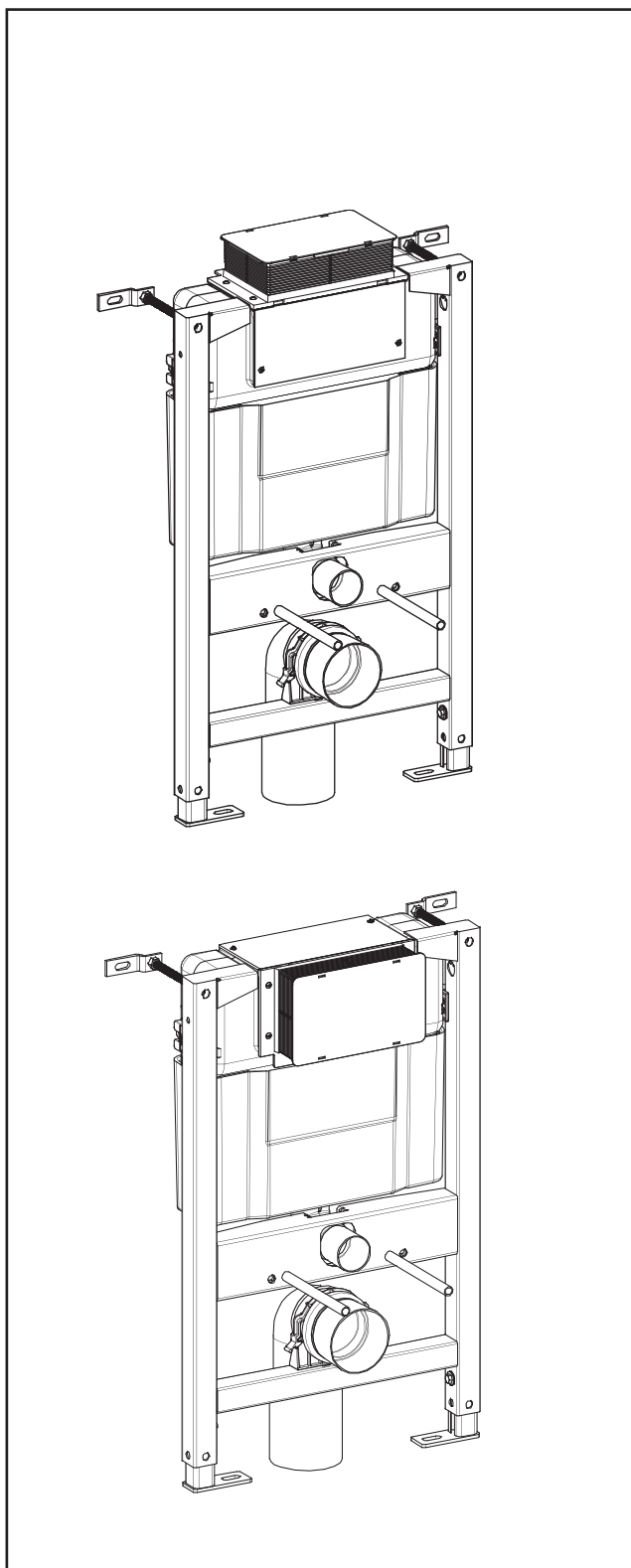
installation instructions

WCF82X50+

bauhaus 

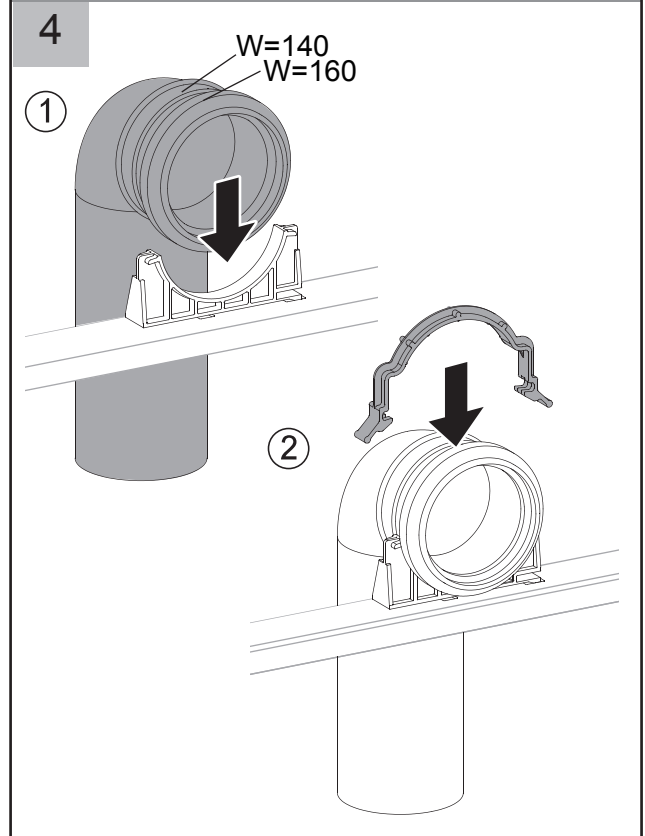
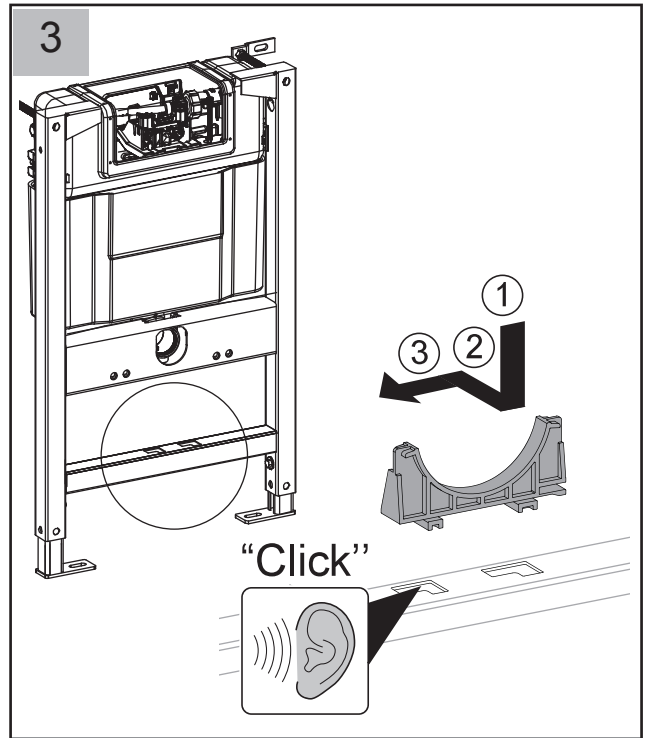
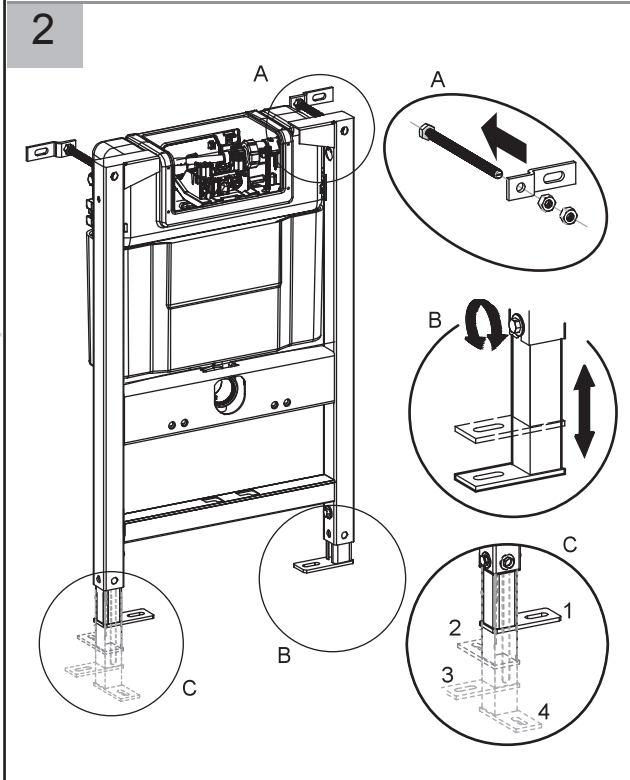
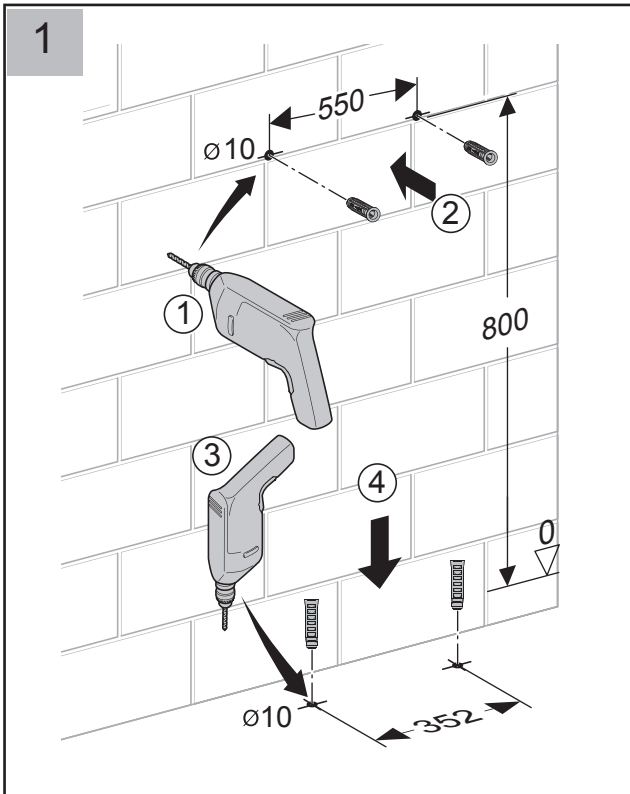


No.	Description	Quantity
1	Dual Flush	1
2	Fill Sleeve	1
3	Fill Vavle	1
4	Fill Clip	1
5	Soft Pipe	1
6	Angle Valve	1
7	Tank Component	1
8	Screw	2
9	Tank Hook	2
10	Fixing Plate	1
11	Adjust nut	2
12	Gearing Bracket	1
13	Full Swing Arm	1
14	Half Swing Arm	1
15	Adjust nut	2
16	Screw	6
17	Protection Cover	1
18	Protection bracket	1
19	Protection Cover	1
20	Expansion bolt	4
21	Wall fixation	2
22	Inlet Cover	1
23	K8044 Frame	1
24	Foam	1
25	Seal Ring	1
26	Embedded Part	1
27	Straight Scour	1
28	Seal Sleeve	1
29	Waste Elbow	1
30	Waste Elbow cover	1
31	Embedded Part	1
32	Top Pipe Clip	1
33	Down Pipe Clip	1
34	Seal Ring	1
35	Straight Pipe	1
36	Seal Sleeve	1
37	Bolt Component	2
38	Washer	2
39	Gasket	2
40	Nut Cap	2

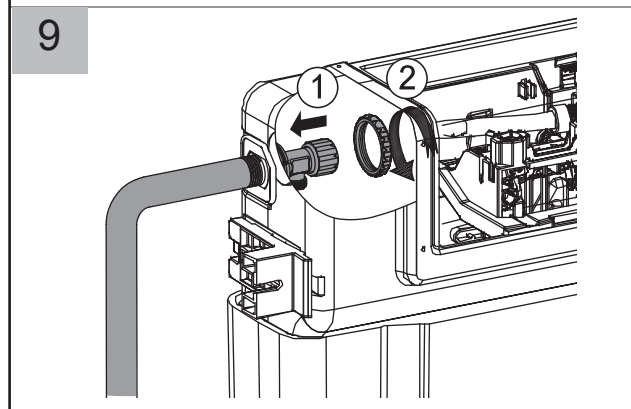
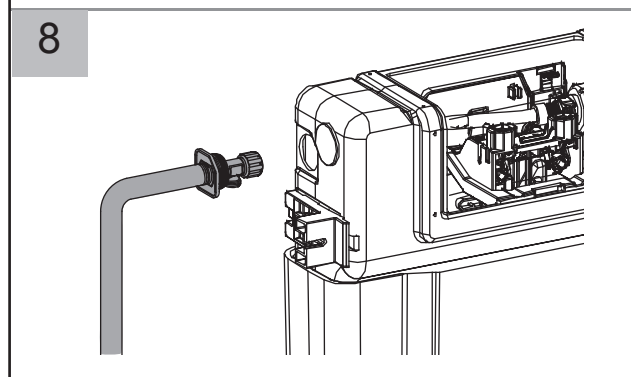
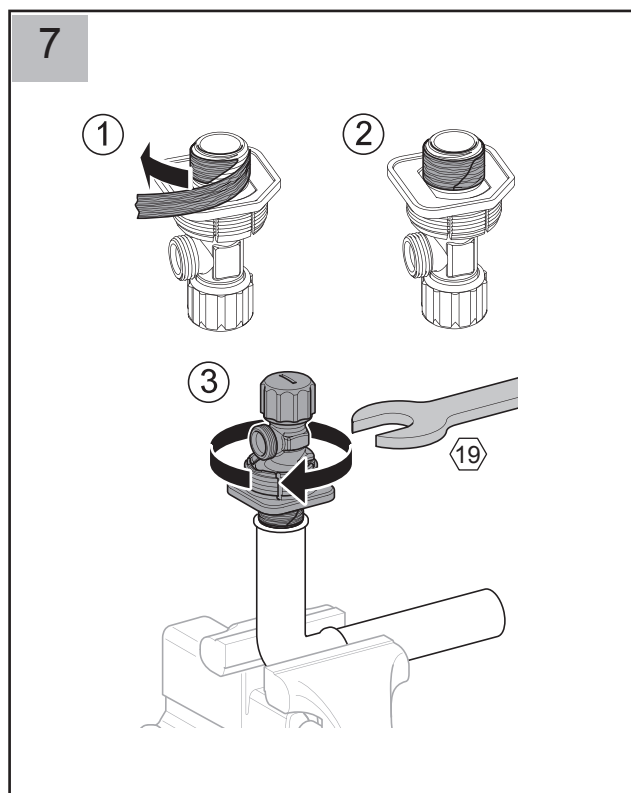
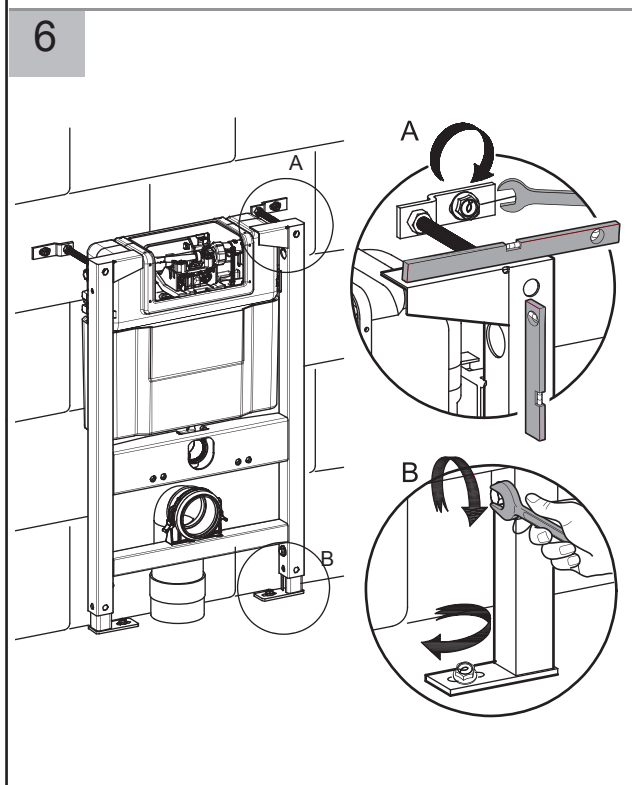
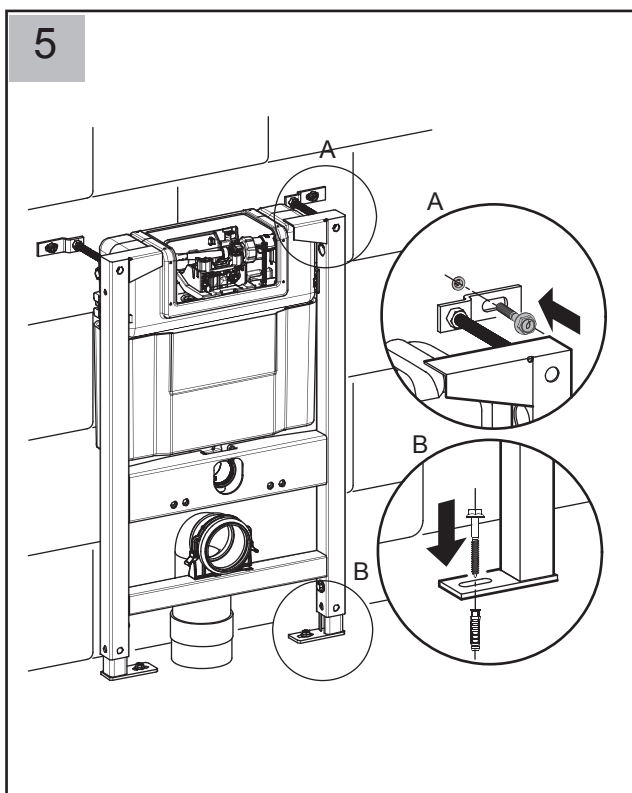


560420-1 17-1.4

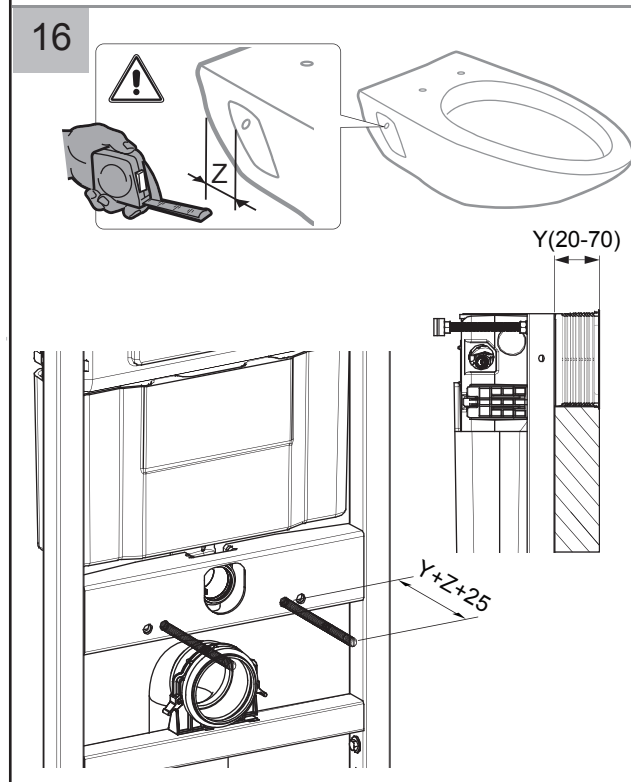
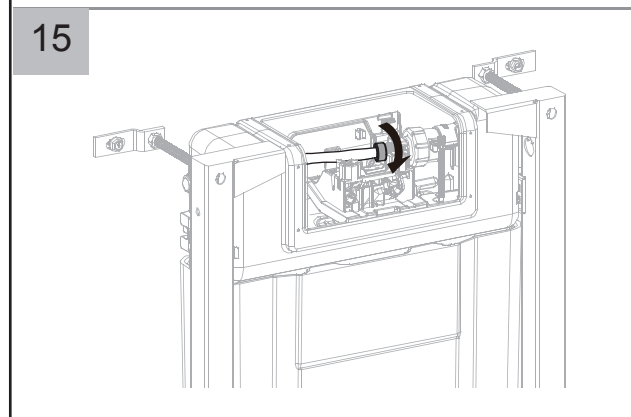
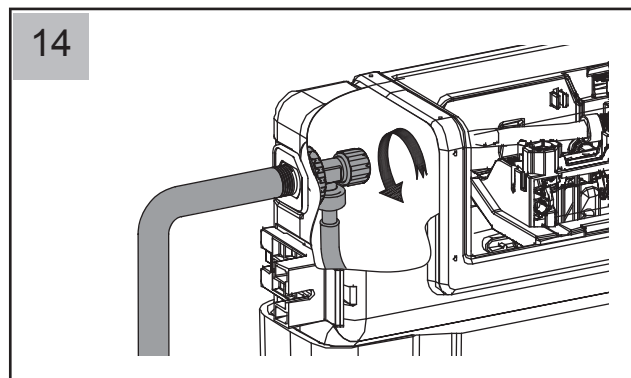
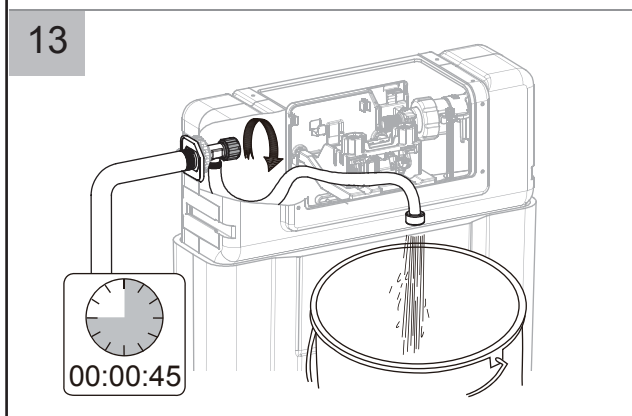
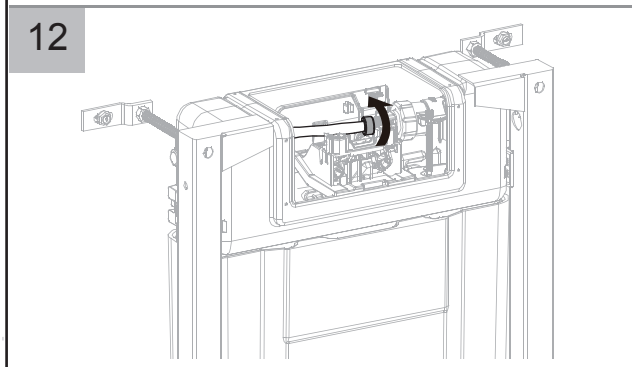
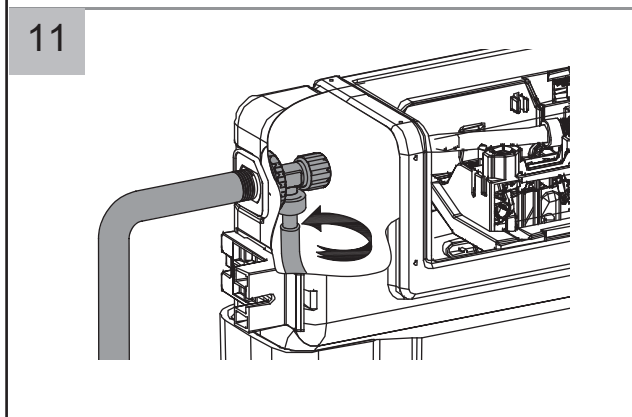
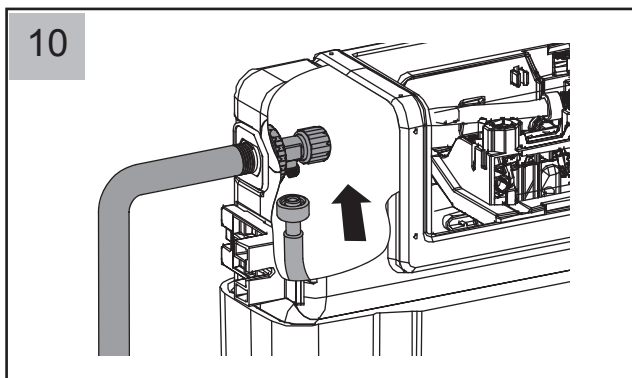
Installation



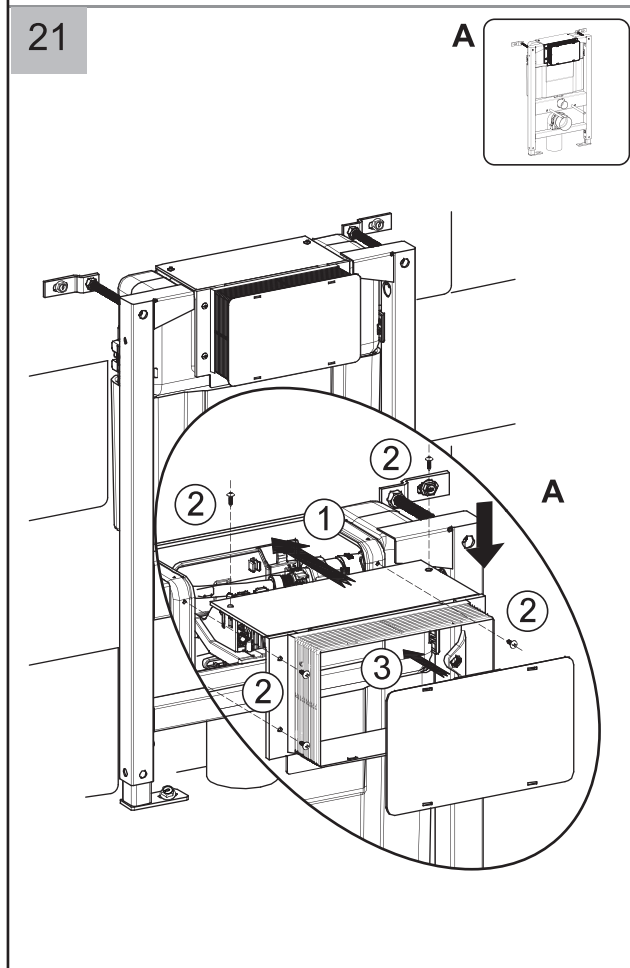
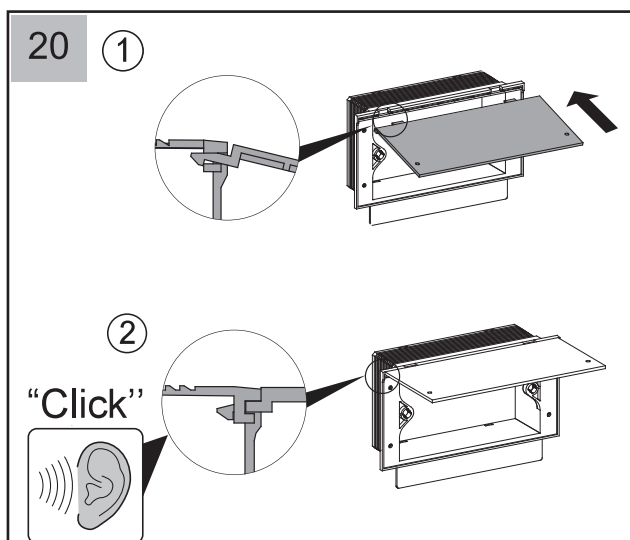
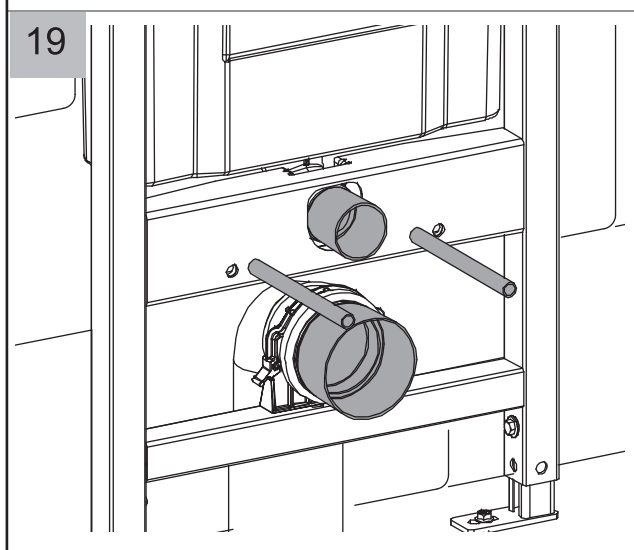
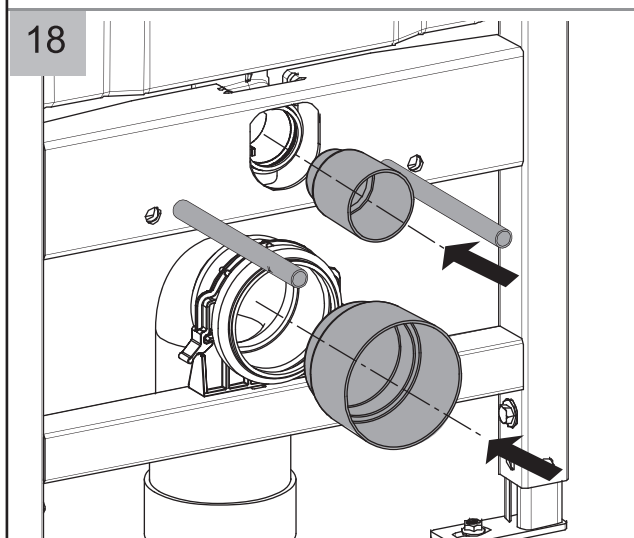
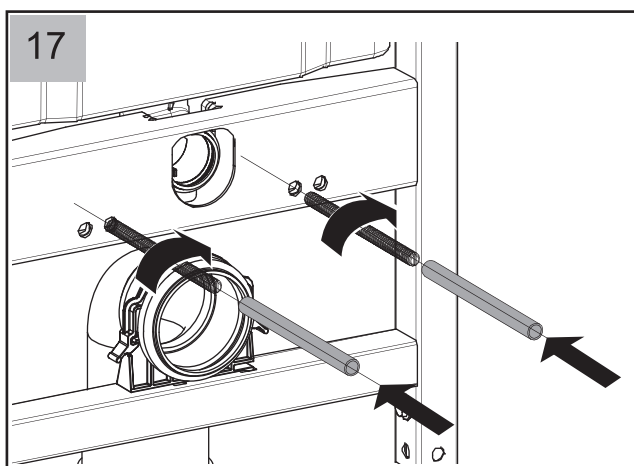
Installation



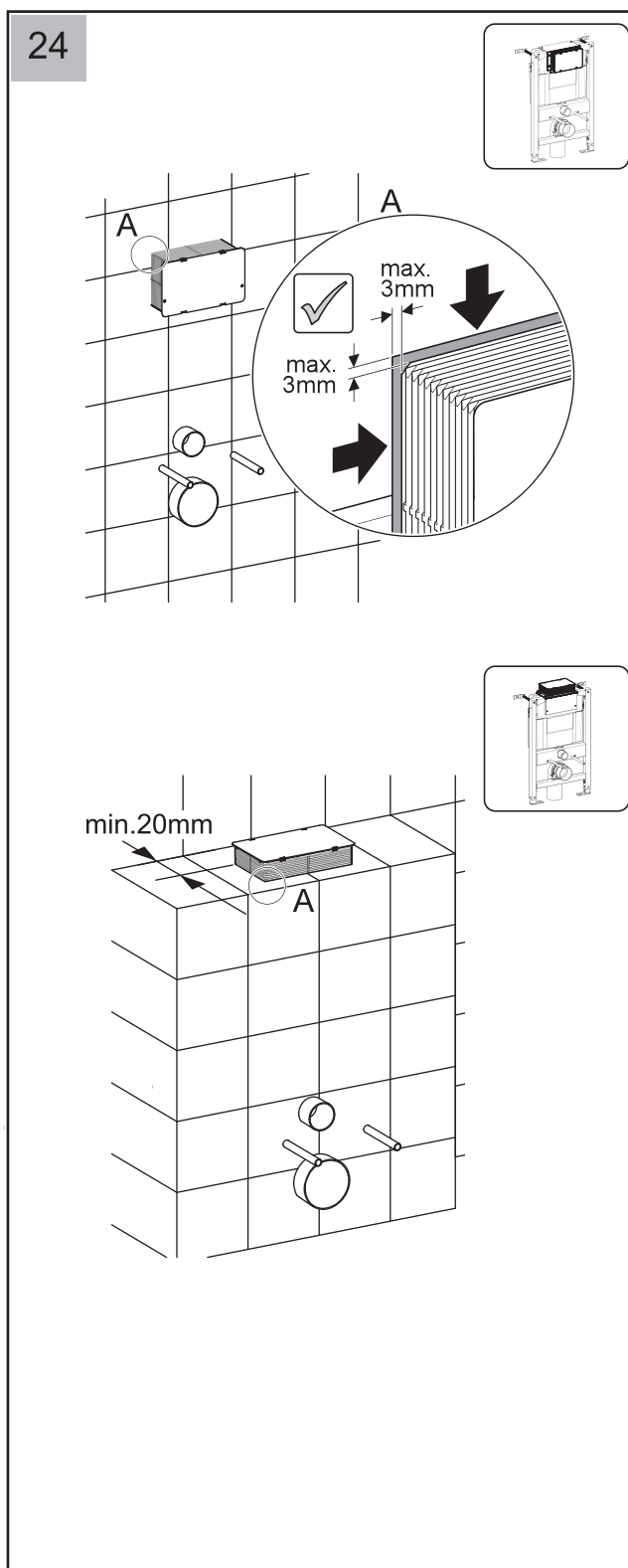
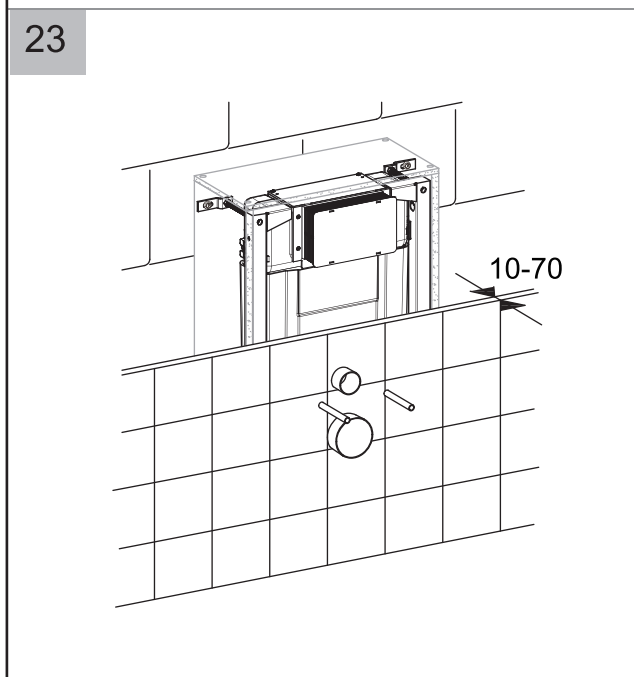
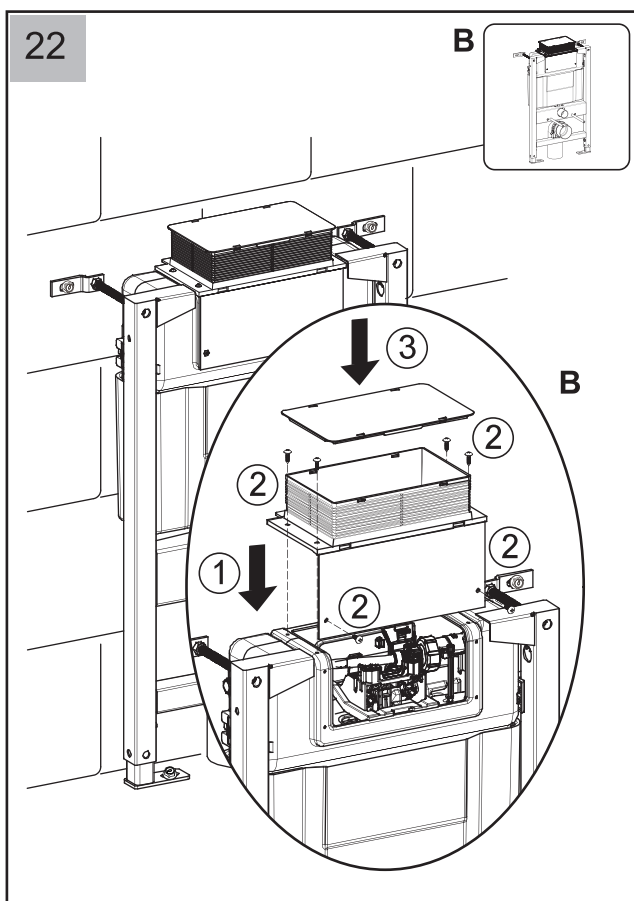
Installation



Installation

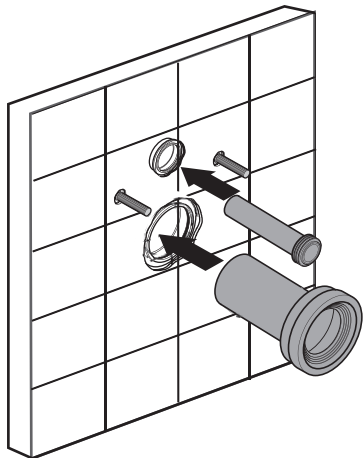


Installation

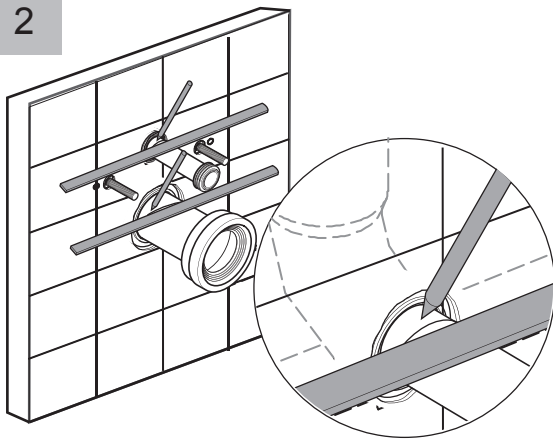


Installation

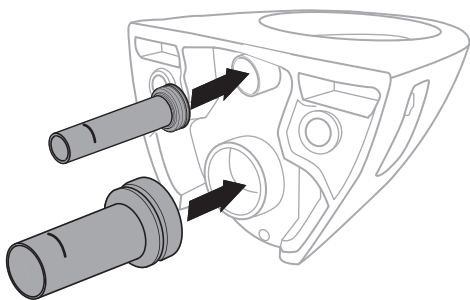
1



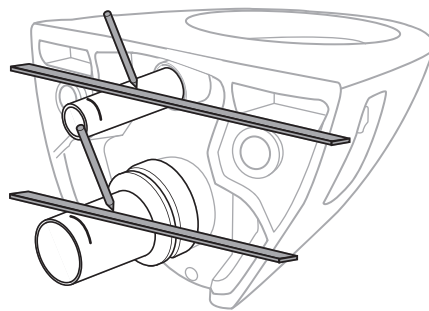
2



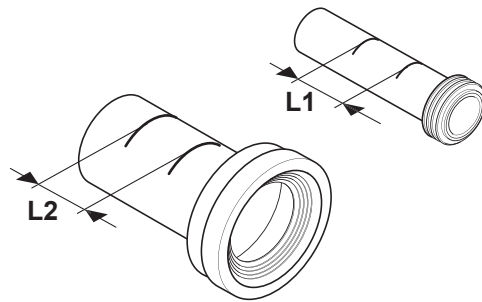
3



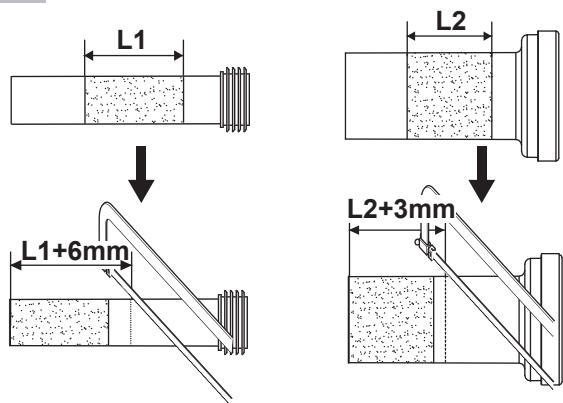
4



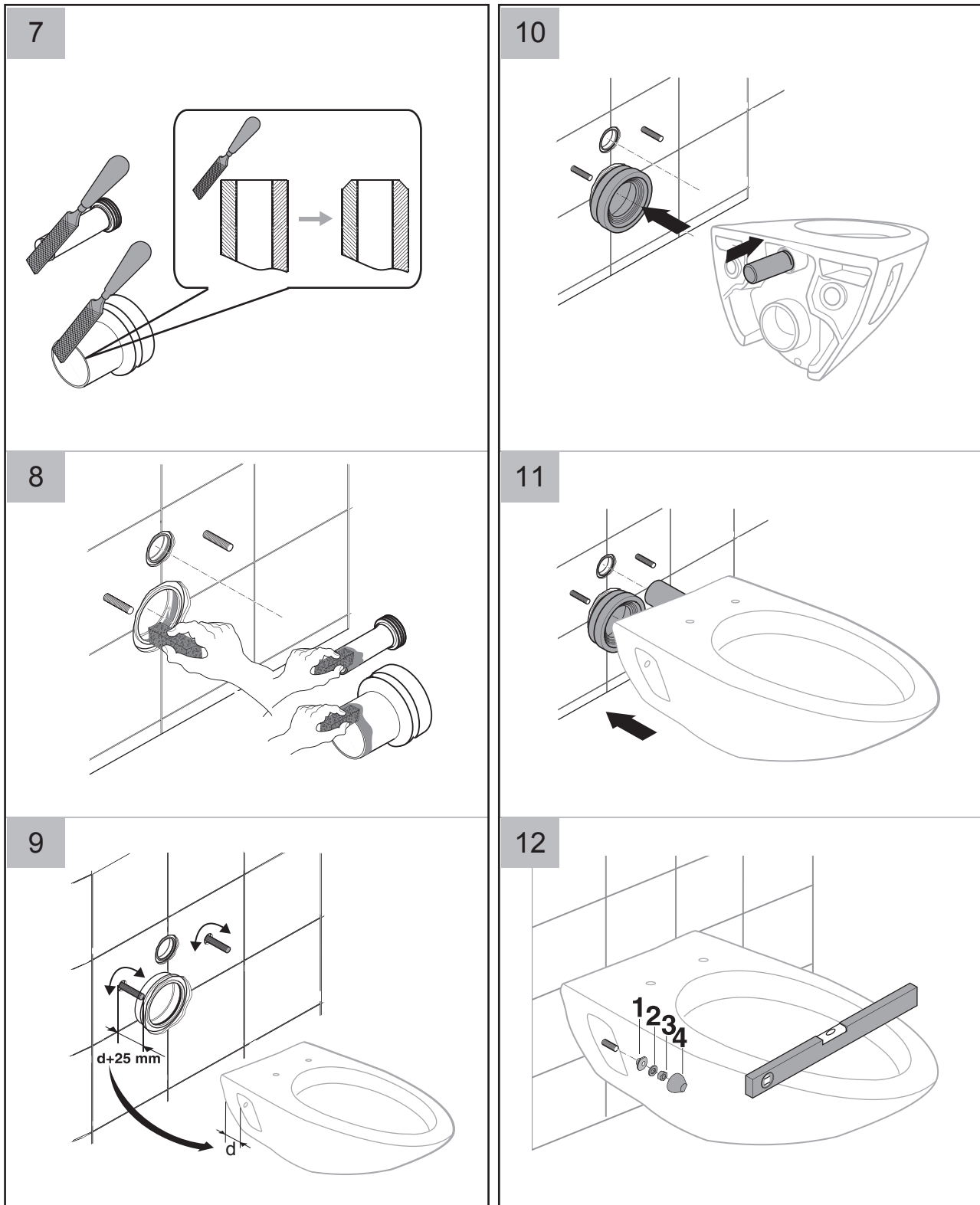
5



6



Installation



For any further information please contact

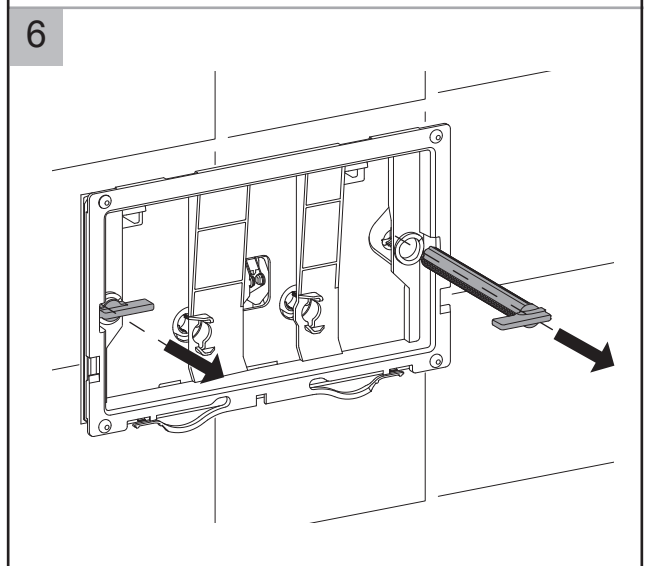
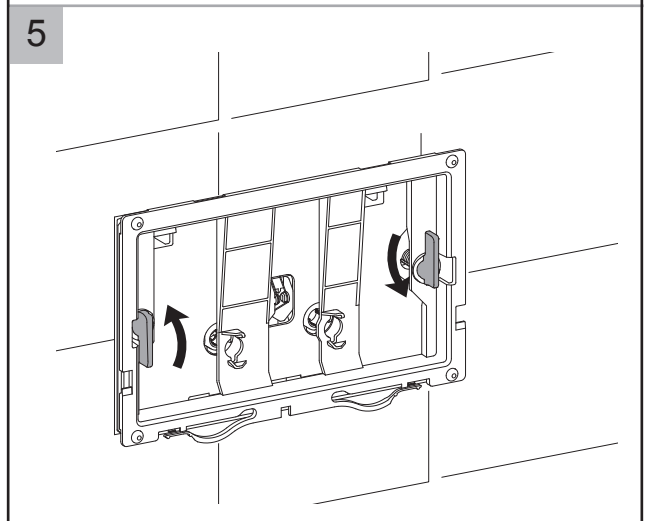
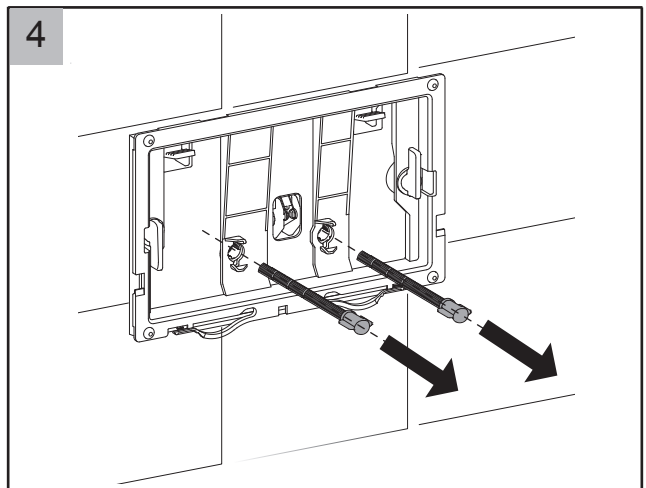
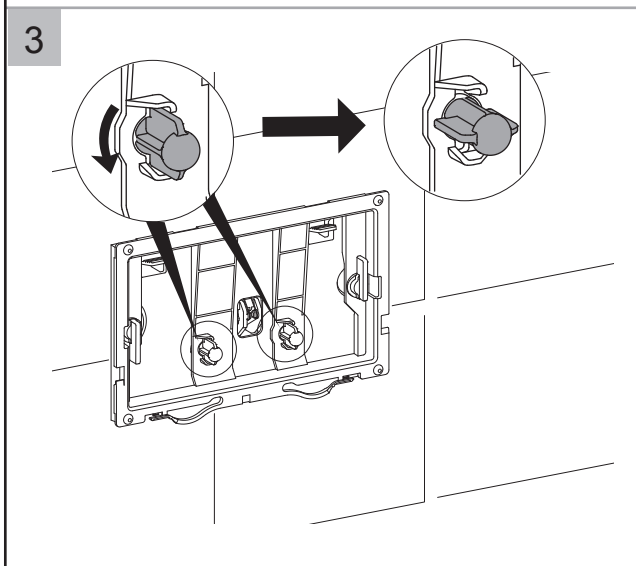
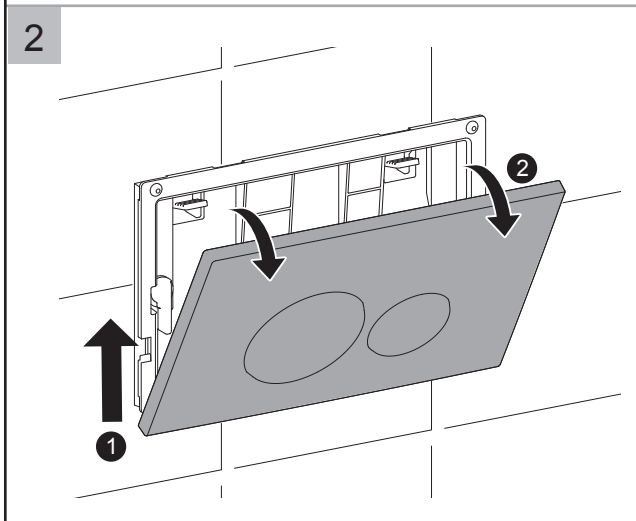
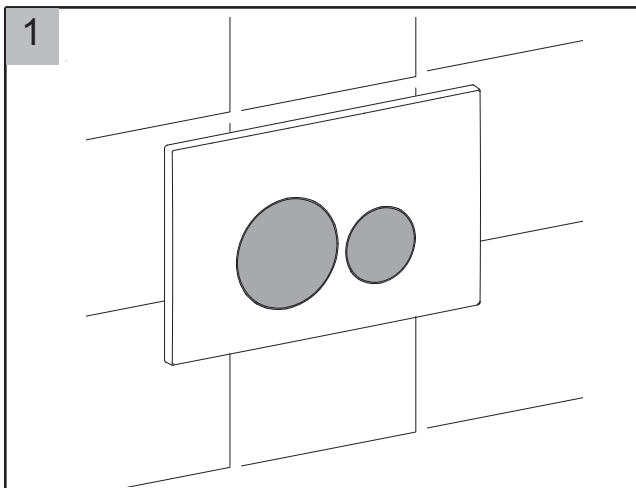
Bauhaus on: **0345 873 8840**

Or visit our web-site at:

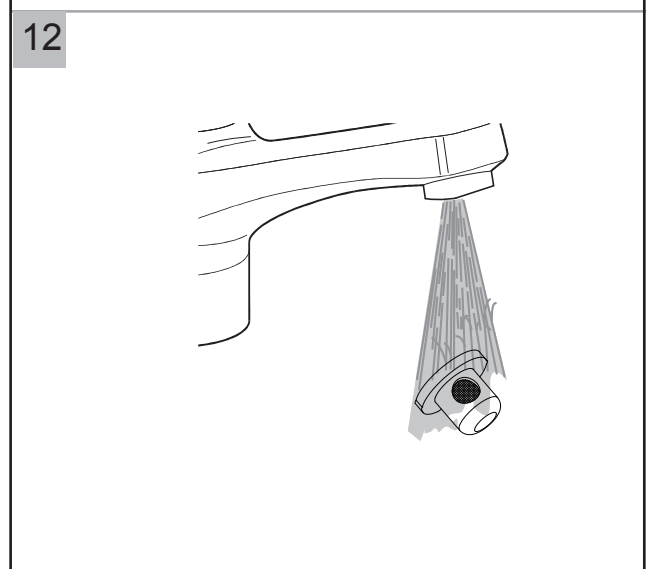
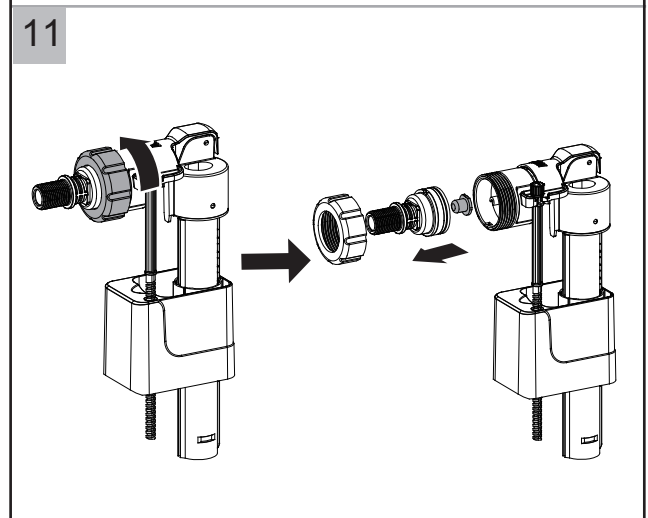
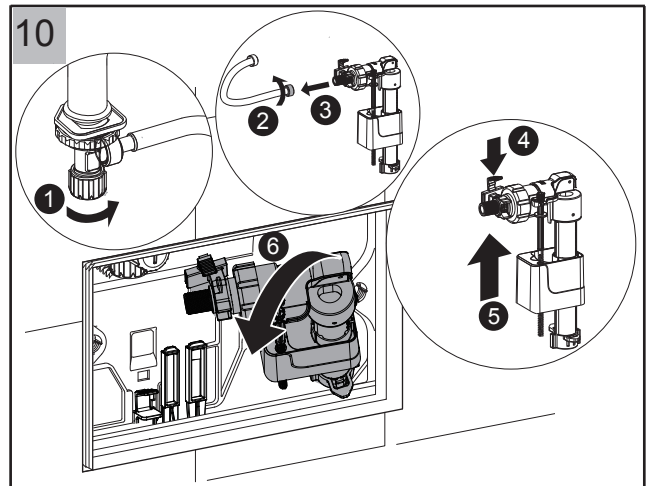
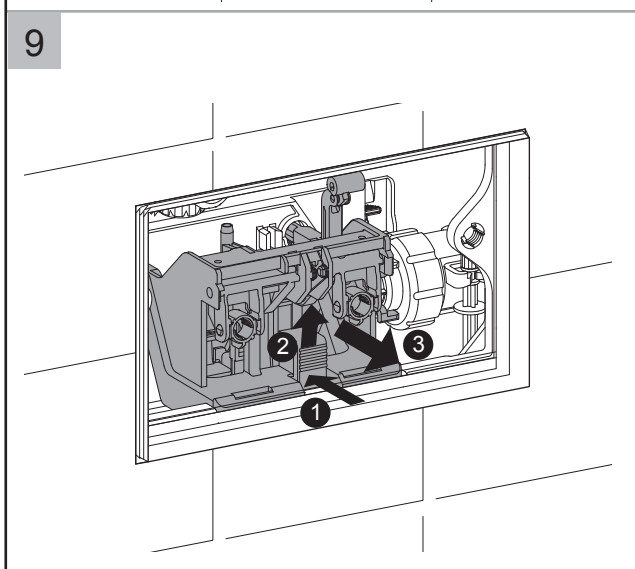
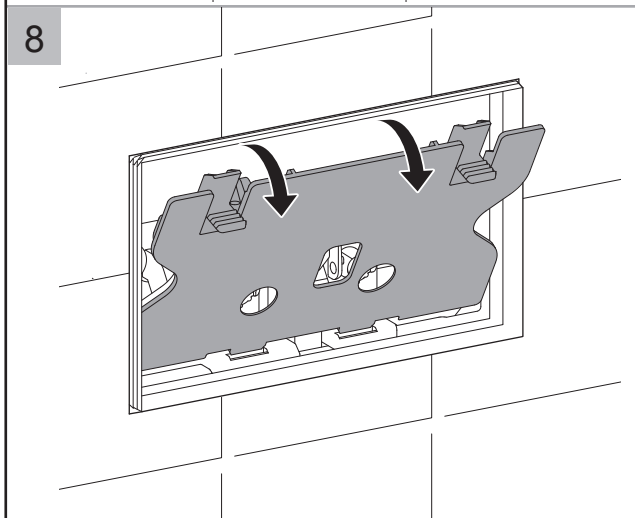
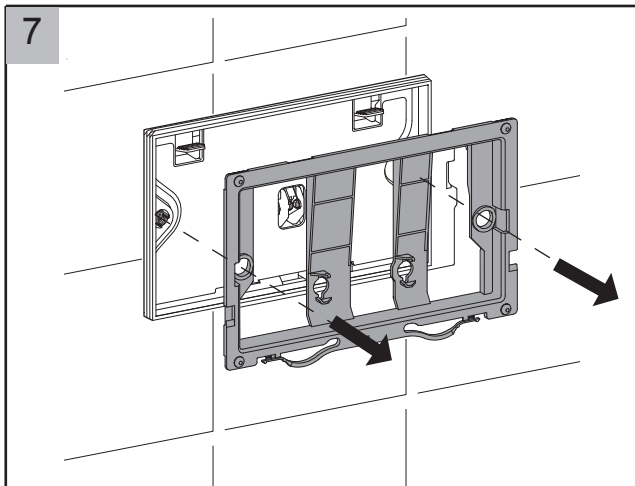
www.bauhaus-bathrooms.co.uk

The manufacturer reserves the right to make technical modifications without prior notice.

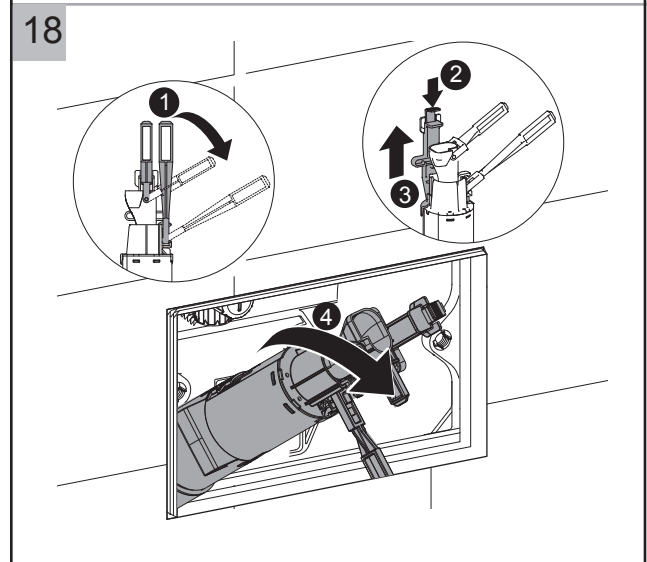
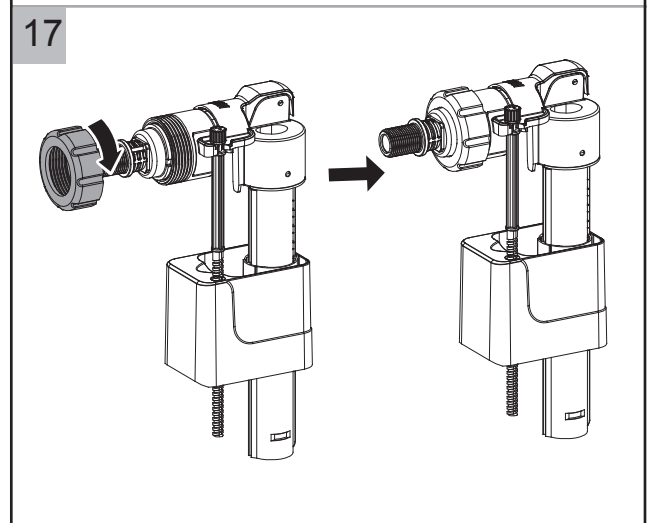
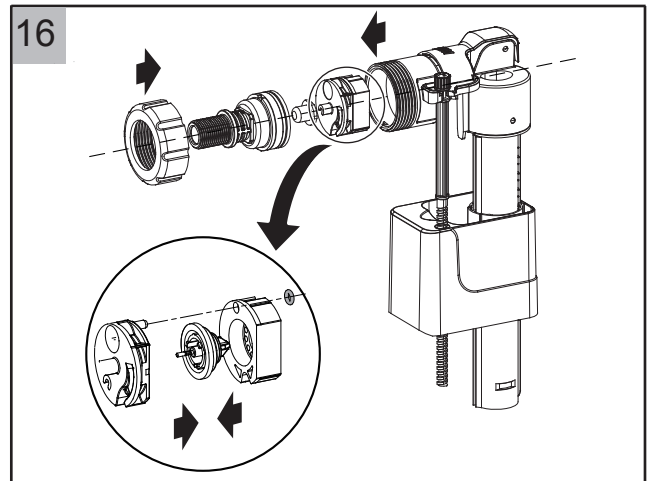
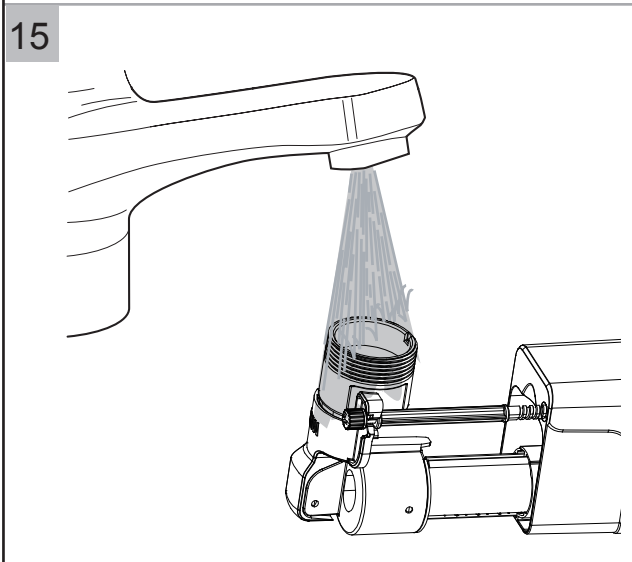
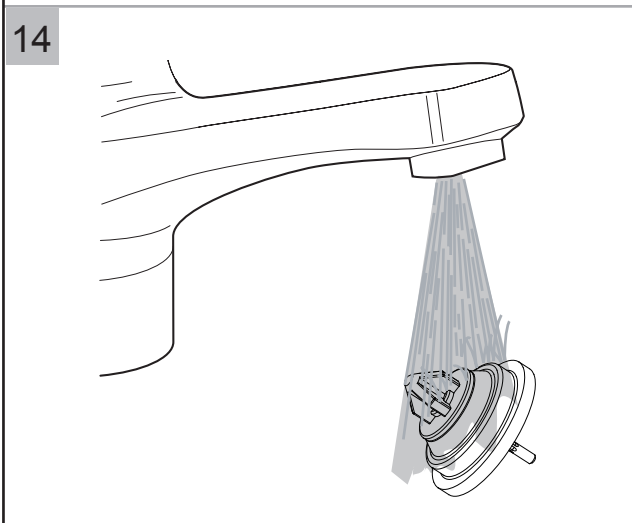
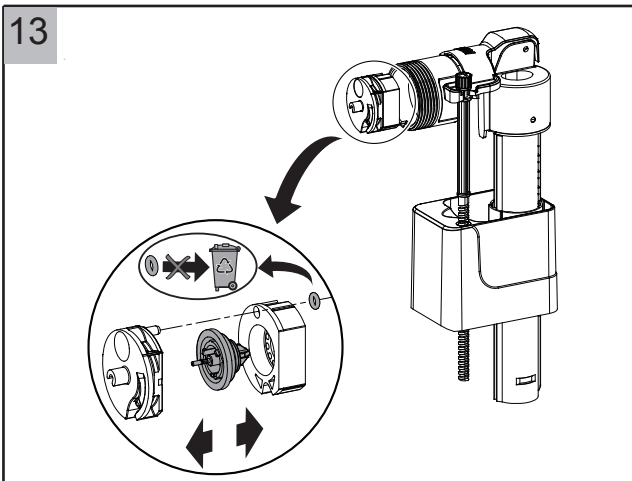
Maintenance for Concealed Cisterns



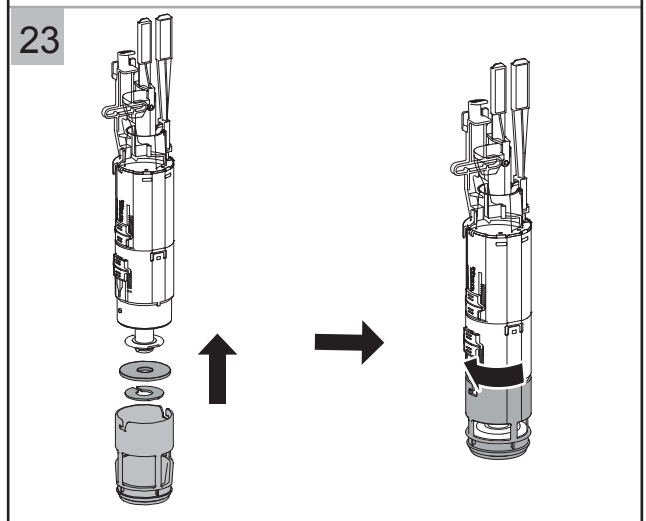
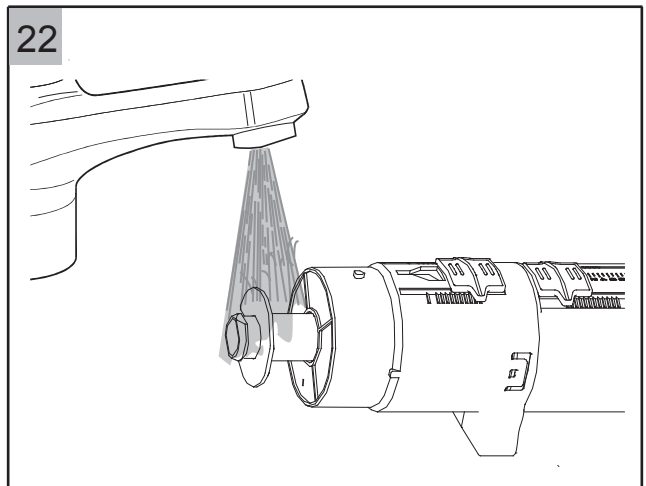
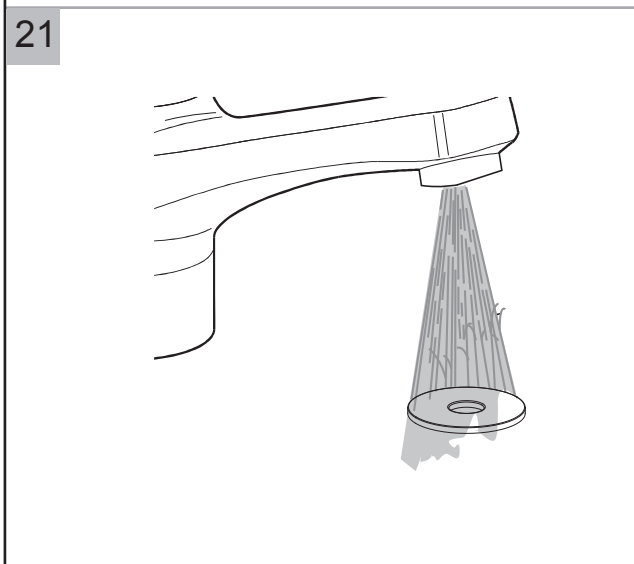
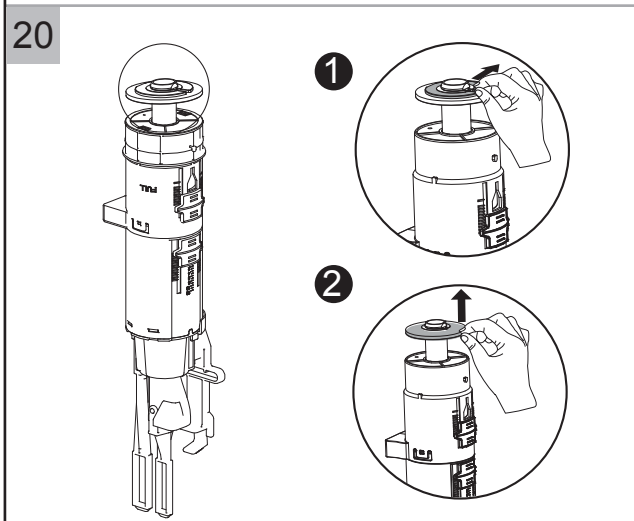
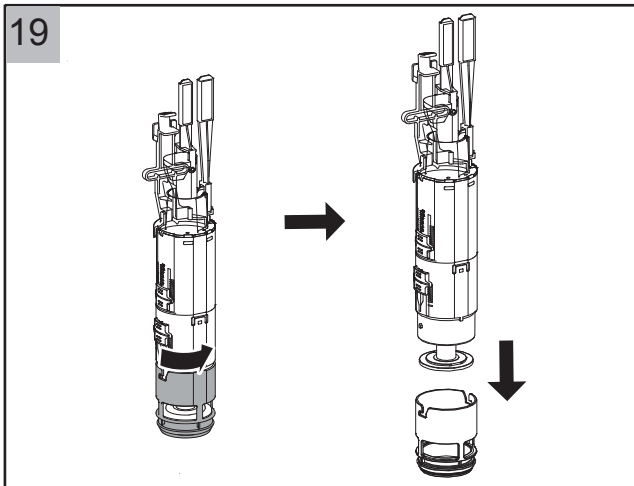
Maintenance for Concealed Cisterns



Maintenance for Concealed Cisterns

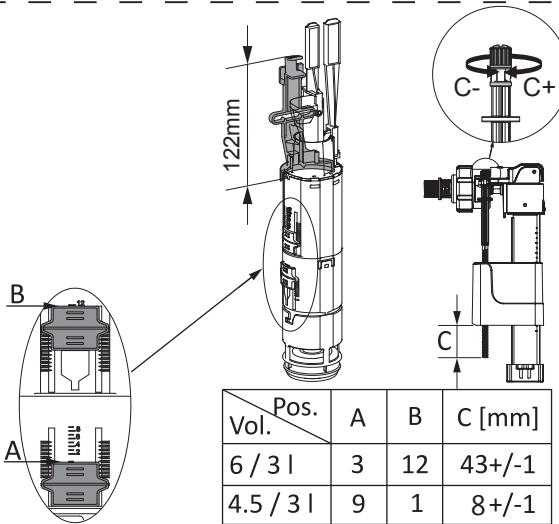
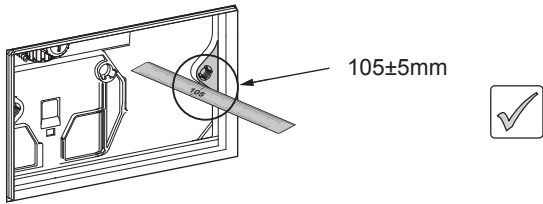


Maintenance for Concealed Cisterns

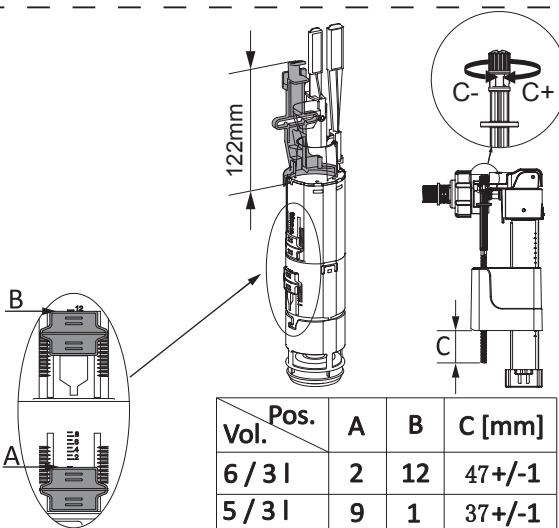
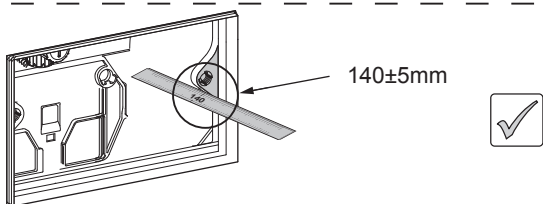


Maintenance for Concealed Cisterns

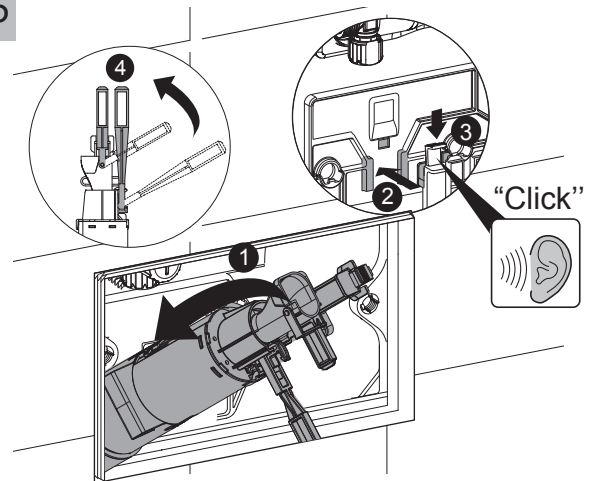
24



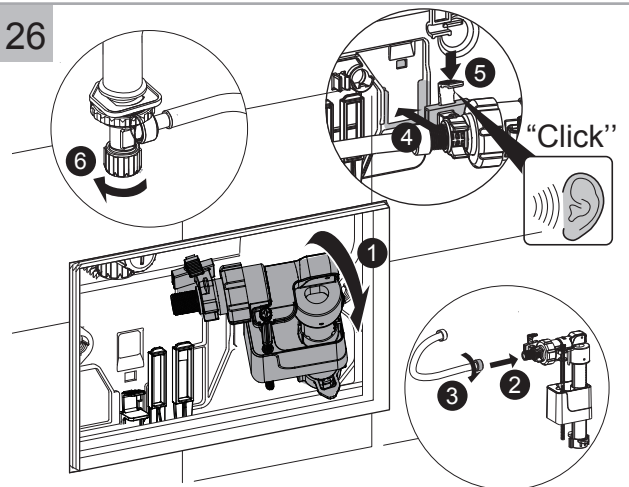
OR



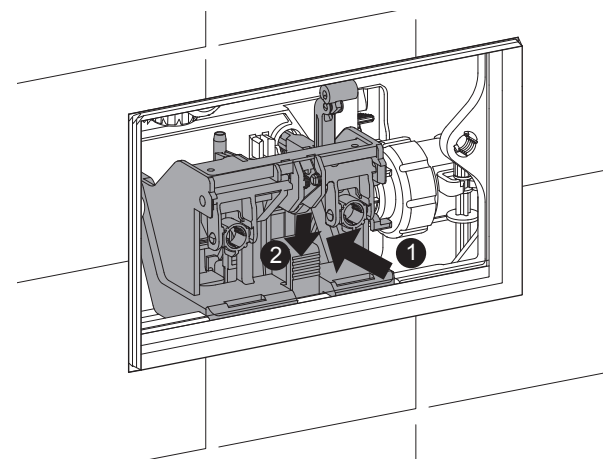
25



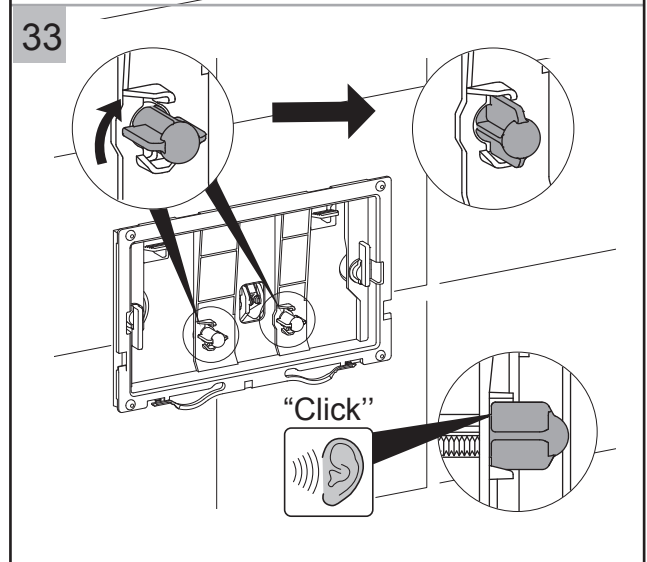
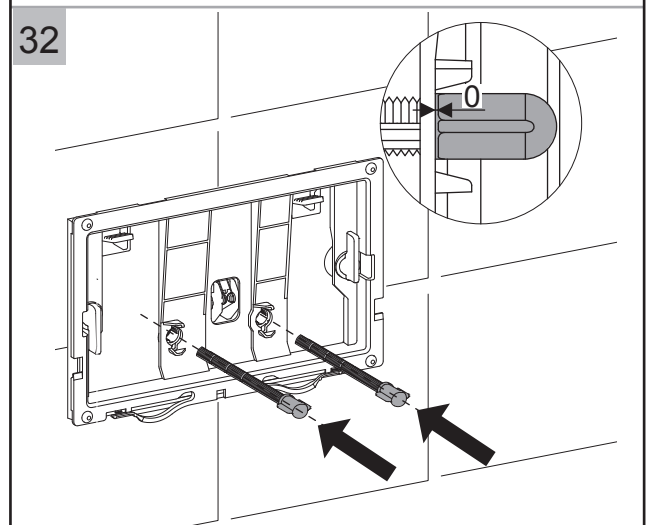
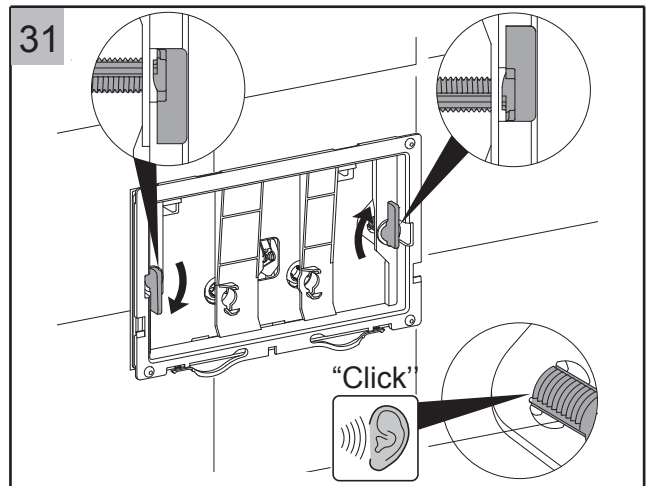
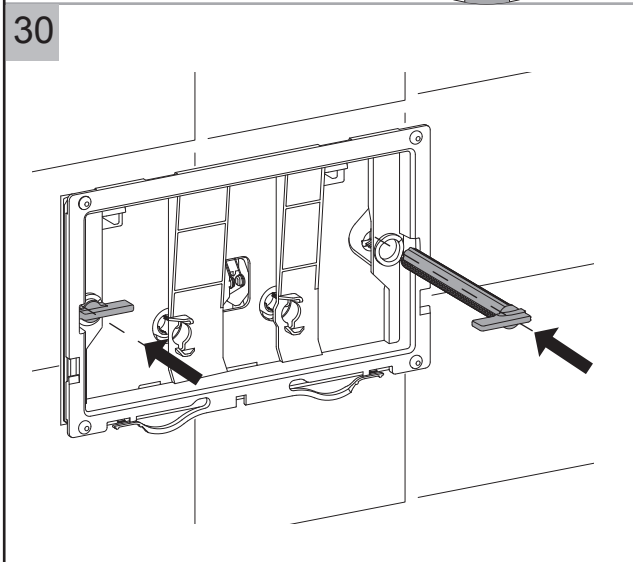
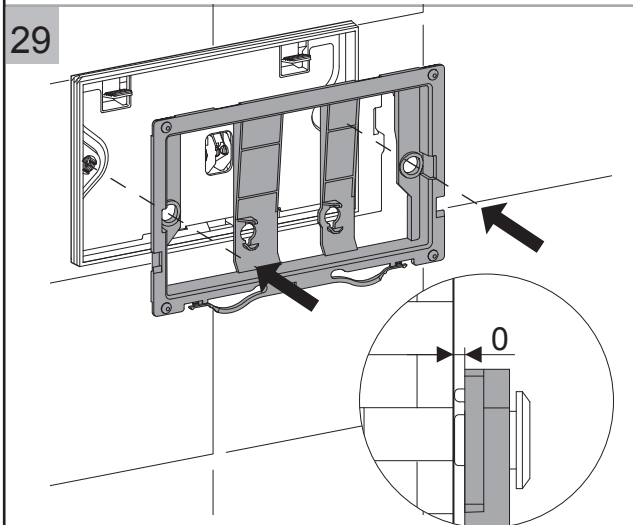
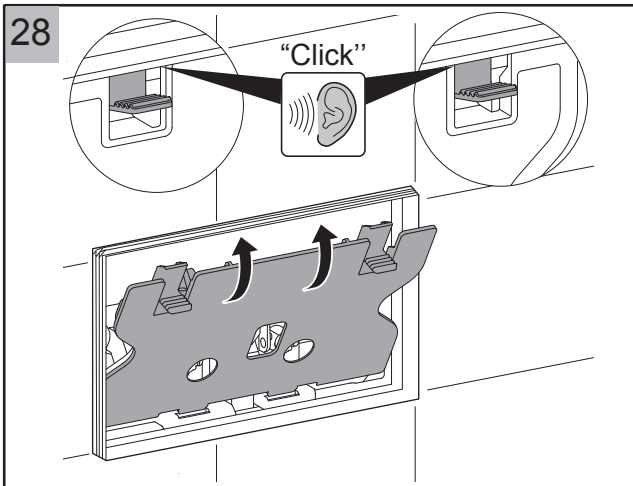
26



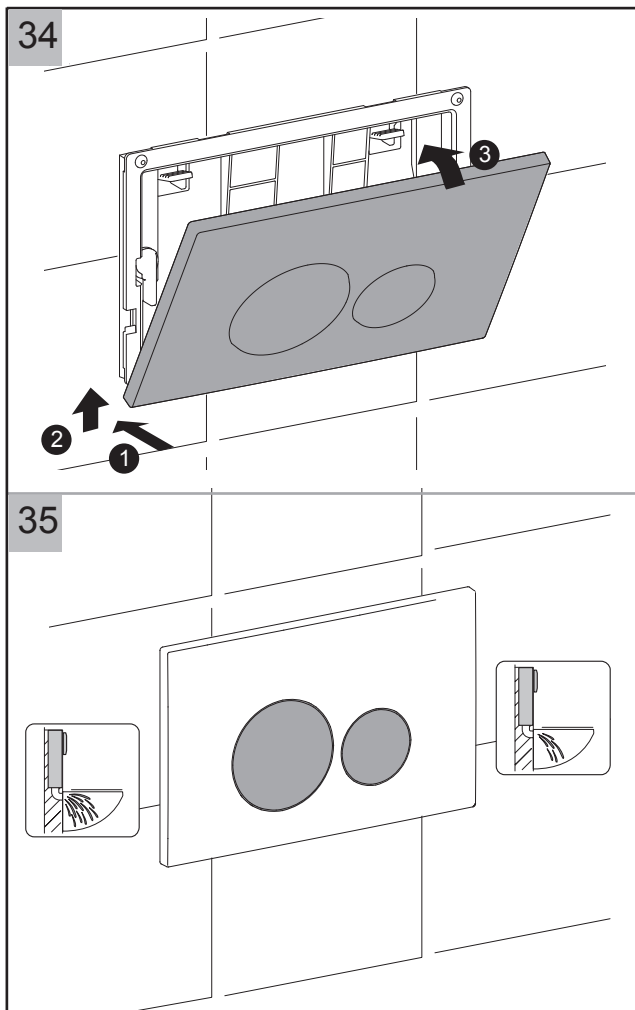
27



Maintenance for Concealed Cisterns



Maintenance for Concealed Cisterns



For any further information please contact

Bauhaus on: **0345 873 8840**

Or visit our web-site at:

www.bauhaus-bathrooms.co.uk

The manufacturer reserves the right to make technical modifications without prior notice.