

TAP062EM - ELEMENT BATH FILLER



ILLUSTRATION: ELEMENT BATH FILLER

BAR CODE: 5060168228703

COLOUR: CHROME PLATE

WEIGHT:

NET 2.1 kg (tap only)

GROSS 2.37 kg

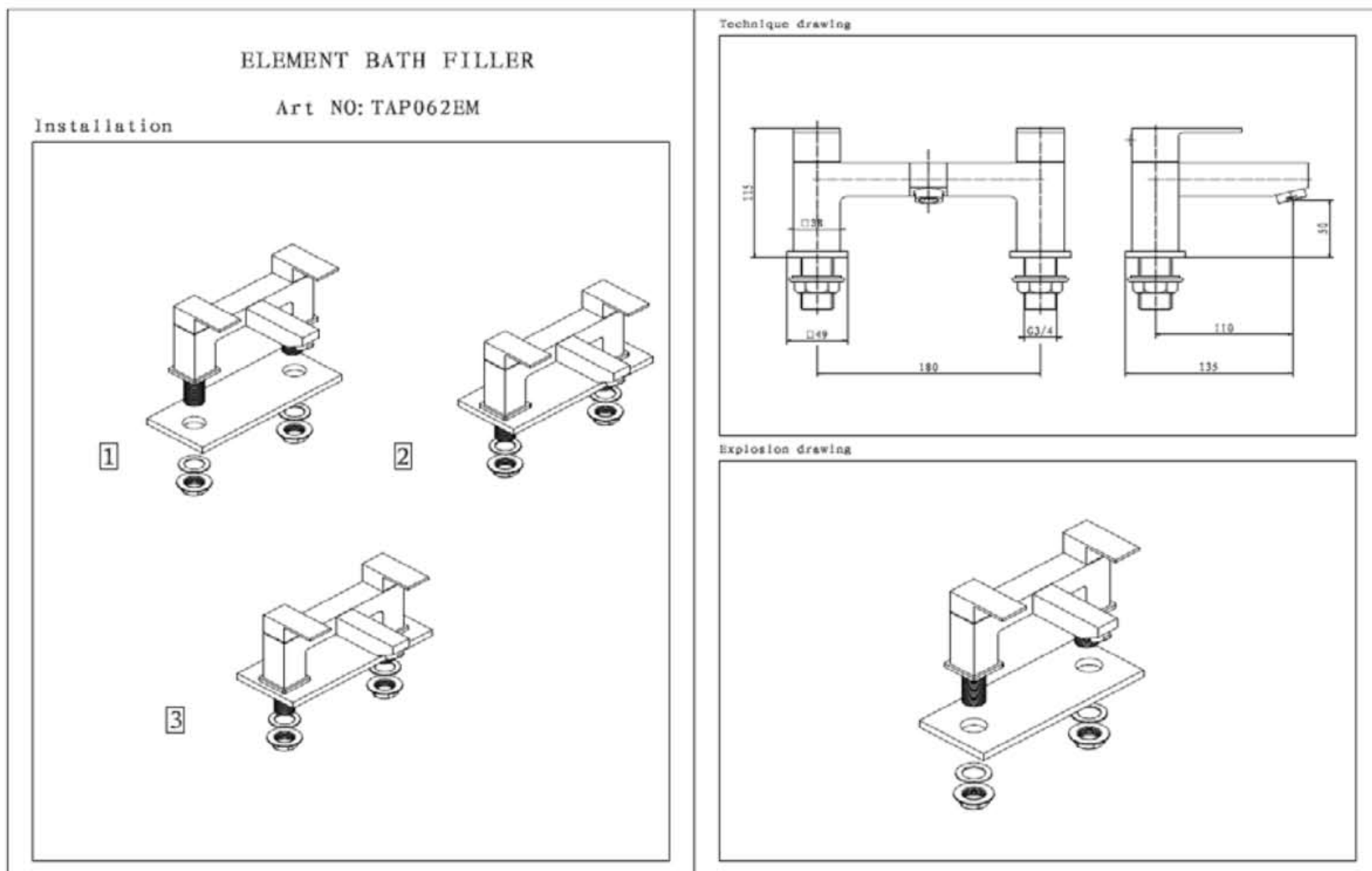
STANDARDS: BS EN 200

NOTES:

**3/4" BSP CONNECTIONS
CERAMIC DISC TECHNOLOGY**

Flow Rate: L.P

0.2bar	0.5bar	1bar	2bar	3bar
14.4L/min	19.5L/min	26.5L/min	N/A	N/A



BOX SIZE 250 x 170 x 155 mm