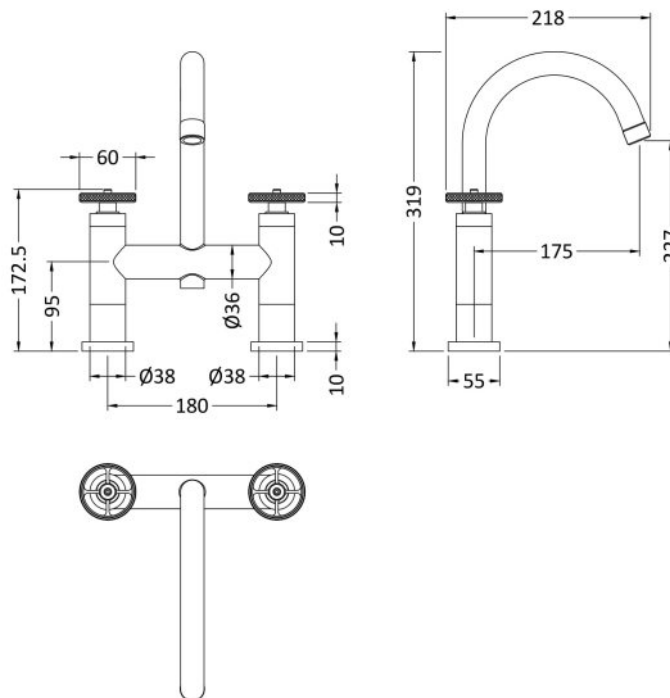


Sales Code: TIW353

Description: Industrial Deck Mounted Bath Filler



Product Dimensions

Height (mm):	319
Width (mm):	230
Depth (mm):	50
Length (mm):	
Nett Weight (kg):	3

Packaging Dimensions

Height (mm):	100
Width (mm):	235
Depth (mm):	265
Gross Weight (kg):	3.1

Packaging Data

Box Colour:	White Cardboard Box
Box Qty:	1
Label Size:	100 x 50
Label Colour:	White Label
Label Qty:	2

Outer Box Dimensions (If Applicable)

Height (mm):	320
Width (mm):	495
Depth (mm):	295
Length (mm):	
Gross Weight (kg):	19
Barcode:	5056211855026

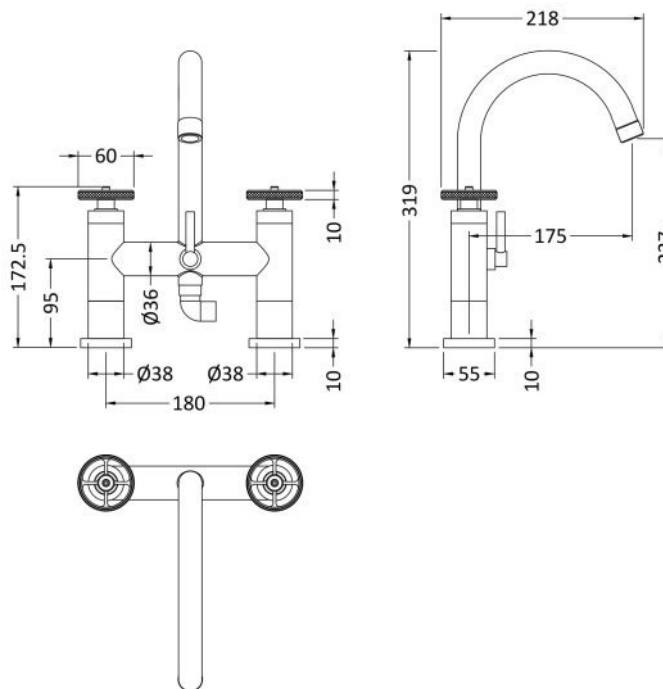
Product Details

Country of Origin:	United Kingdom
Fitting Instruction:	No
Product Material:	Brass
Control Type:	Manual
Waste Included:	Waste Not Included
Waste Type:	Not Applicable
WRAS Approval:	No
Approval No:	N/A
Valve/Cartridge Type:	1/4 Turn Ceramic Disc
Colour/Finish:	Chrome
Mount Type:	Deck
Operating Pressure (bar):	0.2

Flow Rates: (Litres Per Min)	0.1 bar: 8	0.5 bar: 29	1 bar: 40	2 bar: 48	3 bar: 0
Pipe Size:	22 mm (3/4" Bsp)				
Pipe Centres:	180 mm				

Sales Code: TIW354

Description: Industrial Deck Mounted Bsm



Product Dimensions

Height (mm):	319
Width (mm):	230
Depth (mm):	50
Length (mm):	
Nett Weight (kg):	4.3

Packaging Dimensions

Height (mm):	140
Width (mm):	235
Depth (mm):	265
Gross Weight (kg):	4.4

Packaging Data

Box Colour:	White Cardboard Box
Box Qty:	1
Label Size:	100 x 50
Label Colour:	White Label
Label Qty:	2

Outer Box Dimensions (If Applicable)

Height (mm):	315
Width (mm):	490
Depth (mm):	280
Length (mm):	
Gross Weight (kg):	18
Barcode:	5056211855040

Product Details

Country of Origin:	United Kingdom
Fitting Instruction:	No
Product Material:	Brass/ABS
Control Type:	Manual
Waste Included:	Waste Not Included
Waste Type:	Not Applicable
WRAS Approval: No	Approval No: N/A
Valve/Cartridge Type:	1/4 Turn Ceramic Disc
Colour/Finish:	Chrome
Mount Type:	Deck
Operating Pressure (bar):	0.2

Flow Rates: (Litres Per Min)	0.1 bar: 7	0.5 bar: 22	1 bar: 29	2 bar: 39	3 bar: 44
Pipe Size:	22 mm (3/4" Bsp)				
Pipe Centres:	N/A				