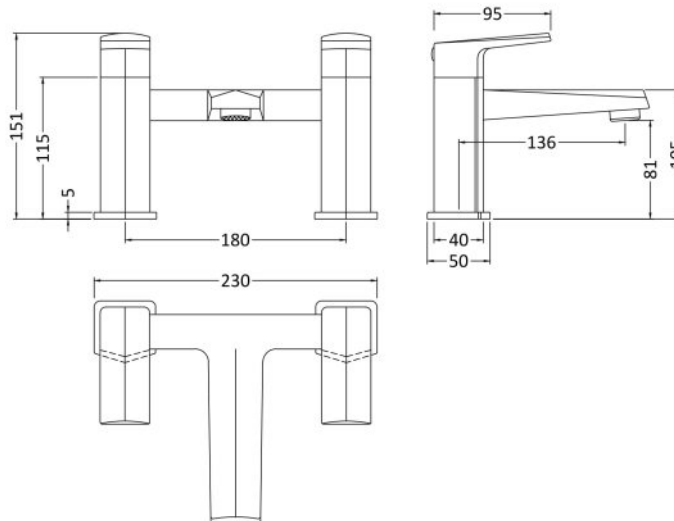


Sales Code: HDY303

Description: Hardy Bath Filler



Product Dimensions

| | |
|-------------------|------|
| Height (mm): | 151 |
| Width (mm): | 230 |
| Depth (mm): | 175 |
| Length (mm): | |
| Nett Weight (kg): | 2.39 |

Packaging Dimensions

| | |
|--------------------|------|
| Height (mm): | 170 |
| Width (mm): | 240 |
| Depth (mm): | 225 |
| Gross Weight (kg): | 2.39 |

Packaging Data

| | |
|---------------|---------------------|
| Box Colour: | White Cardboard Box |
| Box Qty: | 1 |
| Label Size: | 100 x 50 |
| Label Colour: | White Label |
| Label Qty: | 2 |

Outer Box Dimensions (If Applicable)

| | |
|--------------------|---------------|
| Height (mm): | 185 |
| Width (mm): | 260 |
| Depth (mm): | 180 |
| Length (mm): | |
| Gross Weight (kg): | |
| Barcode: | 5055275883020 |

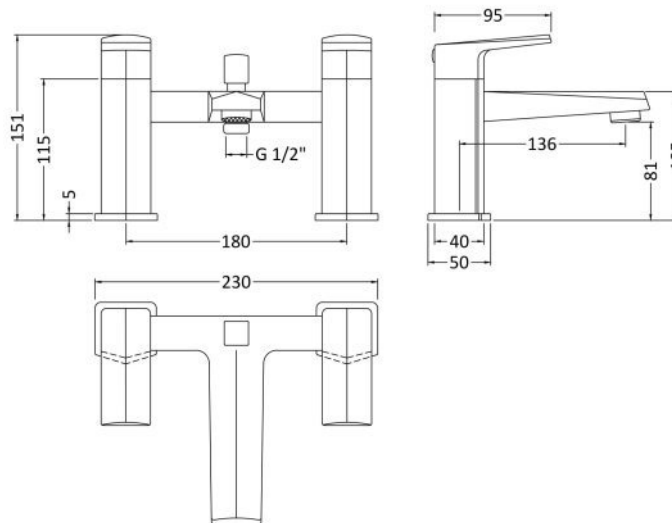
Product Details

| | |
|---------------------------|-----------------------|
| Country of Origin: | China |
| Fitting Instruction: | No |
| Product Material: | Brass |
| Control Type: | Manual |
| Waste Included: | Waste Not Included |
| Waste Type: | Not Applicable |
| WRAS Approval: No | Approval No: N/A |
| Valve/Cartridge Type: | 1/4 Turn Ceramic Disc |
| Colour/Finish: | Chrome |
| Mount Type: | Deck |
| Operating Pressure (bar): | 0.1 |

| | | | | | |
|------------------------------|------------------|---------------|-------------|-------------|-------------|
| Flow Rates: (Litres Per Min) | 0.1 bar: 4.9 | 0.5 bar: 11.8 | 1 bar: 17.1 | 2 bar: 24.2 | 3 bar: 29.8 |
| Pipe Size: | 22 mm (3/4" Bsp) | | | | |
| Pipe Centres: | 180 mm | | | | |

Sales Code: HDY304

Description: Hardy Bsm



Product Dimensions

| | |
|-------------------|------|
| Height (mm): | 151 |
| Width (mm): | 230 |
| Depth (mm): | 151 |
| Length (mm): | |
| Nett Weight (kg): | 2.93 |

Packaging Dimensions

| | |
|--------------------|------|
| Height (mm): | 170 |
| Width (mm): | 250 |
| Depth (mm): | 225 |
| Gross Weight (kg): | 2.93 |

Packaging Data

| | |
|---------------|---------------------|
| Box Colour: | White Cardboard Box |
| Box Qty: | 1 |
| Label Size: | 100 x 50 |
| Label Colour: | White Label |
| Label Qty: | 2 |

Outer Box Dimensions (If Applicable)

| | |
|--------------------|---------------|
| Height (mm): | 185 |
| Width (mm): | 255 |
| Depth (mm): | 175 |
| Length (mm): | |
| Gross Weight (kg): | |
| Barcode: | 5055275883013 |

Product Details

| | |
|---------------------------|-----------------------|
| Country of Origin: | China |
| Fitting Instruction: | No |
| Product Material: | Brass/ABS |
| Control Type: | Manual |
| Waste Included: | Waste Not Included |
| Waste Type: | Not Applicable |
| WRAS Approval: No | Approval No: N/A |
| Valve/Cartridge Type: | 1/4 Turn Ceramic Disc |
| Colour/Finish: | Chrome |
| Mount Type: | Deck |
| Operating Pressure (bar): | 0.2 |

Flow Rates: (Litres Per Min) 0.1 bar: 5.7 0.5 bar: 13.4 1 bar: 19.4 2 bar: 27.5 3 bar: 34

Pipe Size: 22 mm (3/4" Bsp)

Pipe Centres: 175 mm