

# Technical Data Sheet

# ROPER RHODES®

## Storm Bath Filler - T223202

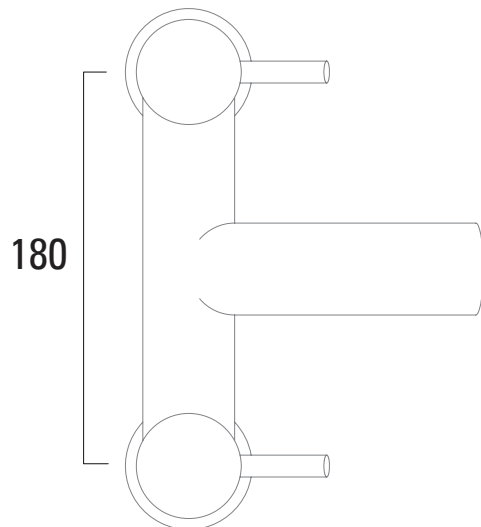
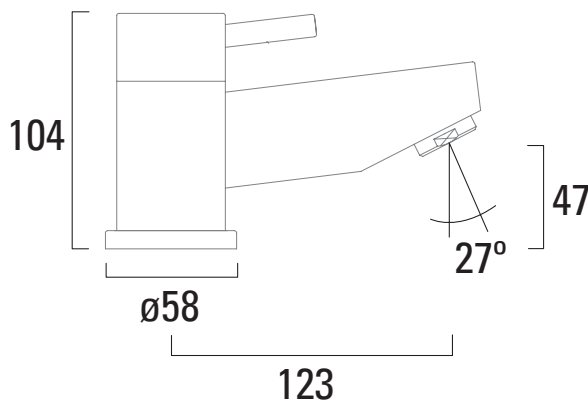
No.	Description	Code	Fixings Included
1	Storm Bath Filler	T223202	YES



Min Pressure:	0.2bar
0.2bar	11.8 litres / min
0.3bar	14.7 litres / min
0.4bar	15.8 litres / min
0.5bar	17.6 litres / min
1bar	22.4 litres / min
2bar	31.2 litres / min

## Dimensions - T223202

Diagrams not to scale. All dimensions in mm (tolerance of +/-5mm)



\*Dimensions are subject to change, customers are advised to measure actual product before commencing installation.

## FAQs

**Does the tap come fitted with an aerator?** Yes, the aerator comes pre-installed but can be replaced.

**What size plumbing fittings are needed for the threaded legs?** This product will work with standard 3/4" plumbing fittings.

# Technical Data Sheet

# ROPER RHODES®

Storm Bath Shower Mixer - T224002

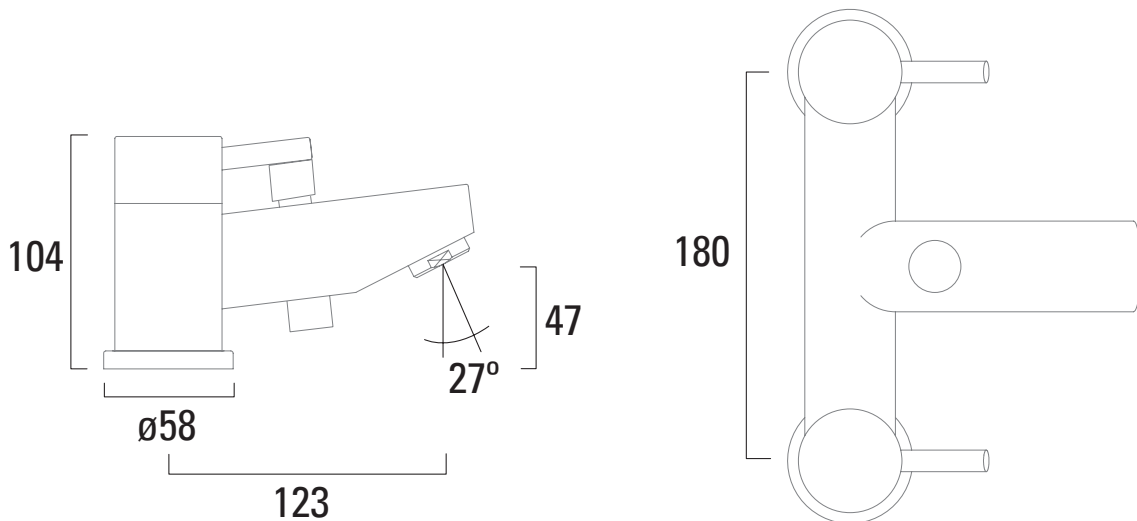
No.	Description	Code	Fixings Included
1	Storm Bath Shower Mixer	T224202	YES



Min Pressure:	0.2bar
0.2bar	11 litres / min
0.3bar	12.6 litres / min
0.4bar	13.7 litres / min
0.5bar	14 litres / min
1bar	15.9 litres / min
2bar	23 litres / min

## Dimensions - T224202

Diagrams not to scale. All dimensions in mm (tolerance of +/-5mm)



\*Dimensions are subject to change, customers are advised to measure actual product before commencing installation.

## FAQs

**Does the tap come fitted with an aerator?** Yes, the aerator comes pre-installed but can be replaced.

**What size plumbing fittings are needed for the threaded legs?** This product will work with standard 3/4" plumbing fittings.

**What size are the connections for the shower hose?** The threaded connections on the shower hose are a standard 1/2" BSP connection.